

mix·mill

8 x 8

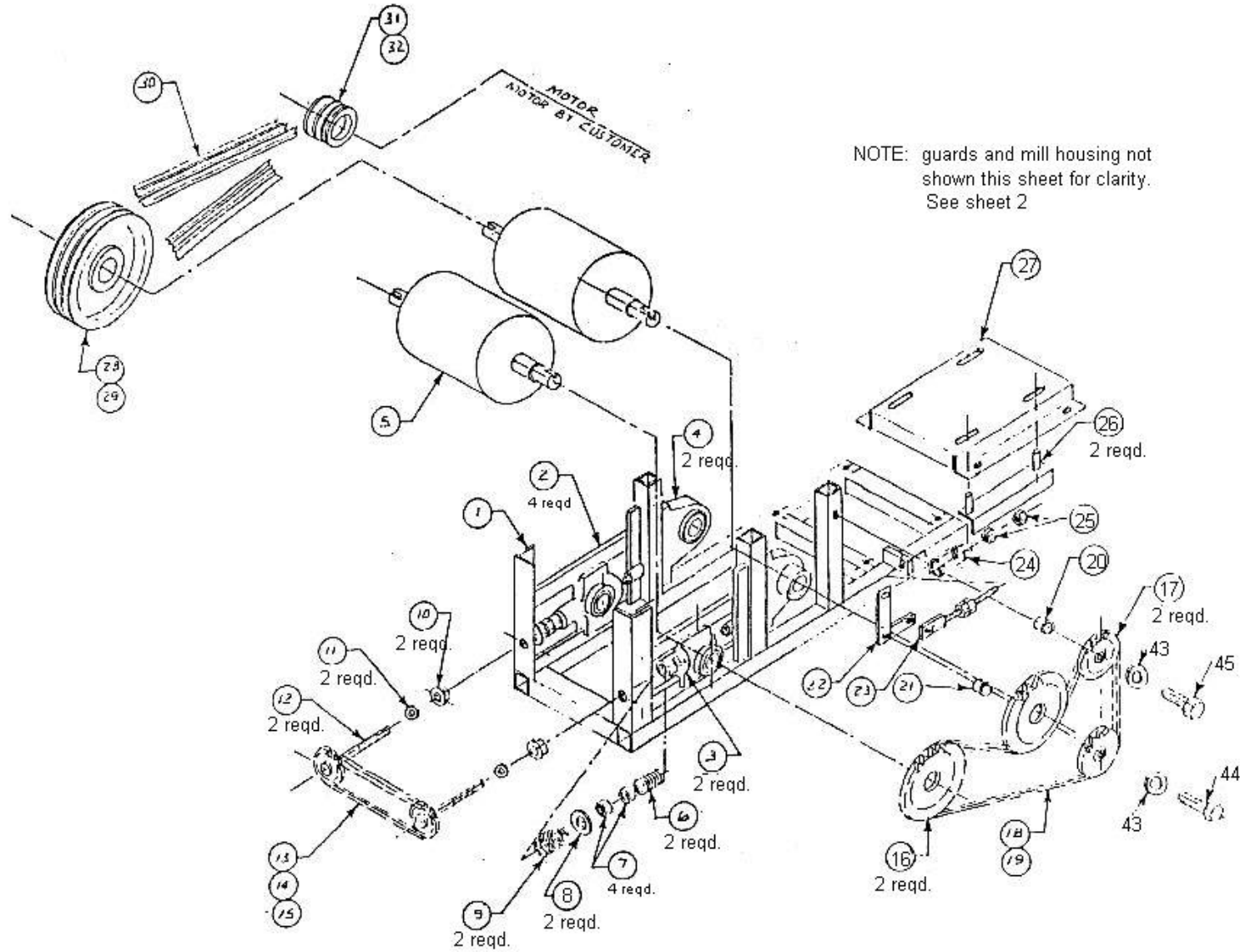
Roller Mill

A. T. Ferrell Company Inc.
1440 S. Adams St.
Bluffton, IN 46714
260-824-3400 Phone
260-824-8318 Fax

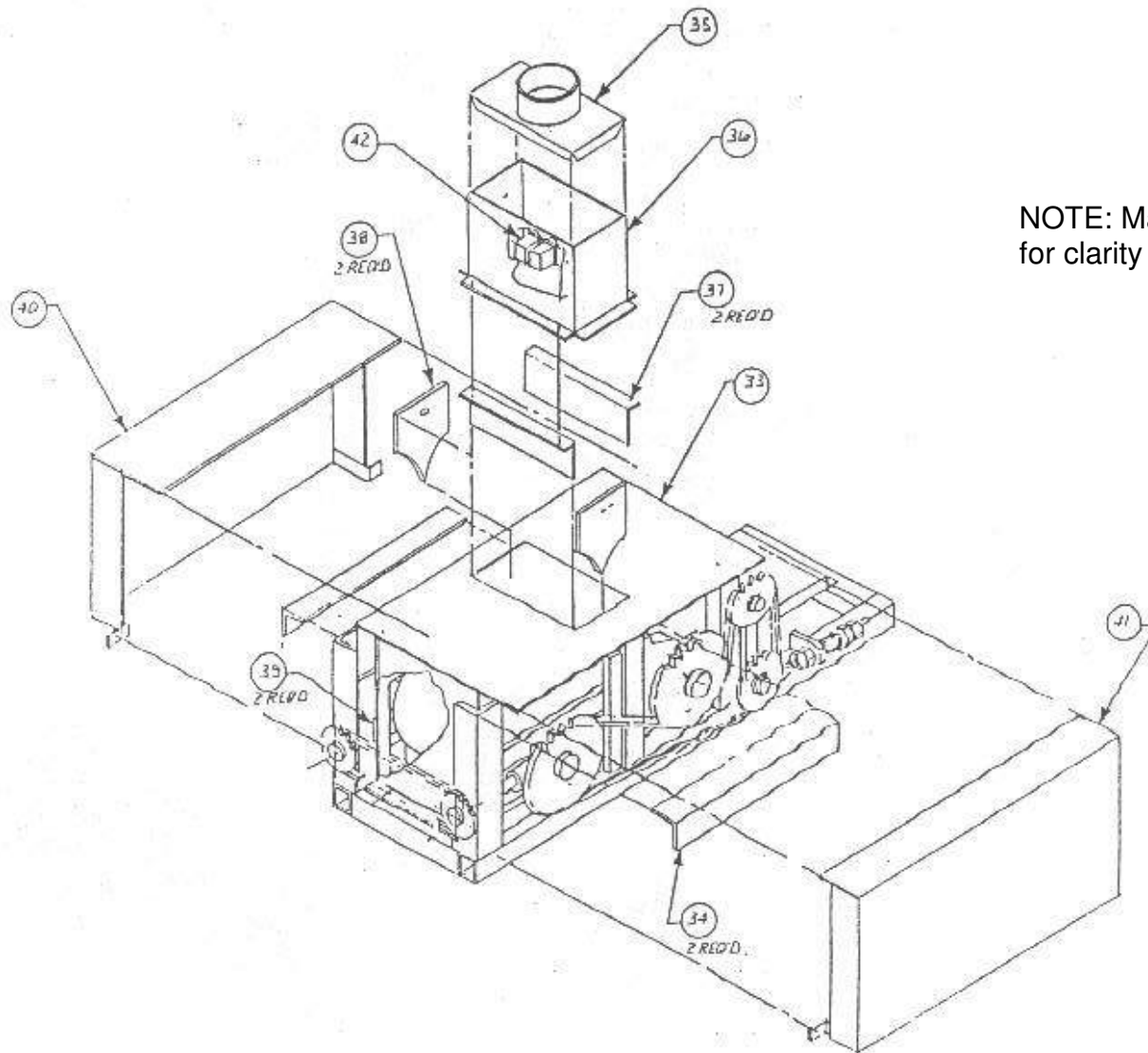
8 x8 Mill Roll Assembly

Item #	Part Number	Quantity	Description
1	90001079	1	Base Frame Weldment
2	11219640	4	Bar Take-Up Bearing Support
3	11218430	2	Take-Up Bearing Modifications
4	40000020	2	Bearing 1-7/16 Bore P.B.
5	11218010	2	Roll 8x8Finished (Specify Corrugation)
6	11218280	2	Take-Up Bushing Threaded Insert
7	66105800	4	5/8-11 UNC Hex Jam Nut Plated
8	11220230	2	Adjusting Sprocket w/shr.
9	70008023	2	Die Spring 13/16 x 1- 7/16
10	11218490	2	Sprocker & Adjuster Bushing
11	66405800	2	5/8 Diameter Flat Washer Plated
12	90001018	2	Adjusting Sprocket Assembly
13	F93000005	1	#41 Roller Chain Connecting Link
14	F93000008	1	#41 Roller Chain
15	F93041000	3Ft.	#41 Roller Chain
16	46142517	2	Sprocket 50BS 25 1-7/16 Bore
17	92001347	2	Sprocket and Bearing Assembly
18	F93000007	1	#50 Roller Chain Connecting Link
19	F9304900	5Ft.	#50 Roller Chain
20	112184290	1	Spacer-Upper Idler Sprocket
21	11218291	1	Spacer-Lower Idler Sprocket
22	90001026	1	Idler Are Assembly
23	90001027	1	Tension Rod Assembly
24	70008022	1	Die Spring 3/8 x 3/4 x 2
25	66084400	4	3/8 Hex Nuts
26	90001006	2	Angle Assembly Motor Base
27	11218530	1	Motor Mounting Plate
28	43133212	1	Sheave 3/3V 10.6 SK
29	44010917	1	Bushing QD SK 1.4375
30	45406048	3	V-Belt 3V x 47.5
31	43133053	1	Sheave 3/3V 2.65 JA
32	44010112	1	Bushing QDJA 1.125
33	90001080	1	Roll Housing 8 x 8 Mill
34	11219790	2	Top Support
35	90001084	1	Hopper Lid 8 x 8 mill
36	90001083	1	Hopper Weldment 8 x 8 mill
37	11219760	2	Chute Front 8 x 8 mill
38	11220180	2	Saddle 8 x 8 Mill
39	11219650	2	Dust Seal 8 x 8 Mill
40	90001082	1	Belt Guard 8 x 8MillChain guard 8x/8 Mill
41	90001081	1	Chain guard 8 x 8 mill
42	80008001	2	Ceramic Steel Mill Magnet
43	66405800	4	5/8 Diameter Flat Washer
44	62585830	1	5/8-11 UNC x 1-3/4 H.H.C.S
45	62585837	1	5/8-11 UNC x 2-1/2 H.H.C.S

8 x 8 Mill Roll Assembly (part 1)



8x8 mill roll assembly (part 2)



NOTE: Machinery not shown this sheet for clarity see sheet 1.

ROLLER ASSEMBLY

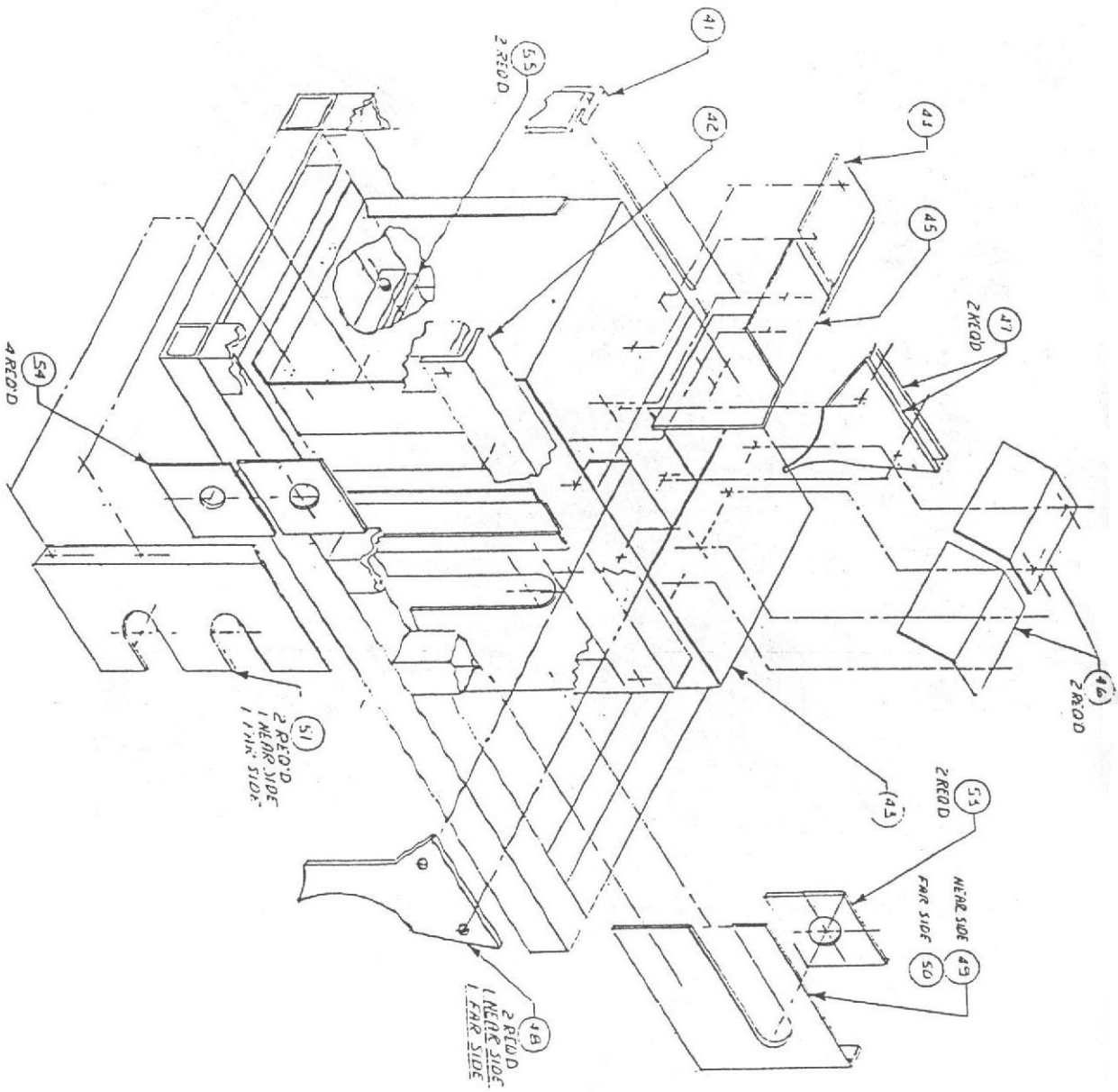
ITEM #	PART NUMBER	QNTY	DESCRIPTION
1	90001012	1	Base/frame Weldment-Ultra 3
2	11218720	1	10" Roll-Specify Corrugation
3	11218880	2	5" Roll-Specify Corrugation
4	40000091	2	Pillow Block Bearing 1.750"
5	46142518	1	Sprocket, 50BS25 1.500 Bore
6	62585228	4	1/2-13UNC x 1.5 Hex HD Cap Screw
7	66405200	4	1/2 Diameter Flat Washer Plate
8	66445200	4	1/2 Diameter Lock Washer Plate
9	43133280	1	Sheave 3 Groove 3V14.0
10	44010918	1	Bushing, QD SK 1.500 KW
11	11218430	4	Take-up Bearing Modification
12	11218280	4	Take-up Bushing Threaded Insert
13	66105800	8	5/8-11 UNC Hex Jam Nut
14	66405800	4	5/8 Diameter Flat Washer Plate
15	70008023	4	Die Spring 13/16 x 1-7/16
16	11218490	4	Sprocket & Adjuster Bushing
17	90001018	4	Adjusting Sprocket Assembly
18	112182952	2	Adjusting Sprocket Spacer
19	46021504	2	Sprocket 41 A 15
20	61285233	2	1/2-13UNC x 2.0 Soclet Hd. Cap Screw
21	F93000005	2	#41 Roller Chain Connecting Link
22	F93000008	2	#41 Roller Chain Offset Conn Link
23	F93041000	2	#41 Roller Chain 3' OLD
24	11218320	6	Bar Take-up Bearing Support Ultra #
25	46141517	2	Sprocket 20 BS15 1-1/16
26	92001347	2	Sprocket & Bearing Assembly
27	11218291	1	Lower Idler Sprocket Spacer
28	11218290	1	Upper Idler Sprocket Spacer
29	F93000007	1	# 50 Roller Chain Connecting Links
30	F93049000	1	#50 Roller Chain (83 Pitches)
31	F93000006	1	#50 Roller Chain Offset Link
32	90001026	1	Idler Arm Assembly Ultra 3
33	90001027	1	Tension Rod Assembly
34	70008022	1	Die Spring 3/8 x3/4x2
35	66084400		3/8-16 UNC Hex Nut
36	F70010512	2	1/2 x1/2 Sch HD Shd. Bolt 3/8-16
37	62585832	1	5/8-11 UNC x 2-1/2 H.H.C.S.
38	62585830	1	S/a-11 UNC x 1-3/4 H.H.C.S.
39	11218530	1	Motor Mounting Plate
40	90001006	2	Angle Assembly Motor Base
41	11218300	1	Top Support L.H.
42	11218301	1	Top Support R.H.
43	90001013	1	Roll Housing Ultra 3
44	11218090	1	Chute Top Back Ultra 3
45	11218100	1	Chute Bottom Back Ultra #
46	11218110	1	Chute, Frong Ultra 3

ROLLER ASSEMBLY

ITEM #	PART NUMBER	QNTY	DESCRIPTION
47	11218130	2	Saddle Top Pan Ultra 3
48	11218120	2	Saddle Bottom Back Ultra 3
49	11218190	1	Retainer Front Dust Seal Ultra 3
50	11218191	1	Retainer Front Dust Seal Ultra 3
51	11218180	2	Retainer Rear Dust Seal Ultra 3
52	11218210	2	Seal Dust Ultra 3
53	11218211	4	Seal Dust Ultra 3
54	11220120	2	Scraper Bar Ultra 3
55	90001043	1	Roll Adjusting Sprocket Assembly
56	43133053	1	Q.D. Sheave 3 V Sect 3 Grv 2.65 OD (JA)
57	44010112	1	Q.D. Bushing JAS12E x 1.125 Bore
58	45406053	3	V-Belt 3V x 530
59	SEE NOTE	1	Motor

NOTE:	33000814	5HP	575 Volts	3S18 0/6 TEFC
	33000800	5HP	3 Phase	3D18 0/6 TEFC
	33000302	5HP	1 Phase	1D18 0/6 TEFC

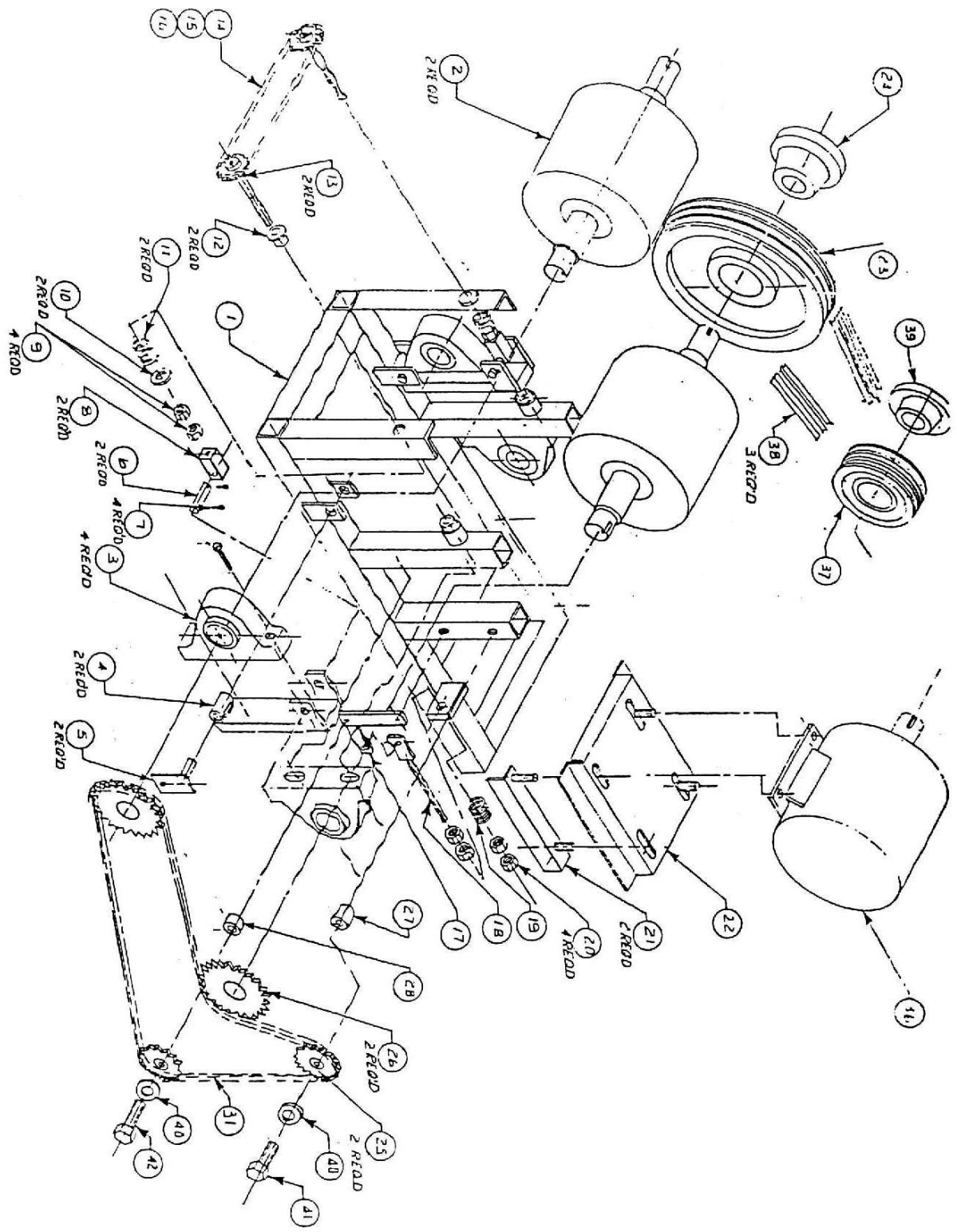
Roller Assembly Cont.



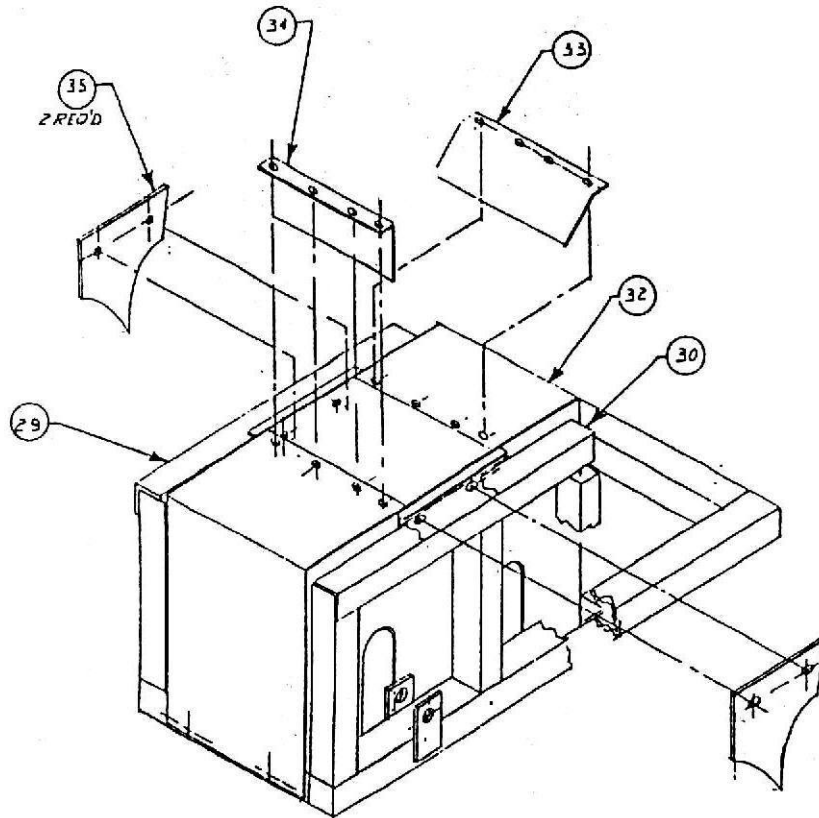
2 Roll Mill Assembly

Item Number	Part Number	Qty	Description
1	90001067	1	Base Frame Weldment 2 Roll
2	11218710	2	10" Roll- Specify Corrugation
3	40000091	4	Bearing Block
4	90001066	2	Front Bearing Mount Weldment
5	90001061	2	Pivot Block & Pin Assembly
6	11219420	2	Pin Front Bearing Mount
7	F82800040	4	Pin-Cotter 3/32 x 1
8	11219450	2	Adjusting Block
9	66105800	4	5/8 11 Hex Jam Nut
10	66405800	2	5/8 Flat Washer
11	70008023	2	Spring .813 x 1.438x2.750
12	11218490	2	Sfprocket and Adjuster Bushing
13	90001018	2	Adjusting Sprocket Assembly
14	F93000005	1	Chain Link #41 Spring Lock
15	F93000008	1	Chain Link #41 Offset
16	F93041000	3Ft.	Chain # 41 Roller Riveted
17	90001026	1	Idler Arm assembly
18	90001027	1	Tension Rod Weld
19	70008022	1	Spring .375 x .750 x .200
20	66084400	4	3/8-16 Hex Nut
21	90001006	2	Angle Assembly Motor Base
22	11218530	1	Motor Mounting Plate
23	43133280	1	Sheave 3/3V 14.0
24	44010918	1	Bushing QD SIC 1.500 Bore
25	92001347	2	Sprocket and Bearing Assembly
26	46142518	2	Sprocket, 50 BS25 1.500 Bore
27	11218290	1	Spacer Top
28	1121891	1	Spacer Bottom
29	11218300	1	Top Support (L.H.)
30	11218301	1	Top Support (R.H.)
31	F93049000	5Ft.	Chain # 50 Roller Riveted Lubed
32	90001062	1	Roll Housing Weldment
33	11219480	1	Chute Back 2 Roll
34	11219490	1	Chute Front
35	11219470	2	Saddle 2 Roll
36		1	Motor Mounting Plate
37		1	Sheave 3v Motor
38		3	3V Vbelts
39		1	Bushing QD SK Motor

2 Roll Mill Assembly (Part 1)



2 Roll Mill Assembly (Part 2)



APPENDIX A

BOOK VALUE OF COMMON FEED STUFFS ON "AS FED" BASIS

Ingredient	% Protein	% Moisture	% Calcium	% Phosphorus
Corn	8.5	14	0.05	0.25
Corn, High Moisture	7.4	27	0.04	0.22
Oats	11.0	10	0.10	0.35
Barley	11.5	11	0.08	0.42
Wheat	13.5	12	0.05	0.41
Mixed Grain	11.3	12	0.09	0.39
Brewers Grains, Dried	27.0	7	0.30	0.60
Soybeans, Raw Full Fat	37.0	13	0.25	0.60
Soybeans Roasted	38.0	10	0.25	0.60
Soybean Meal, Western	46.5	12	0.30	0.60
Soybean Meal, Lo Protein	44.0	12	0.25	0.60
Soybean Meal, Hi Protein	48.0	12	0.20	0.65
Corn Gluten Feed	21.0	12	0.20	0.90
Corn Gluten Meal	60.0	10	0.20	0.70
Corn Distillers	27.0	9	0.35	1.30
Limestone	0.0	2	38.00	0.00
Molasses, Dried	7.0	9	1.20	0.90



A.T. Ferrell Company Inc.
Manufactures of:
Mx-MII
1440 South Adams Street
Bluffton, Indiana 46714
Phone (260) 824-3400----Fax (260) 824-5463
(800) 248-8318
www.atferrell.com
atferrell@atferrell.com