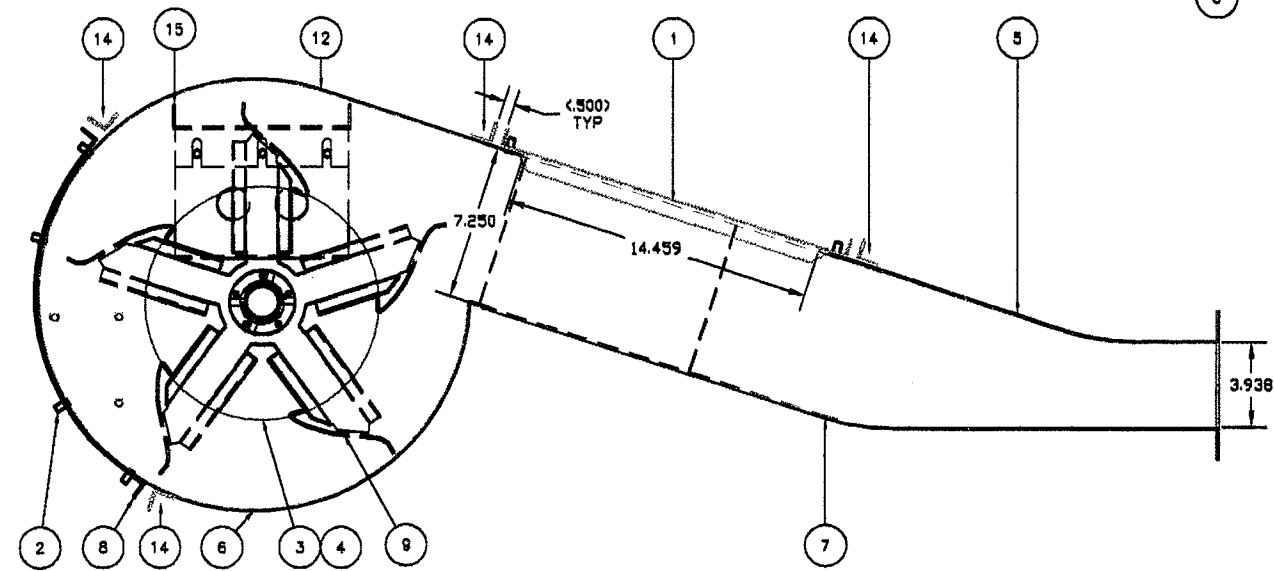


This drawing is the property of Bluffton Agri/Industrial Corp. and must be returned immediately upon request. No part of this drawing may be reproduced, stored in a retrieval system or transmitted in any form or by any means, without the prior written consent of Bluffton Agri/Industrial Corp.



NOTES:  
 1: DO NOT SCALE FROM DRAWING.  
 2: USE HATCHES & DOOR AS WELDING FIXTURES.  
 3: WELD ALL COMPONENTS OUTSIDE, CORNER-TO-CORNER 1/8", 1-3".  
 4: SEAL WITH CAULK INSIDE, AFTER PAINTING.

Item	PART NUMBER	Qty	DESCRIPTION
15	F81003098	1	BRNG MNT WLDMT, BTM DUAL FAN, CNGST
14	F81003095	4	SUPPORT, ANG, BTM DUAL FAN, CNGST
13	F81003094	1	SCROLL, UPPER LH, BTM DUAL FAN, CNGST
12	F81003093	1	SCROLL, UPPER RH, BTM DUAL FAN, CNGST
11	F81003092	1	SIDE, INNER LH, BTM DUAL FAN, CNGST
10	F81003091	1	SIDE, INNER RH, BTM DUAL FAN, CNGST
9	F81003070	2	FAN ASSY, BTM DUAL FAN, CNGST
8	F81003068	2	HATCH, SCROLL, BTM DUAL FAN, CNGST
7	F81003062	1	BTM REAR, BTM FAN, CNGST
6	F81003061	2	SCROLL, BTM, BTM FAN, CNGST
5	F81003059	1	TOP, BTM FAN, CNGST
4	F81003057	1	SIDE, RH, BTM DUAL FAN, CNGST
3	F81003056	1	SIDE, LH, BTM DUAL FAN, CNGST
2	F81003010	4	HATCH MOUNT, BTM FAN, CNGST
1	F11308987	1	DOOR, TOP AIR CHAMBER 508

CAD  
 NO MANUAL CHANGES  
 TOLERANCES (UNLESS AS NOTED)  
 DECIMAL FRACTIONS  
 1/16 1/8 3/16 1/4 3/8 1/2 5/8 3/4 7/8 1 1 1/8 1 1/4 1 3/8 1 1/2 1 5/8 1 3/4 1 7/8 2 2 1/8 2 1/4 2 3/8 2 1/2 2 5/8 2 3/4 2 7/8 3 3 1/8 3 1/4 3 3/8 3 1/2 3 5/8 3 3/4 3 7/8 4 4 1/8 4 1/4 4 3/8 4 1/2 4 5/8 4 3/4 4 7/8 5 5 1/8 5 1/4 5 3/8 5 1/2 5 5/8 5 3/4 5 7/8 6 6 1/8 6 1/4 6 3/8 6 1/2 6 5/8 6 3/4 6 7/8 7 7 1/8 7 1/4 7 3/8 7 1/2 7 5/8 7 3/4 7 7/8 8 8 1/8 8 1/4 8 3/8 8 1/2 8 5/8 8 3/4 8 7/8 9 9 1/8 9 1/4 9 3/8 9 1/2 9 5/8 9 3/4 9 7/8 10 10 1/8 10 1/4 10 3/8 10 1/2 10 5/8 10 3/4 10 7/8 12 12 1/8 12 1/4 12 3/8 12 1/2 12 5/8 12 3/4 12 7/8 14 14 1/8 14 1/4 14 3/8 14 1/2 14 5/8 14 3/4 14 7/8 16 16 1/8 16 1/4 16 3/8 16 1/2 16 5/8 16 3/4 16 7/8 18 18 1/8 18 1/4 18 3/8 18 1/2 18 5/8 18 3/4 18 7/8 20 20 1/8 20 1/4 20 3/8 20 1/2 20 5/8 20 3/4 20 7/8 24 24 1/8 24 1/4 24 3/8 24 1/2 24 5/8 24 3/4 24 7/8 30 30 1/8 30 1/4 30 3/8 30 1/2 30 5/8 30 3/4 30 7/8 36 36 1/8 36 1/4 36 3/8 36 1/2 36 5/8 36 3/4 36 7/8 48 48 1/8 48 1/4 48 3/8 48 1/2 48 5/8 48 3/4 48 7/8 60 60 1/8 60 1/4 60 3/8 60 1/2 60 5/8 60 3/4 60 7/8 72 72 1/8 72 1/4 72 3/8 72 1/2 72 5/8 72 3/4 72 7/8 96 96 1/8 96 1/4 96 3/8 96 1/2 96 5/8 96 3/4 96 7/8 120 120 1/8 120 1/4 120 3/8 120 1/2 120 5/8 120 3/4 120 7/8 144 144 1/8 144 1/4 144 3/8 144 1/2 144 5/8 144 3/4 144 7/8 180 180 1/8 180 1/4 180 3/8 180 1/2 180 5/8 180 3/4 180 7/8 240 240 1/8 240 1/4 240 3/8 240 1/2 240 5/8 240 3/4 240 7/8 300 300 1/8 300 1/4 300 3/8 300 1/2 300 5/8 300 3/4 300 7/8 360 360 1/8 360 1/4 360 3/8 360 1/2 360 5/8 360 3/4 360 7/8 480 480 1/8 480 1/4 480 3/8 480 1/2 480 5/8 480 3/4 480 7/8 600 600 1/8 600 1/4 600 3/8 600 1/2 600 5/8 600 3/4 600 7/8 720 720 1/8 720 1/4 720 3/8 720 1/2 720 5/8 720 3/4 720 7/8 960 960 1/8 960 1/4 960 3/8 960 1/2 960 5/8 960 3/4 960 7/8 1200 1200 1/8 1200 1/4 1200 3/8 1200 1/2 1200 5/8 1200 3/4 1200 7/8

APPROVED BY: [Signature]  
 DATE: 6/3/00  
 DRAWING NO.: F81003055  
 SHEET: 1 of 1