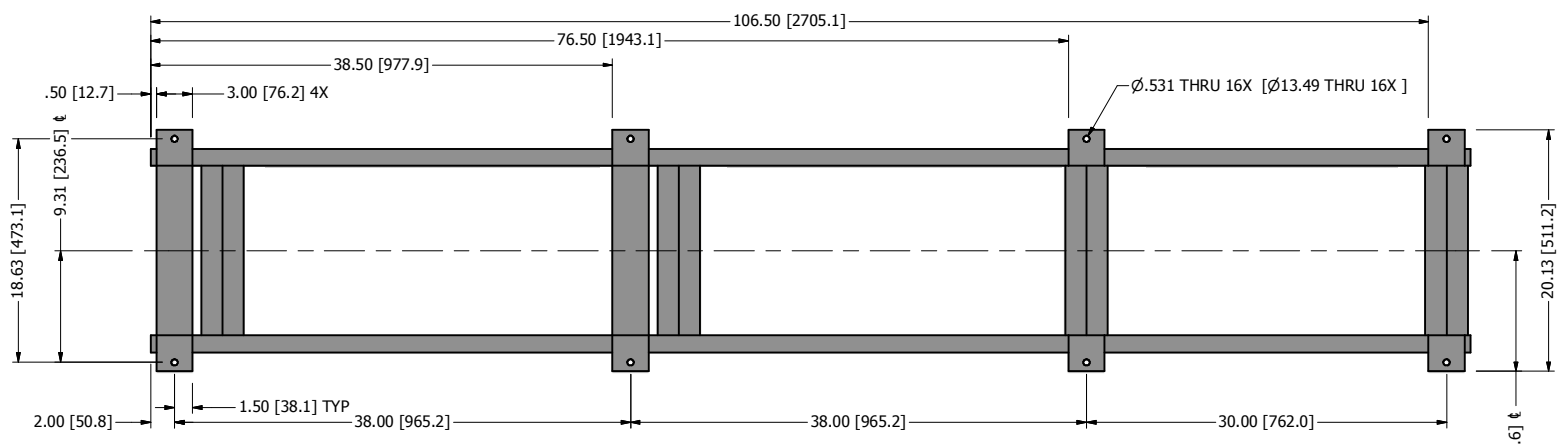
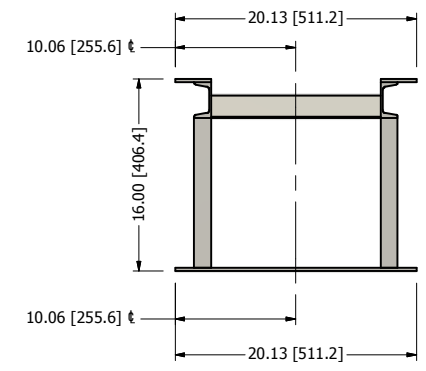
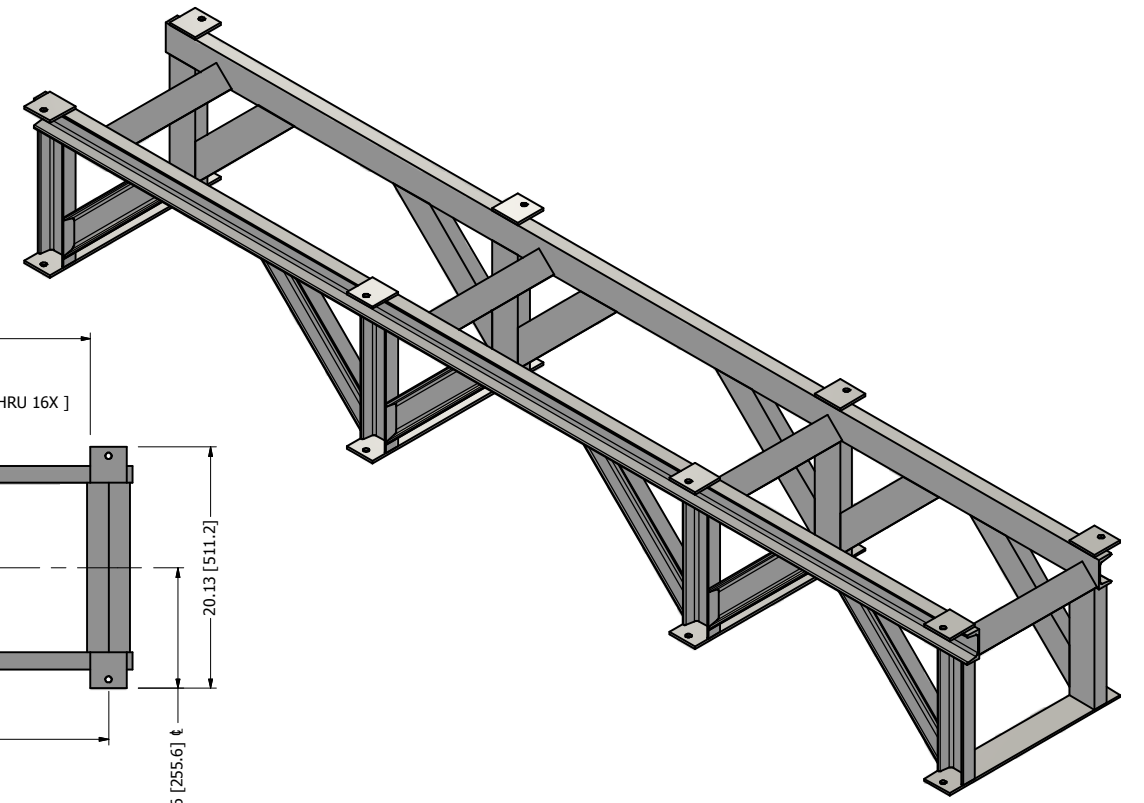


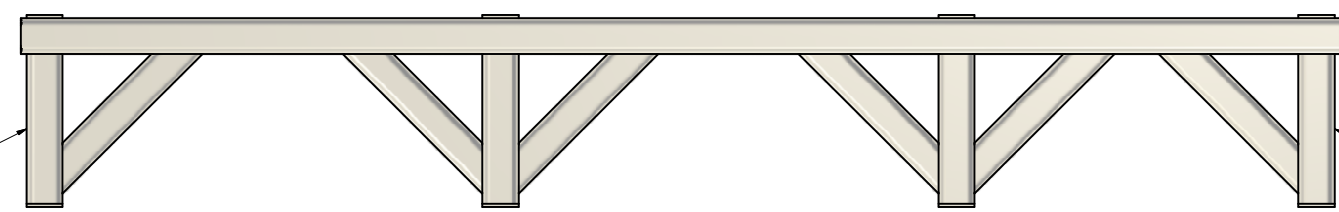
REVISION HISTORY				
REV	ECN	DESCRIPTION	DATE	APPROVED
A	F100213	RELEASE	9/15/2010	dmjohnson



TOP VIEW, CONVEYOR MOUNTING DETAIL

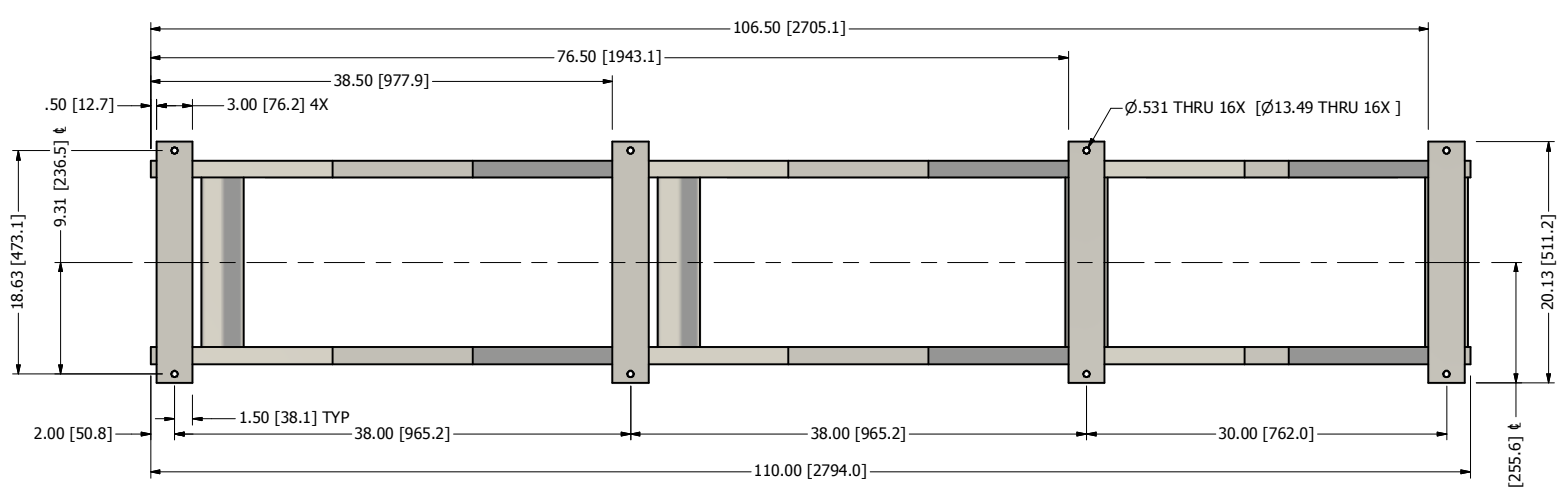
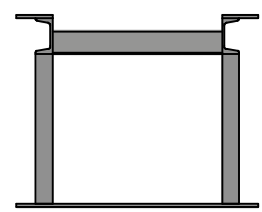


CONVEYOR DISCHARGE END




RIGHT SIDE VIEW

CONVEYOR DRIVE END



BOTTOM VIEW, FLOOR MOUNTING DETAIL

- NOTES:
- DO NOT SCALE FROM DRAWING.
 - ALTERNATIVE DIMENSIONS [X.X] IN MILLIMETERS.
 - STAND DESIGNED FOR F51001209: CONVEYOR, SUPER VIBRATORY 12", 9'.
 - BOTTOM OF CONVEYOR PAN 21.50" [546.1] FROM FLOOR.

This drawing is the property of the A.T. Ferrell Company, Inc and must be returned immediately upon request. No part of this drawing may be reproduced, stored in a retrieval system or transmitted in any form or by any means, without prior written consent of the A.T. Ferrell Company, Inc.	CAD NO MANUAL CHANGES			
	TOLERANCES EXCEPT AS NOTED	DIVISION OF A. T. FERRELL COMPANY	BLUFFTON, INDIANA - USA	
	DECIMAL: .005 .01 .030 FRACTIONAL: 1/32 ANGULAR: 1/2	FINISH: PAINT LT. GRAY	SCALE: 1:8	DRAWN BY: dmjohnson APPROVED BY: DMJ
	TITLE: STAND WLDMT, 16.00", 12" SVC, 9'	DATE: 9/14/2010	SIZE: D	PART NUMBER: F51120916-I SHEET: 1 of 1