

REV	FCN	REVISION HISTORY	DATE	APPROVED
A	F120019	RELEASED	4/25/2012	DCCLARK
B	F130059	ADDED INFORMATION ON FAN DUCT TRANSITION AND AUGER	4/12/2013	DCCLARK
C	F140154	CHANGED NOTE, LIFTING WITH AUGER	9/26/2014	DCCLARK
D	F150001	CHANGED STANDARD AUGER F60009200 STEEL AUGER TO F60009204 POLY AUGER	2/9/2015	DCCLARK
E	F180059	SHEETS 6 & 7 ADDED	7/9/2018	samelching

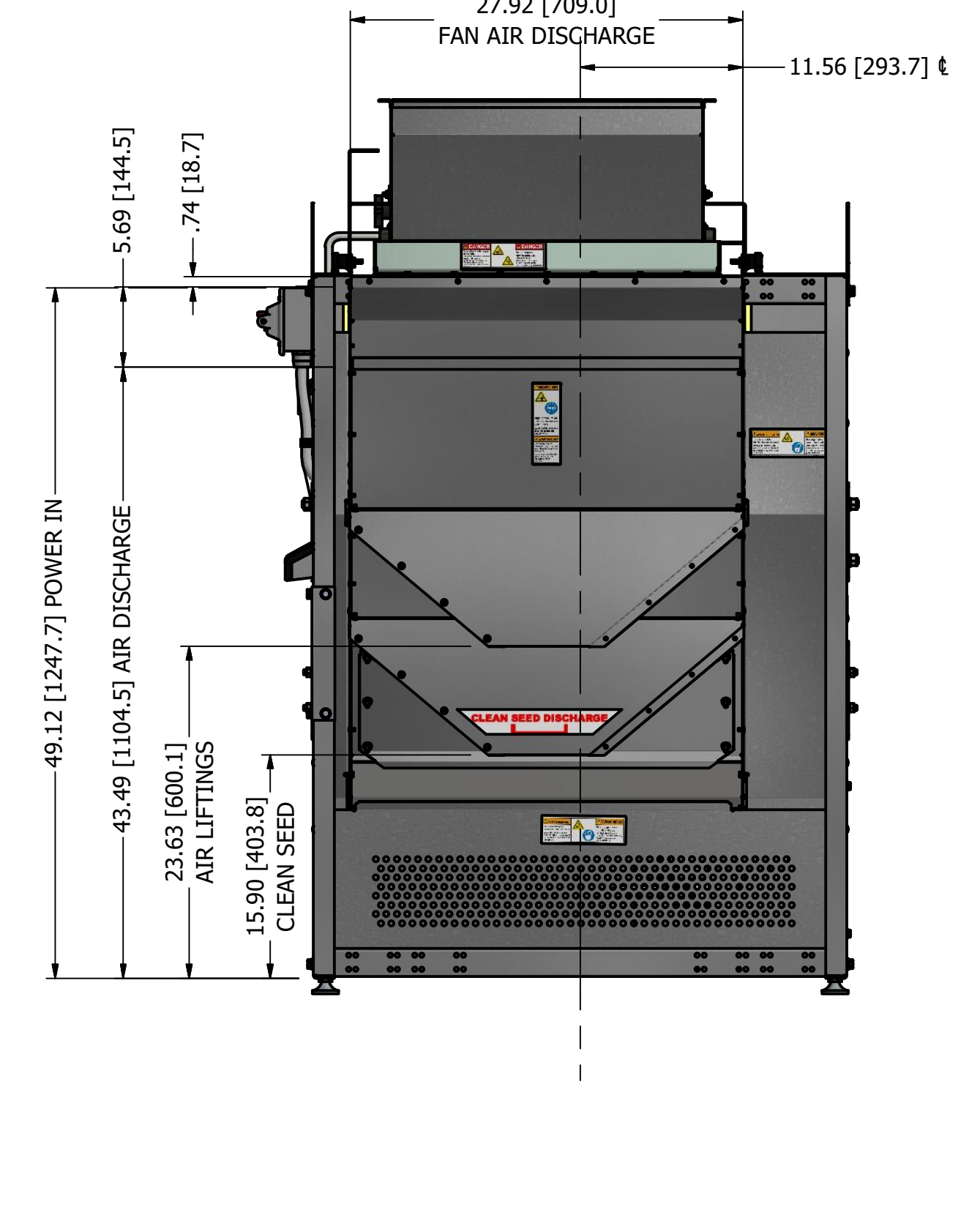
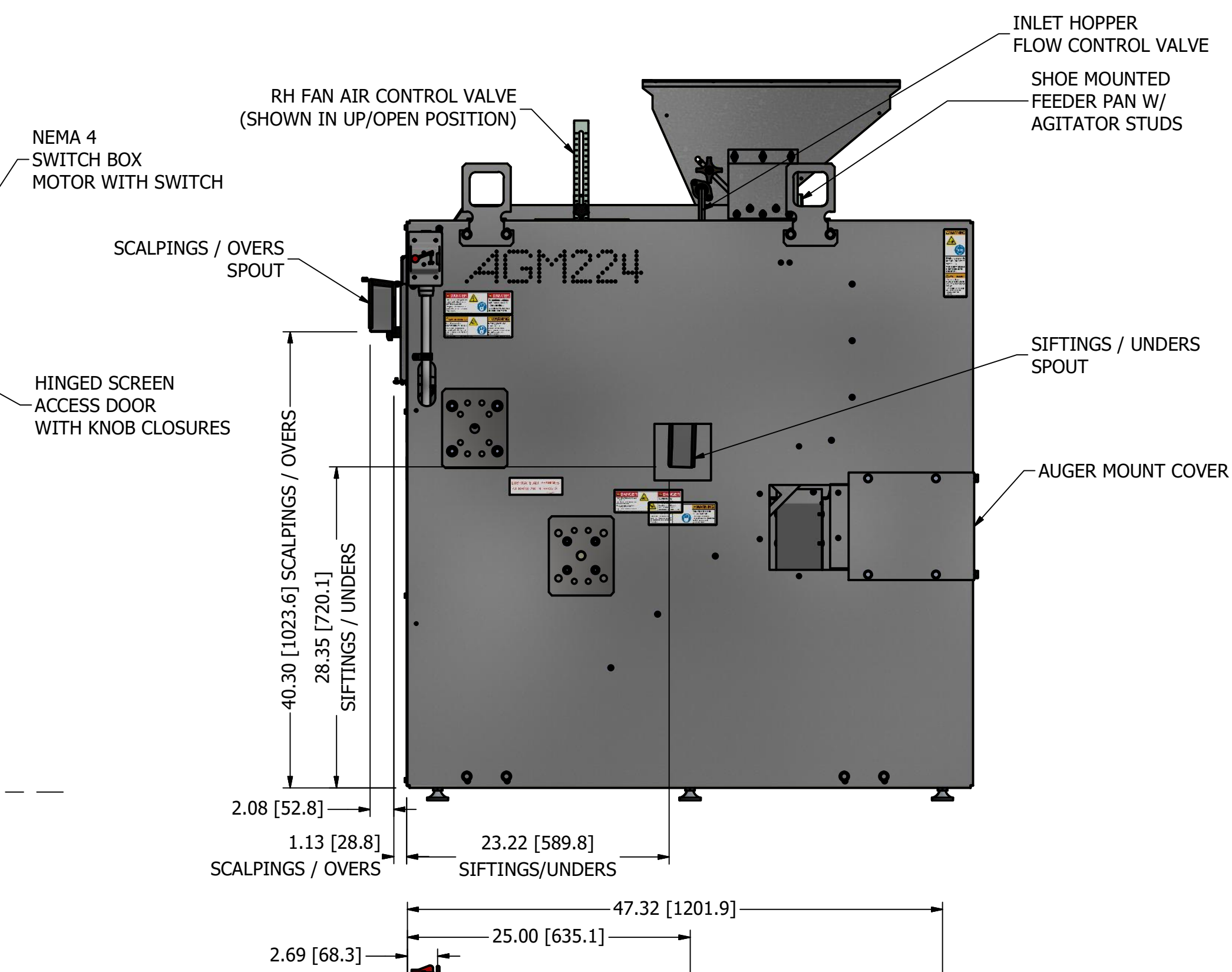
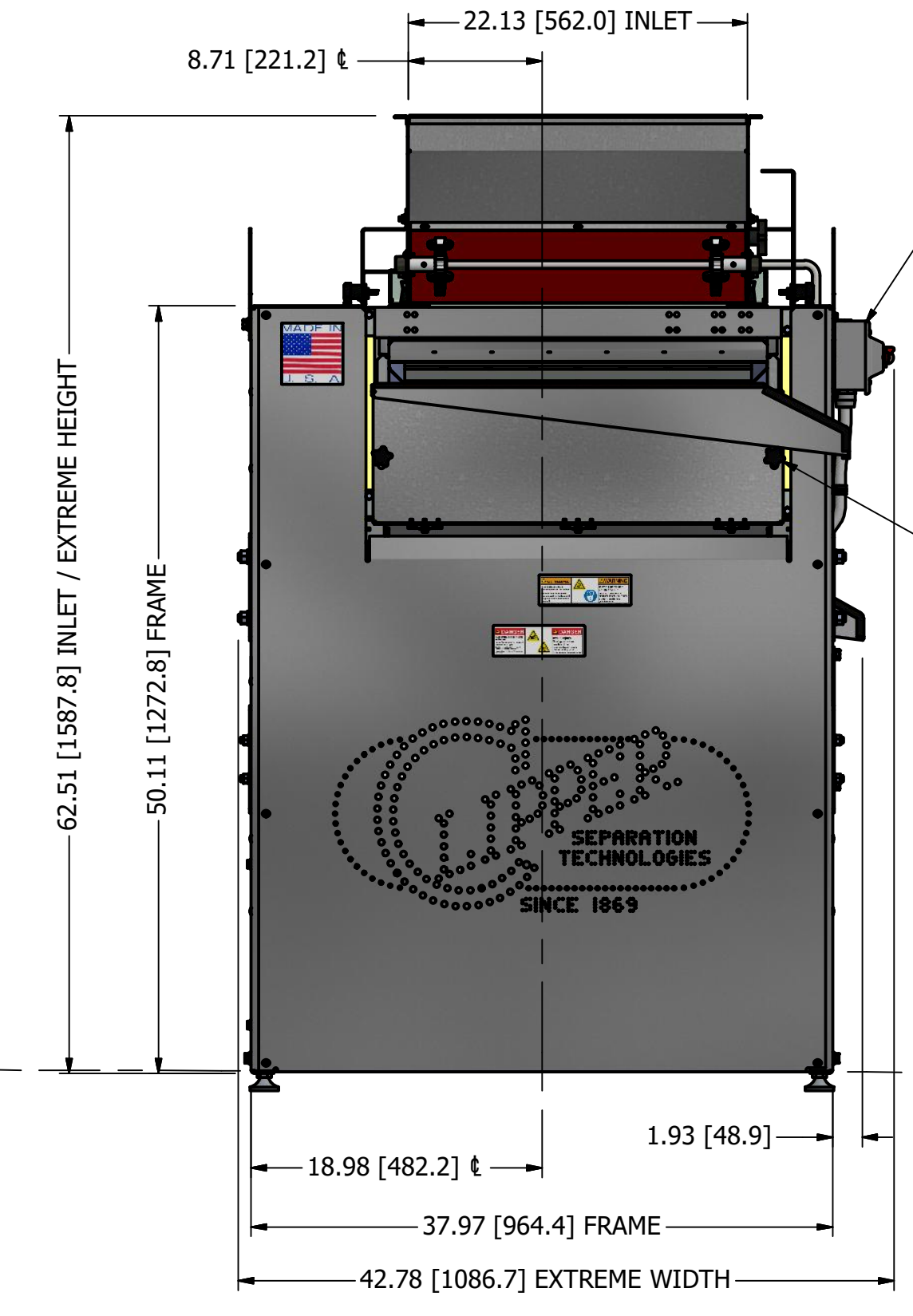
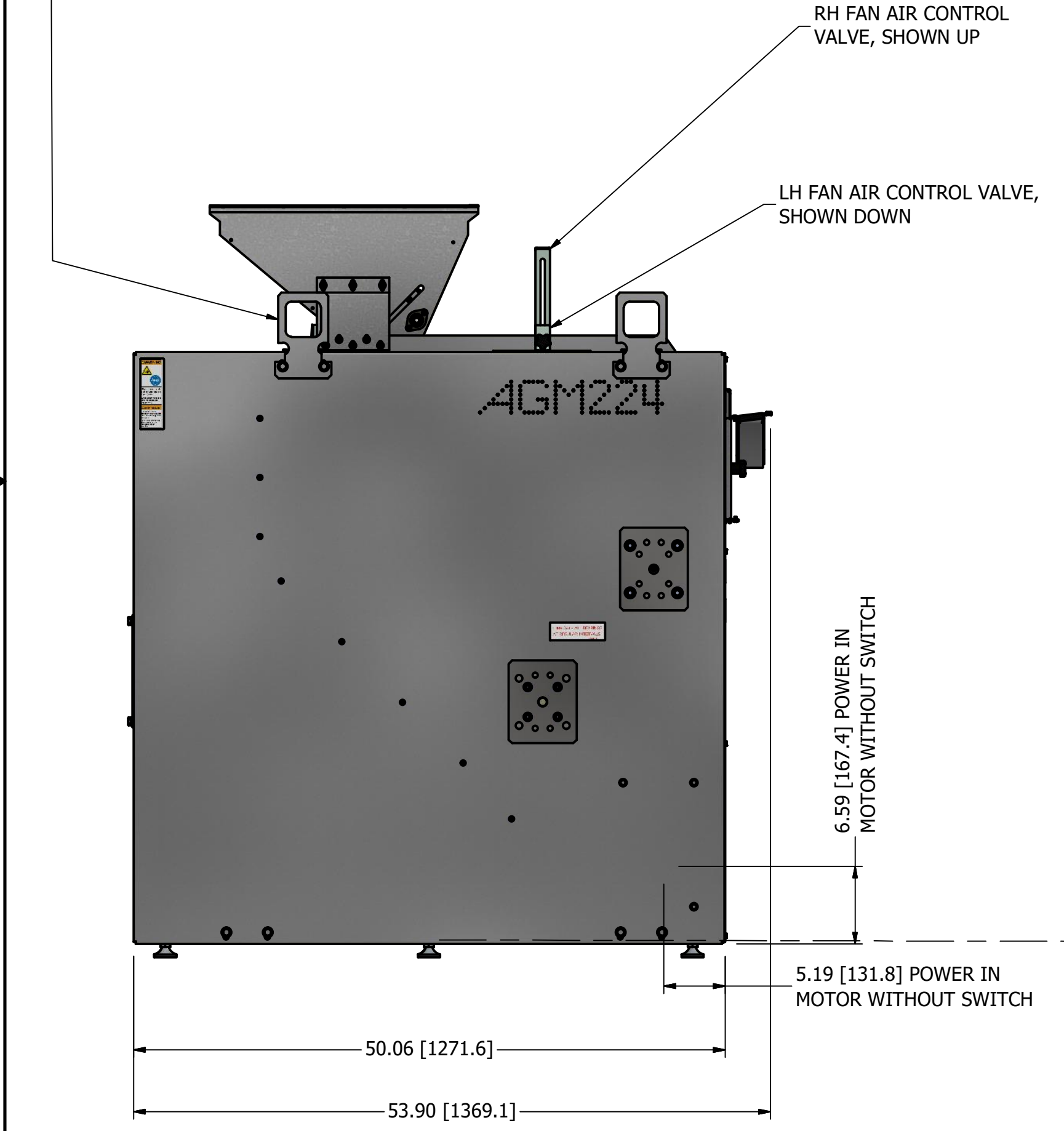
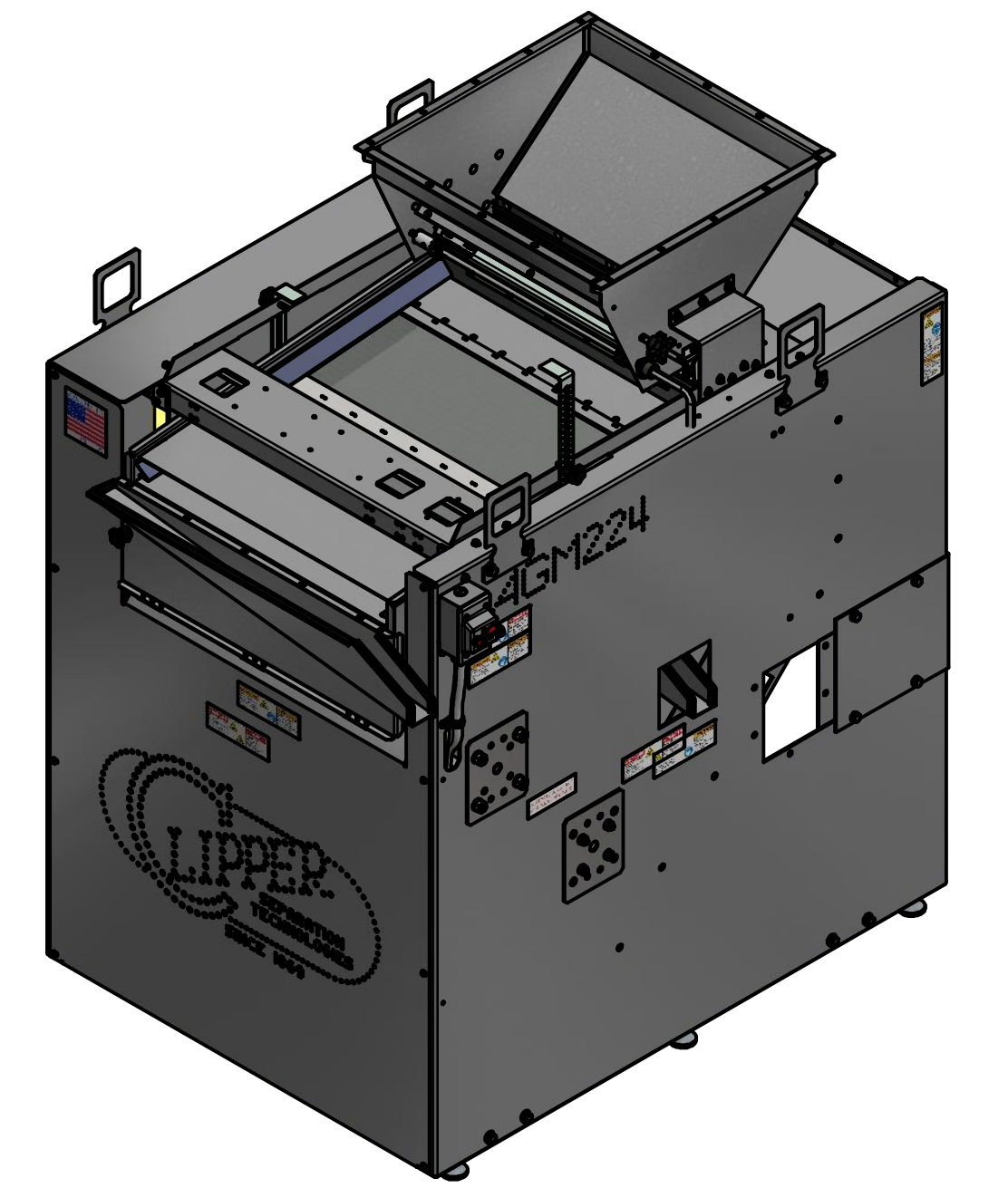
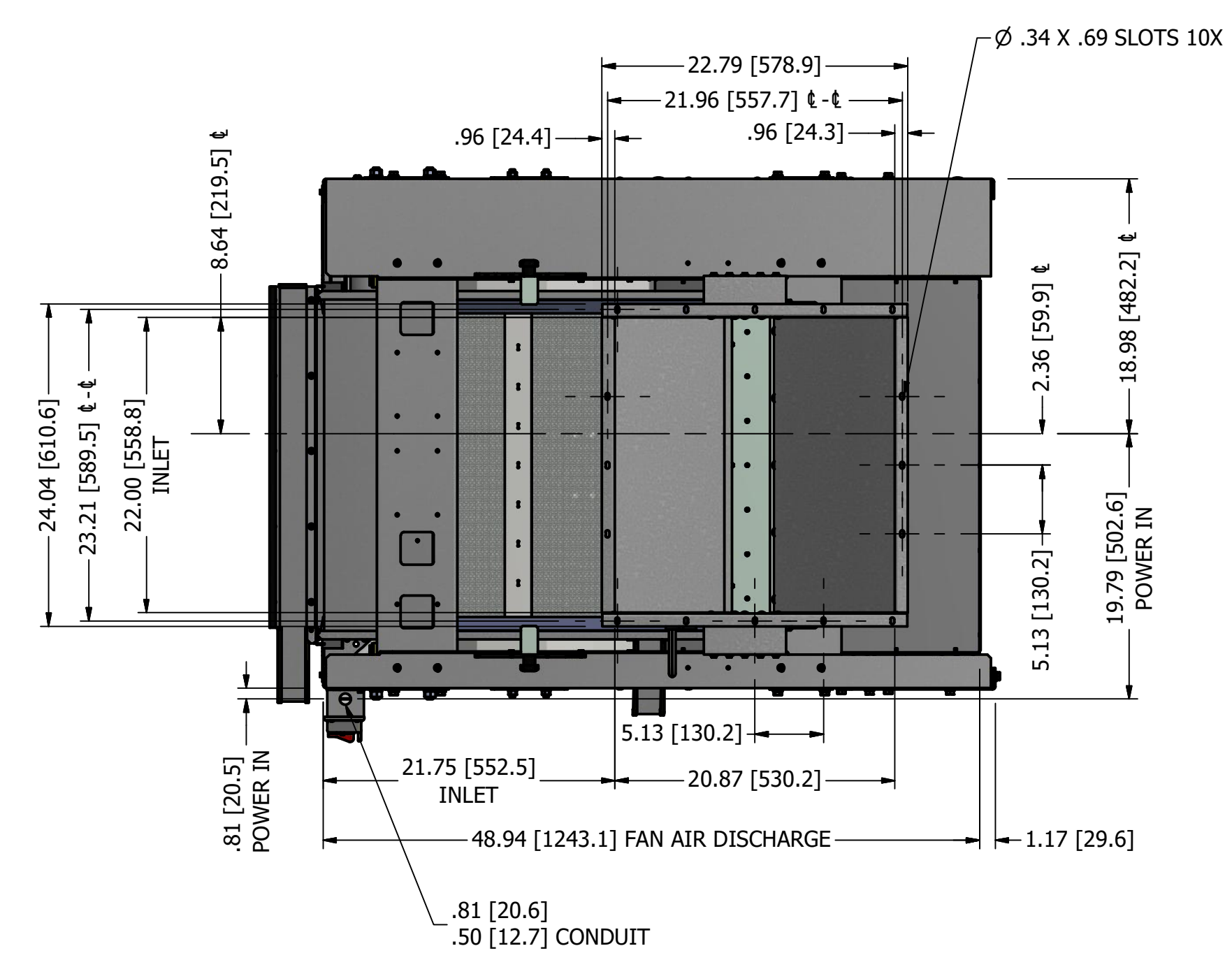
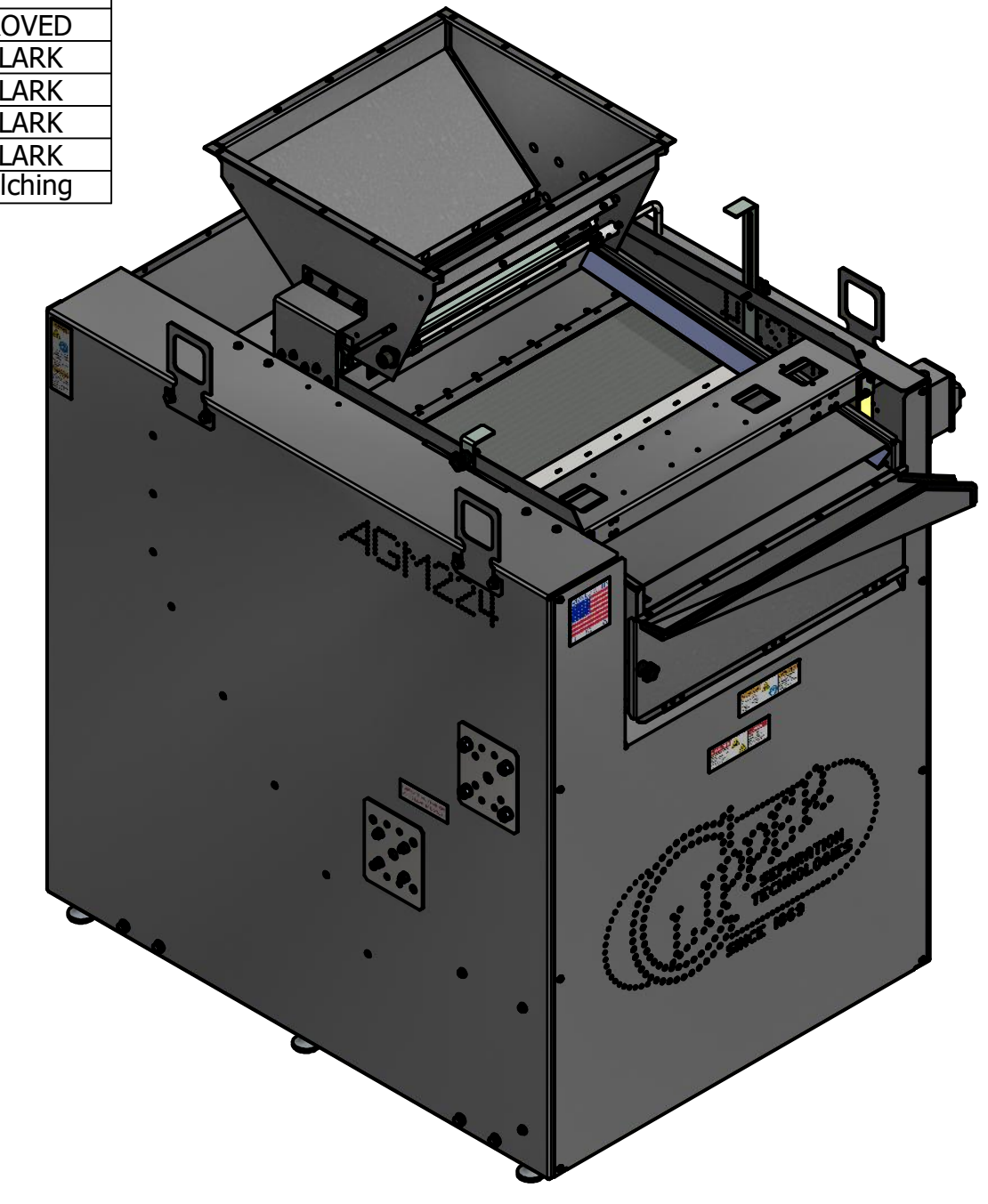
LIFTING LUGS CAN BE REMOVED AND ATTACHED WITHOUT DISASSEMBLING MACHINE. IF LIFTING LUGS ARE RE-ATTACHED ENSURE BOLTS ARE RE-TIGHTENED SECURELY.

THE AGM224 MUST ONLY BE LIFTED BY PROPERLY TRAINED INDIVIDUALS USING PROPER EQUIPMENT AND ALL APPLICABLE SAFETY PRECAUTIONS, OR DAMAGE TO MACHINE, PERSONAL PROPERTY OR BODILY INJURY CAN RESULT.

USE OF PROVIDED LIFTING LUGS IS RECOMMENDED IF LIFTING FROM ABOVE.

IF USING PROVIDED LIFTING LUGS ALL FOUR LIFTING LUGS MUST BE USED.

LIFTING AGM224 WITH OPTIONAL AUGER ATTACHED SHOULD BE DONE ONLY WITH ELECTRIC MOTOR REMOVED TO AVOID INSTABILITY.



- NOTES:
- DO NOT SCALE FROM DRAWING.
 - ITEMS DENOTED BY AN ASTERISK * ARE LINE ITEMS
 - LEVELING FEET NOT SHIPPED ATTACHED. USE OF LEVELING FEET OPTIONAL.
 - **MACHINE MUST BE LEVELED FOR OPTIMAL PERFORMANCE**
 - **FASTENING TO FLOOR RECOMMENDED WITH BAGGING AUGER**
 - APPLICATION OF FEET AFFECTS OVERALL HEIGHT OF MACHINE.
 - ALTERNATIVE UNITS [X.X] IN MILLIMETERS.
 - MACHINE WEIGHT LESS STAND, AUGER, AND SURGE HOPPER: 750 LBS / 340 KG.
 - 0.50" [12.7] TOTAL THROW, SHOE.
 - FAN AIR DISCHARGE: 1440 CFM / 40.5 CMM MAXIMUM.
 - SIX 1/2-13 GRADE 5 BOLTS RECOMMENDED TO LAG FRAME THRU FLOOR JOISTS.
 - RECOMMENDED MAINTENANCE CLEARANCE FROM FRAME: 36.00" [915] AT FRONT & SIDES, 12.00" [305] AT REAR.
 - FUSED DISCONNECT REQUIRED PRIOR TO MACHINE MOUNTED SWITCH BOX.
 - MOTOR WITH SWITCH: 3/4 HP 1Ø 60 HZ 115/208/230 VOLT TEFC, MANUAL THERMAL RESET, FULL LOAD AMPS 8.2/5.4/4.1
 - MOTOR WITH SWITCH: 3/4 HP 1Ø 50 HZ 110/220 VOLT TEFC, MANUAL THERMAL RESET, FULL LOAD AMPS 11.8/5.9.
 - MOTOR WITHOUT SWITCH: 3/4 HP 1Ø 60 HZ 115/230 VOLT XPFC, U.L. & CSA APPROVED CLASS I, GROUP D, CLASS II, GROUP F & G, T4, FULL LOAD AMPS 10.6/5.3.
 - MOTOR WITHOUT SWITCH: 3/4 HP 3Ø 60 HZ 208/230/460 VOLT TEFC, FULL LOAD AMPS 3.2/3.0/1.5.
 - MOTOR WITHOUT SWITCH: 3/4 HP 3Ø 60 HZ 575 VOLT TEFC, FULL LOAD AMPS 1.2.
 - MOTOR WITHOUT SWITCH: 3/4 HP 3Ø 50 HZ 220/380/440 VOLT TEFC, FULL LOAD AMPS 2.8/1.6/1.4.

BASE MACHINE

		DIVISION OF A.T.FERRELL COMPANY 1440 S ADAMS ST BLUFFTON, INDIANA 46714 - USA PH: 260-824-3400 FAX: 260-824-5463		This drawing is the property of the A. T. Ferrell Company, Inc and must be returned immediately upon request. No part of this drawing may be reproduced, stored in a retrieval system or transmitted in any form or by any means, without prior written consent of the A. T. Ferrell Company, Inc.	
TOLERANCES EXCEPT AS NOTED DECIMAL: ± .030 FRACTIONAL: ± 1/32 XXX ± .005 XXXX ± .001		TITLE: CLEANER ASSY, RH & CENTER, AGM224		DRAWN BY: samelching	
FINISH: NONE		SCALE: 1:10		SHEET: 1 OF 7	
CAD NO MANUAL CHANGES		SIZE: D		PART NUMBER: F6000200-1	
REV: E		APPROVED BY: DMJ		DRAWN DATE: 4/25/2012	