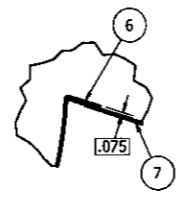
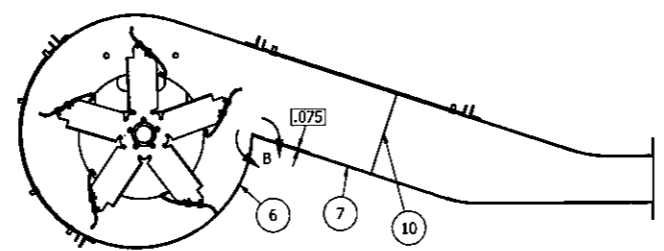
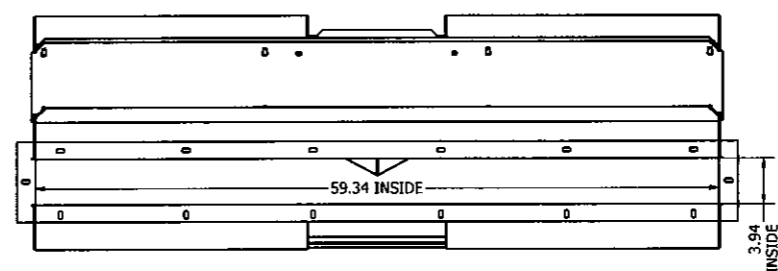
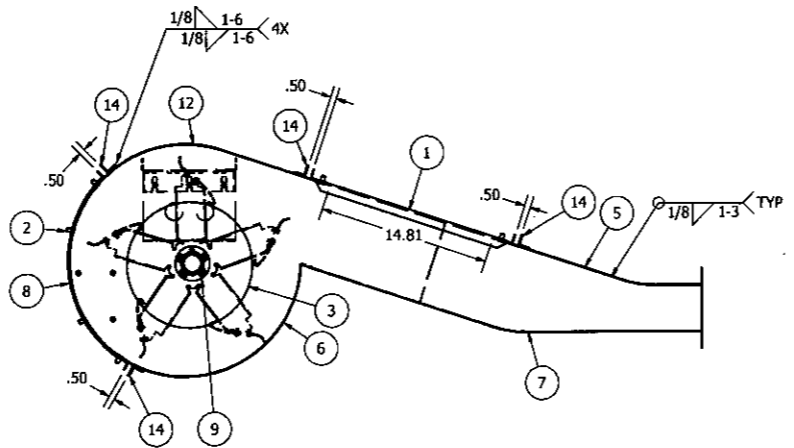
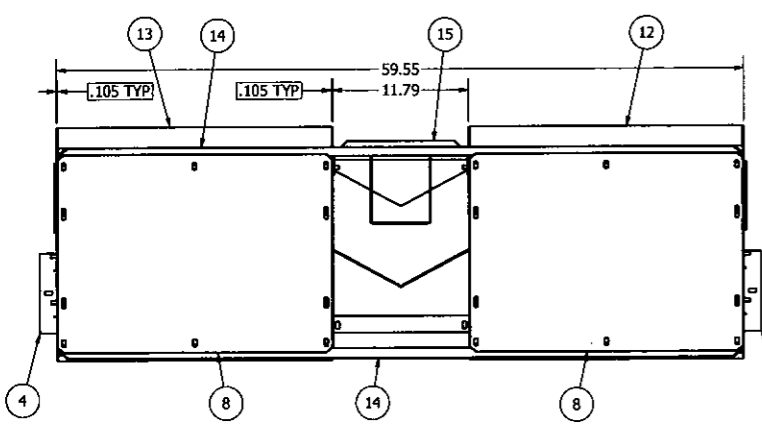
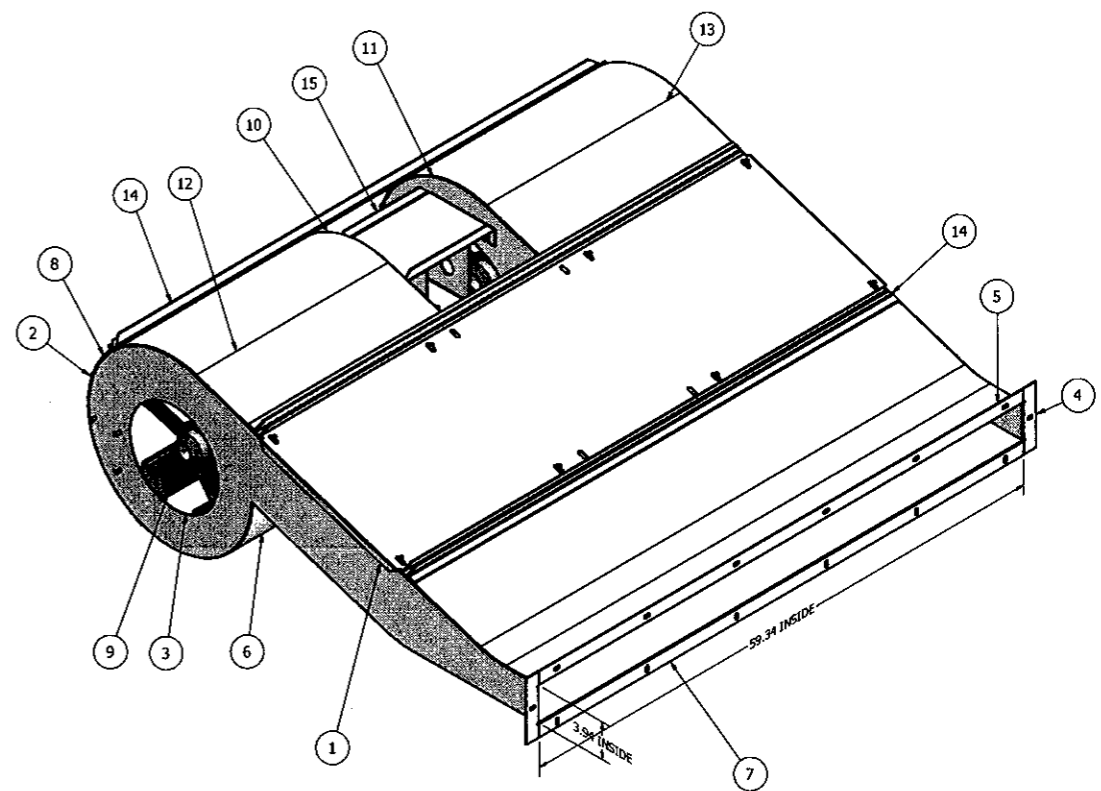
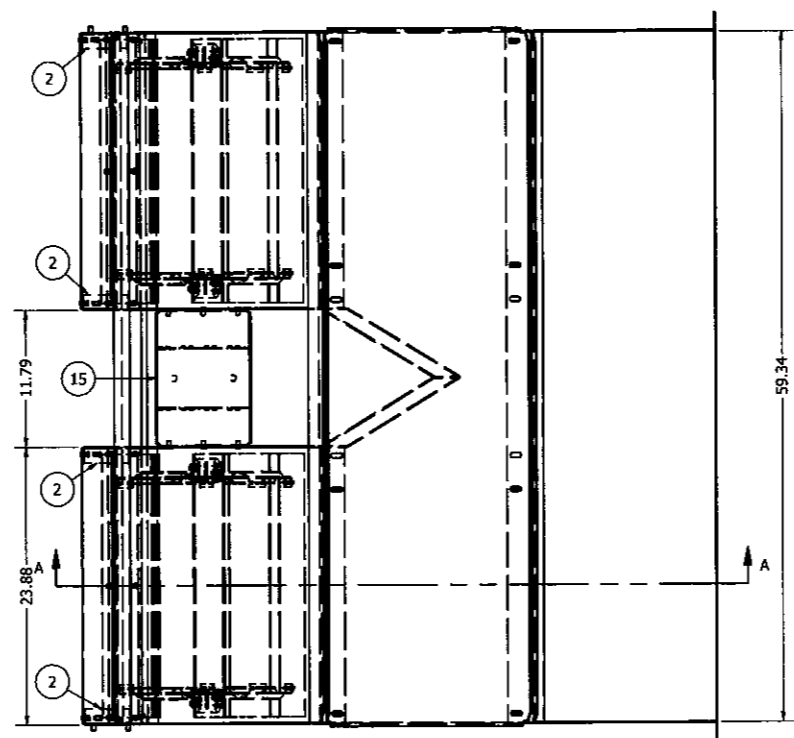


| REVISION HISTORY | | | | |
|------------------|---------|---------------------|-----------|----------|
| REV | ECN | DESCRIPTION | DATE | APPROVED |
| - | F000034 | RELEASED | 5/17/2000 | DJ |
| A | F070103 | REDRAWN IN INVENTOR | 9/20/2007 | AGAGER |



- NOTES:
- DO NOT SCALE FROM DRAWING.
 - USE BEARING MOUNT, HATCHES & DOOR AS WELDING FIXTURES.
 - WELD ALL COMPONENTS OUTSIDE, CORNER-TO-CORNER 1/8", 1-3".
 - SEAL WITH CAULK INSIDE, AFTER PAINTING.
 - ONE PIECE REQUIRED PER F61003050: BOTTOM DUAL FAN ASSY, CONQUEST 486.
 - ONE PIECE REQUIRED PER F61003051: BOTTOM DUAL FAN ASSY, CONQUEST 586.
 - ONE PIECE REQUIRED PER F61203000: BOTTOM DUAL FAN ASSY, CONQUEST HCSC.
 - ONE PIECE REQUIRED PER F61203001: BOTTOM DUAL FAN ASSY, CONQUEST HCSC.

SECTION A-A

DETAIL B
SCALE 3/8

| ITEM | PART NUMBER | QTY | DESCRIPTION |
|------|-------------|-----|---|
| 15 | F61003096 | 1 | BEARING MNT WLDMT, BTM DUAL FAN, CONQUEST |
| 14 | F61003095 | 4 | SUPPORT, FAN HOUSING, BOTTOM DUAL, CONQUEST |
| 13 | F61003094 | 1 | SCROLL, UPPER LH, BOTTOM DUAL FAN, CONQUEST |
| 12 | F61003093 | 1 | SCROLL, UPPER RH, BOTTOM DUAL FAN, CONQUEST |
| 11 | F61003092 | 1 | SIDE, INNER LH, BOTTOM DUAL FAN, CONQUEST |
| 10 | F61003091 | 1 | SIDE, INNER RH, BOTTOM DUAL FAN, CONQUEST |
| 9 | F61003070 | 2 | FAN ASSY, BOTTOM DUAL, CONQUEST |
| 8 | F61003066 | 2 | HATCH, SCROLL, BOTTOM DUAL FAN, CONQUEST |
| 7 | F61003062 | 1 | BOTTOM, BOTTOM DUAL FAN, CONQUEST |
| 6 | F61003061 | 2 | SCROLL, LOWER, BOTTOM DUAL FAN, CONQUEST |
| 5 | F61003059 | 1 | TOP, BOTTOM DUAL FAN, CONQUEST |
| 4 | F61003057 | 1 | SIDE, LH, BOTTOM DUAL FAN, CONQUEST |
| 3 | F61003056 | 1 | SIDE, RH, BOTTOM DUAL FAN, CONQUEST |
| 2 | F61003010 | 4 | MOUNT, HATCH, BTM FAN, CONQUEST |
| 1 | F11308987 | 1 | DOOR, CLEANOUT, AIR CHAMBER |

This drawing is the property of the A.T. Ferrell Company, Inc and must be returned immediately upon request. No part of this drawing may be reproduced, stored in a retrieval system or transmitted in any form or by any means, without prior written consent of the A.T. Ferrell Company, Inc.

CAD
NO MANUAL CHANGES
TOLERANCES EXCEPT AS NOTED

DECIMAL: .005
FRACTIONAL: 1/32
ANGULAR: 1/2

DIVISION OF A. T. FERRELL COMPANY
BLUFFTON, INDIANA - USA

FINISH: PAINT LT. GRAY
SCALE: 1:8
DRAWN BY: alleng
APPROVED BY: DMJ

TITLE: HOUSING WLDMT, BOTTOM DUAL FAN, CONQUEST

DATE: 9/20/2007
SIZE: D
PART NUMBER: F61003055
SHEET: 1 of 1