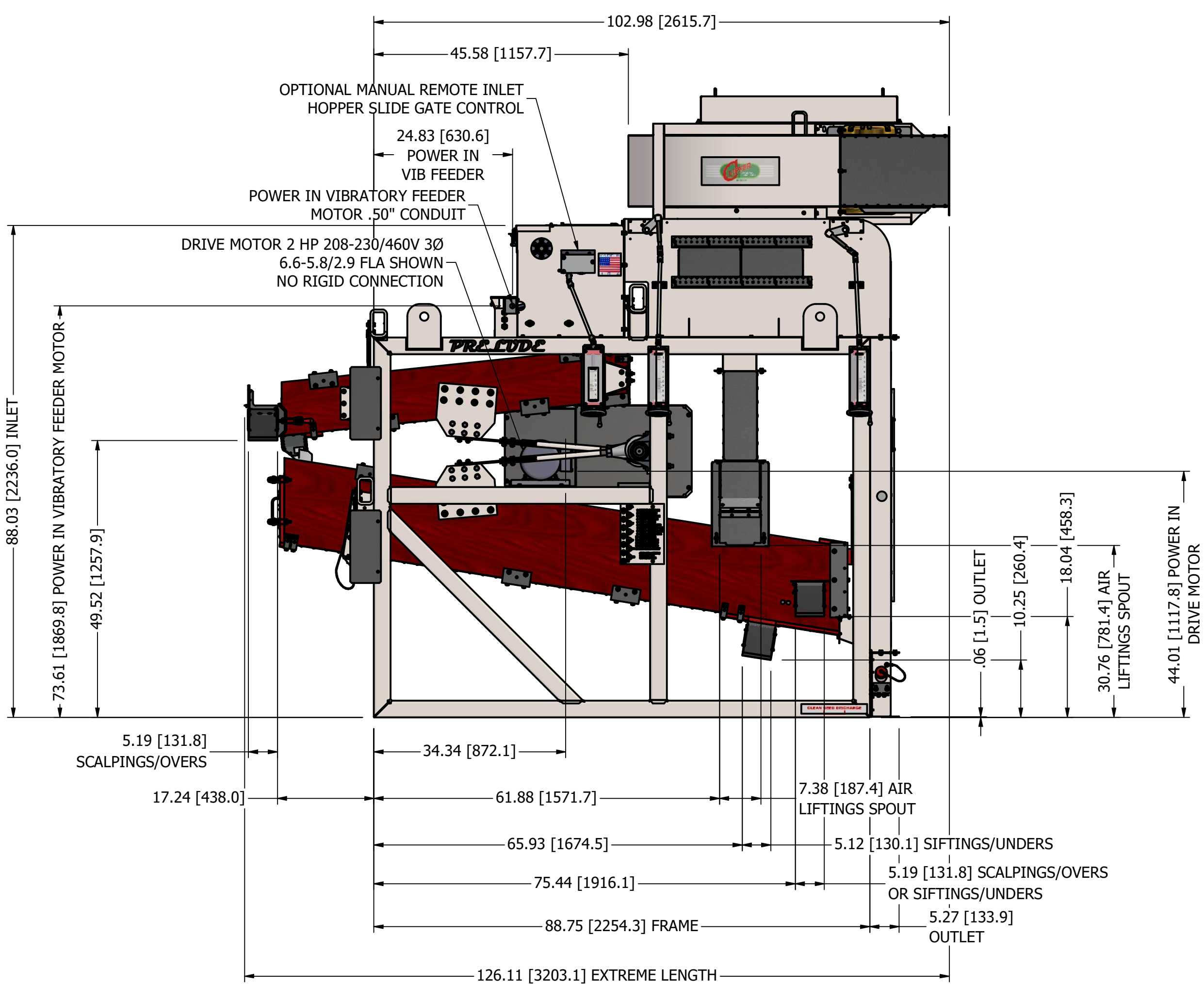
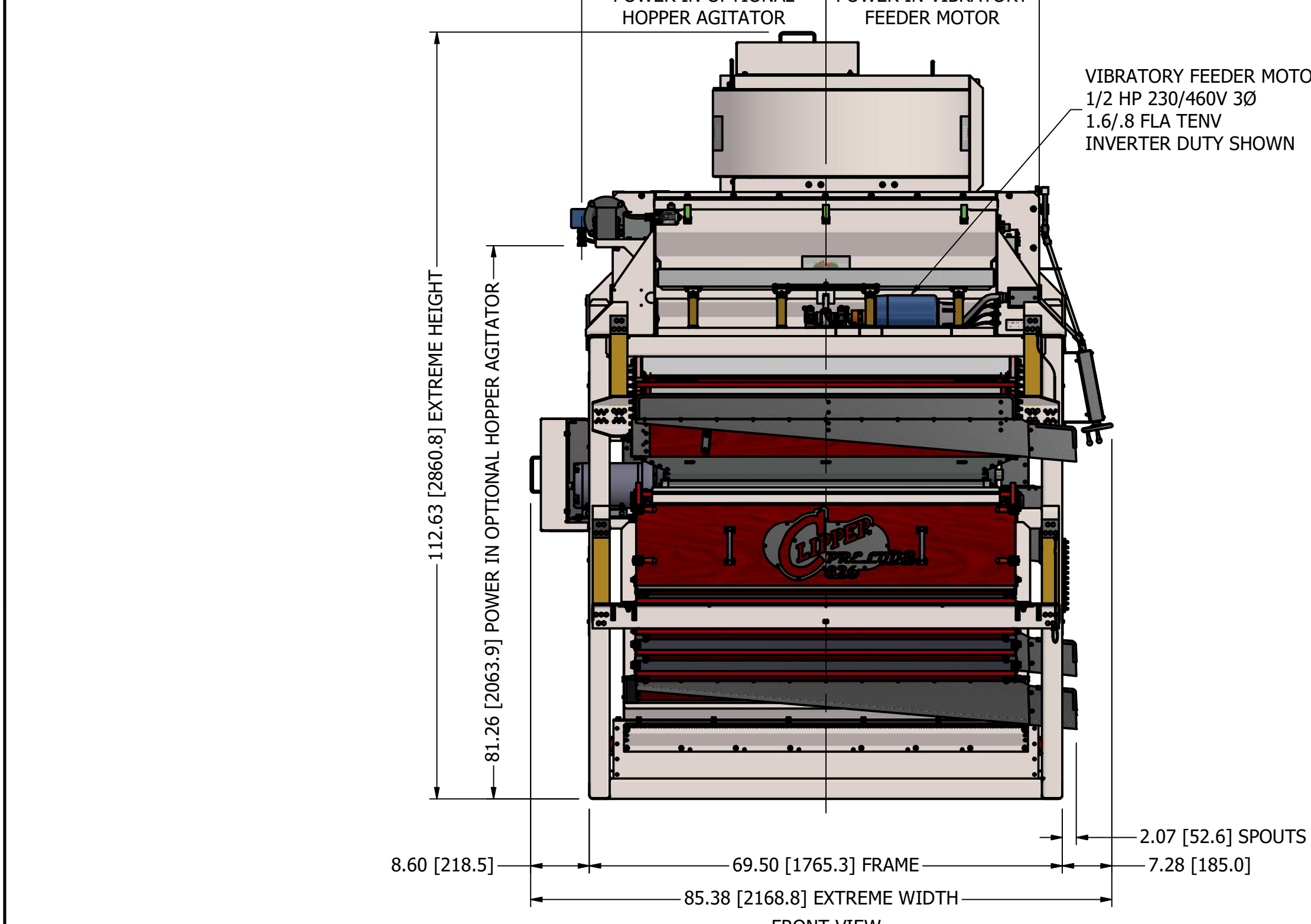
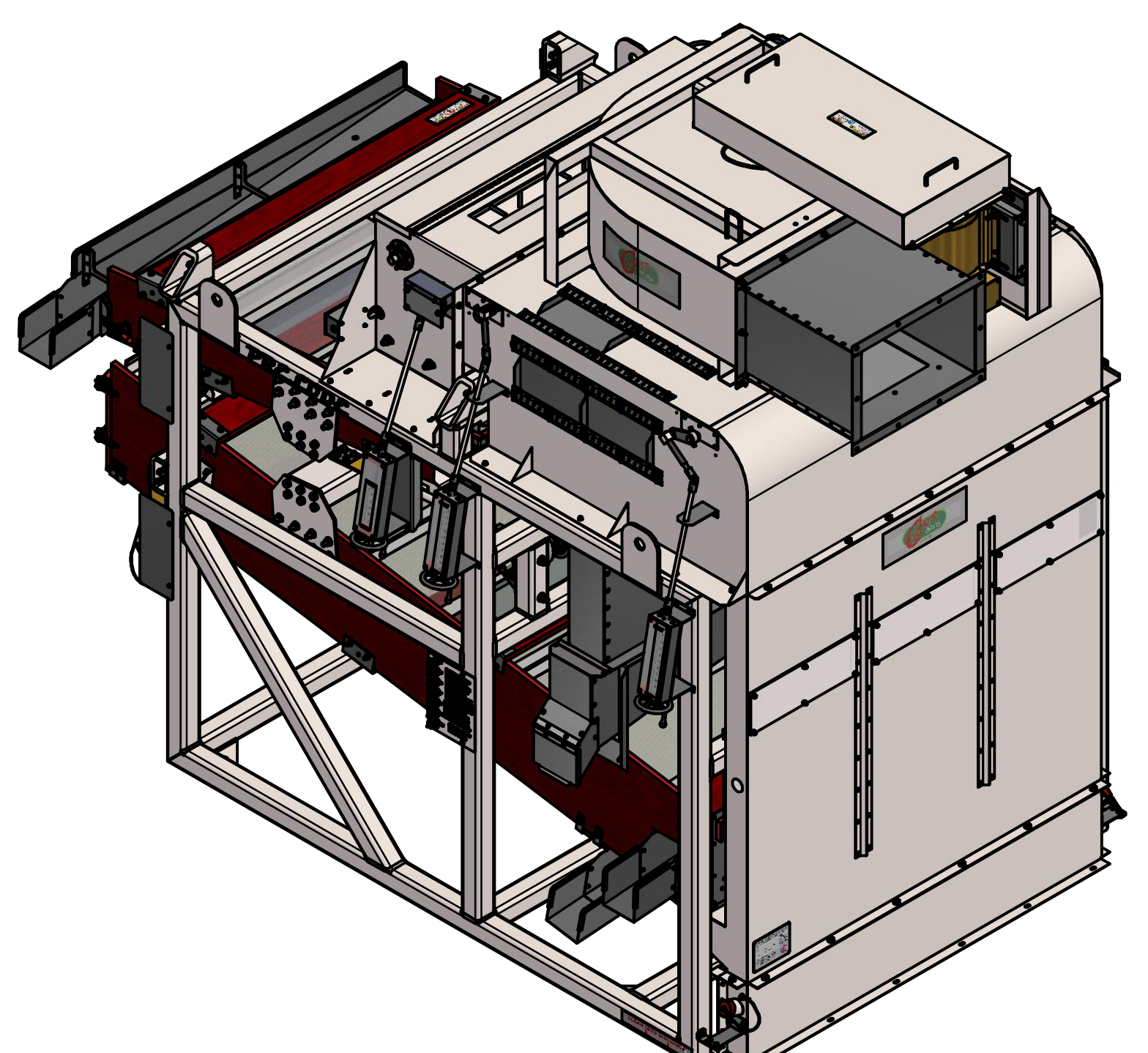
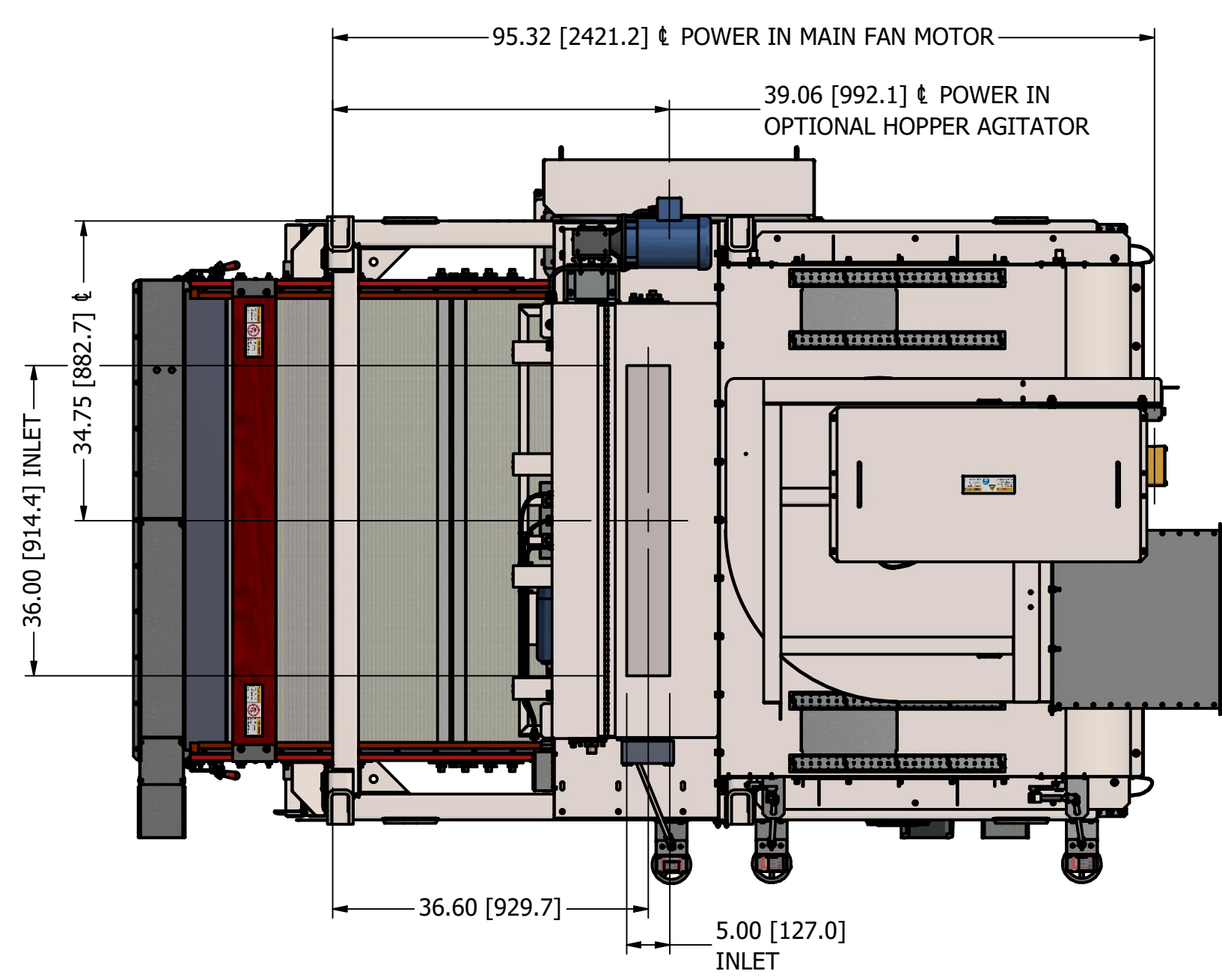
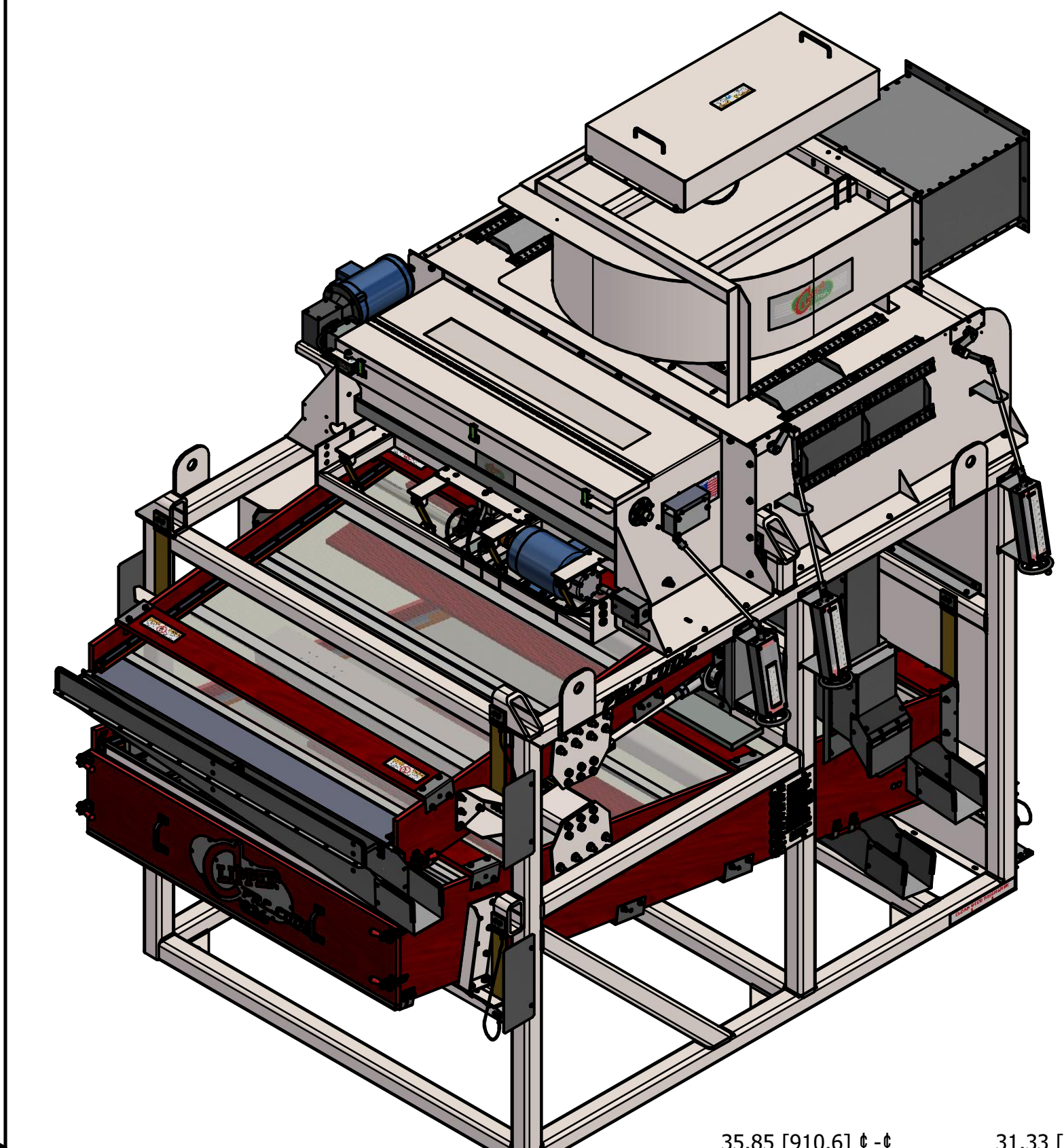


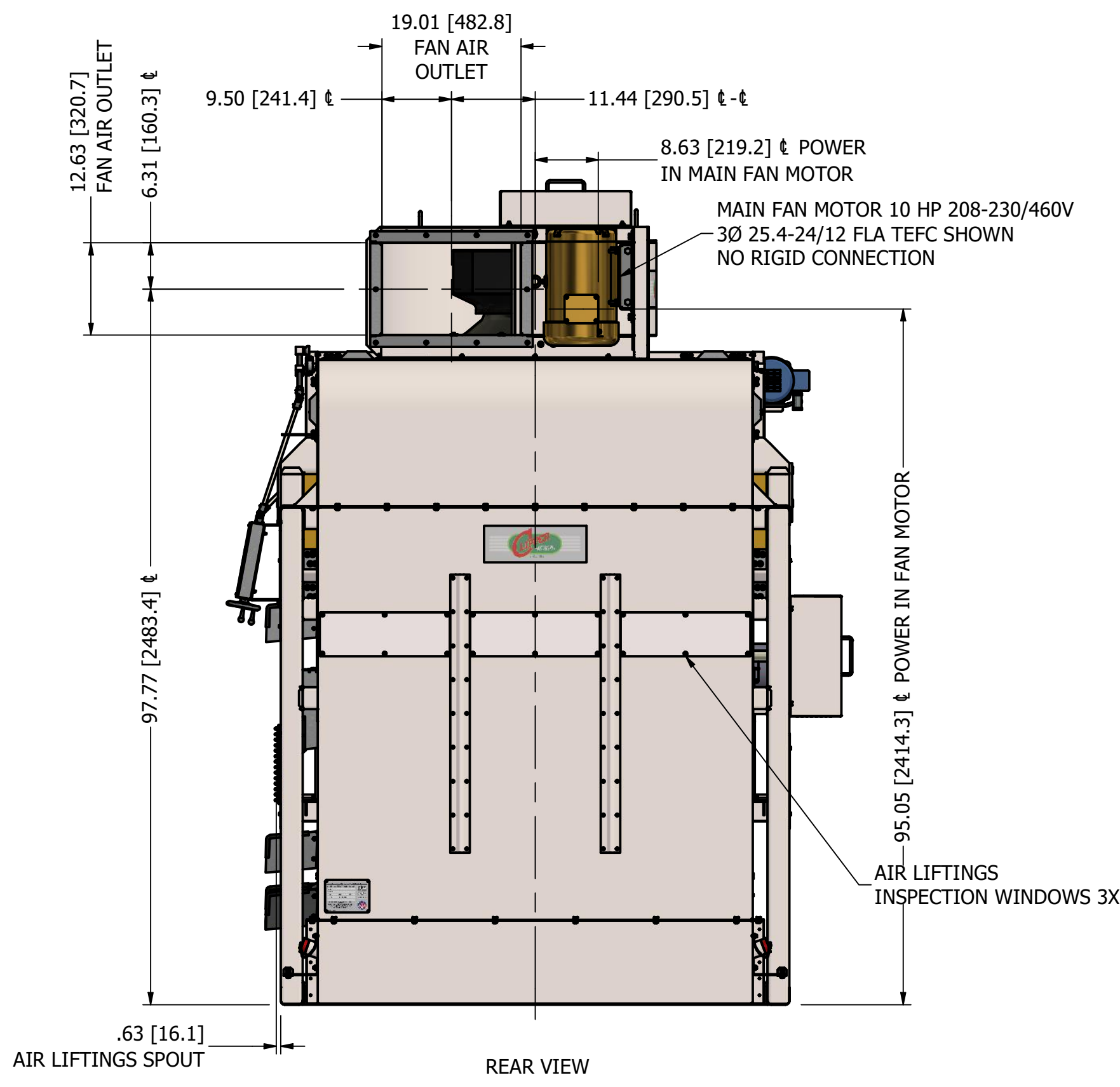
REV	ECN	DESCRIPTION	DATE	APPROVED
A	F180103	RELEASE	1/28/2019	dmjohnson



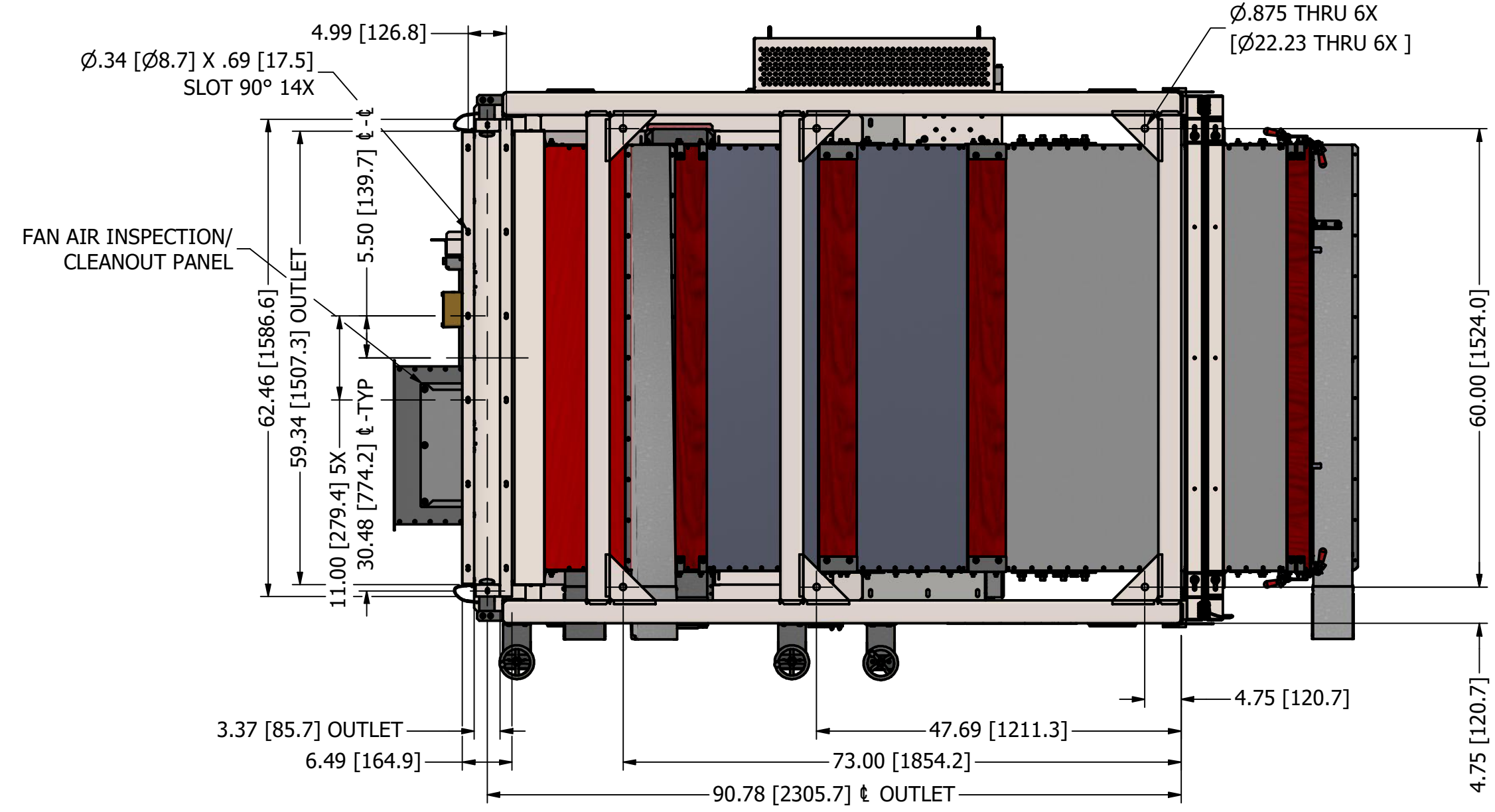
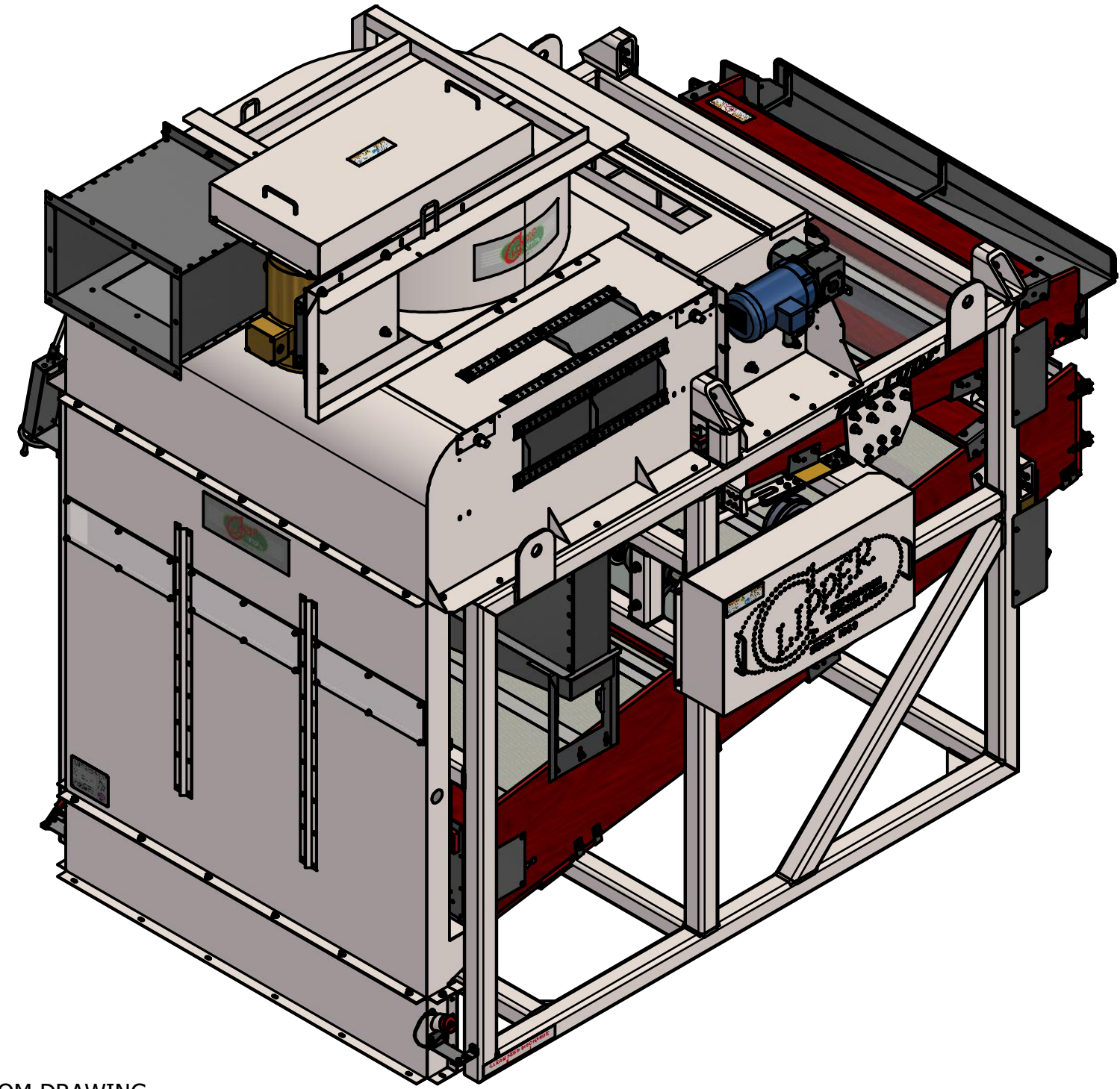
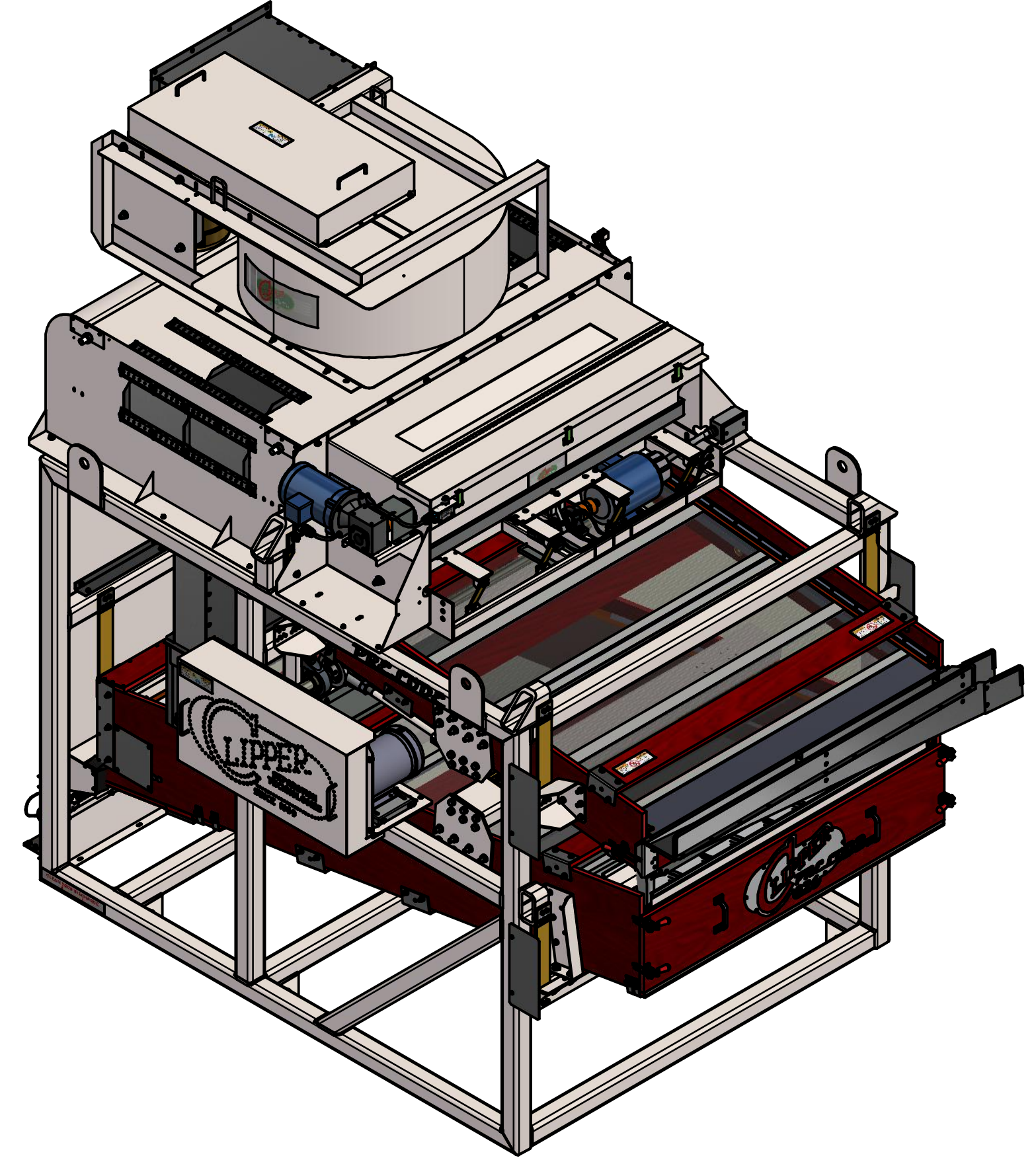
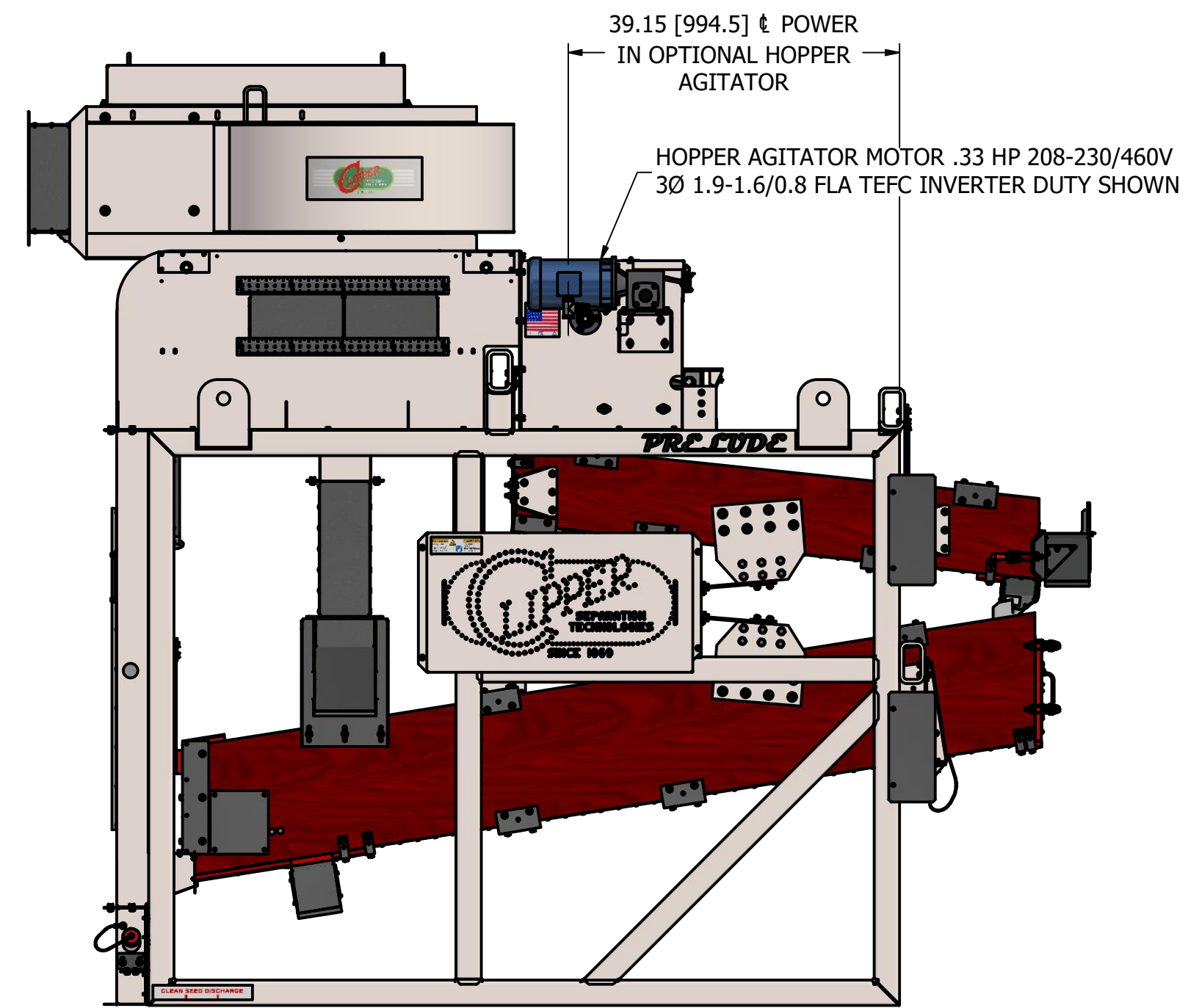
- NOTES:
- DO NOT SCALE FROM DRAWING.
 - ALTERNATIVE UNITS [X.X] IN MILLIMETERS.
 - .500-1.000" [12.70-25.40mm] TOTAL THROW, BOTH SHOES.
 - CONTACT CLIPPER SALES FOR CFM [CMM] REQUIREMENTS, GIVEN SPECIFIC APPLICATION.
 - INSTALLED WEIGHT AS SHOWN 4,375 LBS / 1,984 KG.
 - SIX, 3/4-8 GRADE 5 BOLTS RECOMMENDED TO LAG FRAME THRU FLOOR JOISTS.
 - RECOMMENDED MAINTENANCE CLEARANCE FROM FRAME: 48" [1219] AT FRONT & SIDES, 12.00" [305] AT REAR.
 - FRAME ASTM A500 GRADE B (UNS K03000) 3.00 X 3.00 X 0.25" PAINTED FINISH.

	DIVISION OF A.T.FERRELL COMPANY 1440 S ADAMS ST BLUFFTON, INDIANA 46714 - USA PH: 260-824-3400 FAX: 260-824-5463	This drawing is the property of the A. T. Ferrell Company, Inc and must be returned immediately upon request. No part of this drawing may be reproduced, stored in a retrieval system or transmitted in any form or by any means, without prior written consent of the A. T. Ferrell Company, Inc.
	DRAWN BY: dmjohnson DRAWN DATE: 1/25/2019 APPROVED BY: DMJ	TITLE: CLEANER INSTALLATION, RH SPLIT, PRELUDE 826 FINISH: TOUCH-UP PAINT
TOLERANCES EXCEPT AS NOTED DECIMAL: ± .030 FRACTIONAL: ± 1/32 ANGULAR: ± 1/2° CAD NO MANUAL CHANGES	SCALE: 0.06 : 1 SHEET: 1 OF 3 SIZE: D PART NUMBER: F6826000-1	REV: A

REV	ECN	DESCRIPTION	DATE	APPROVED
A	F180103	RELEASE	1/28/2019	dmjohnson



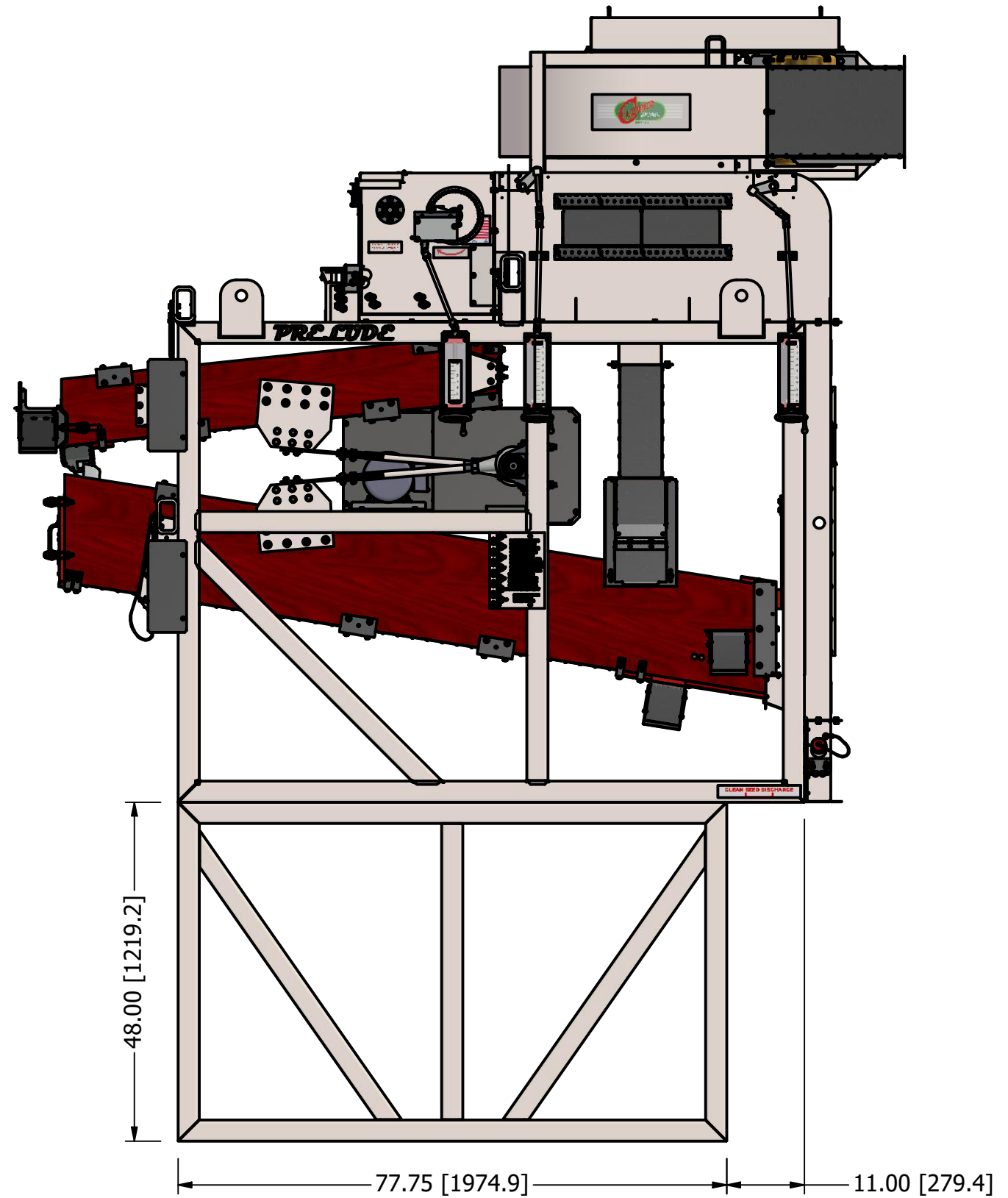
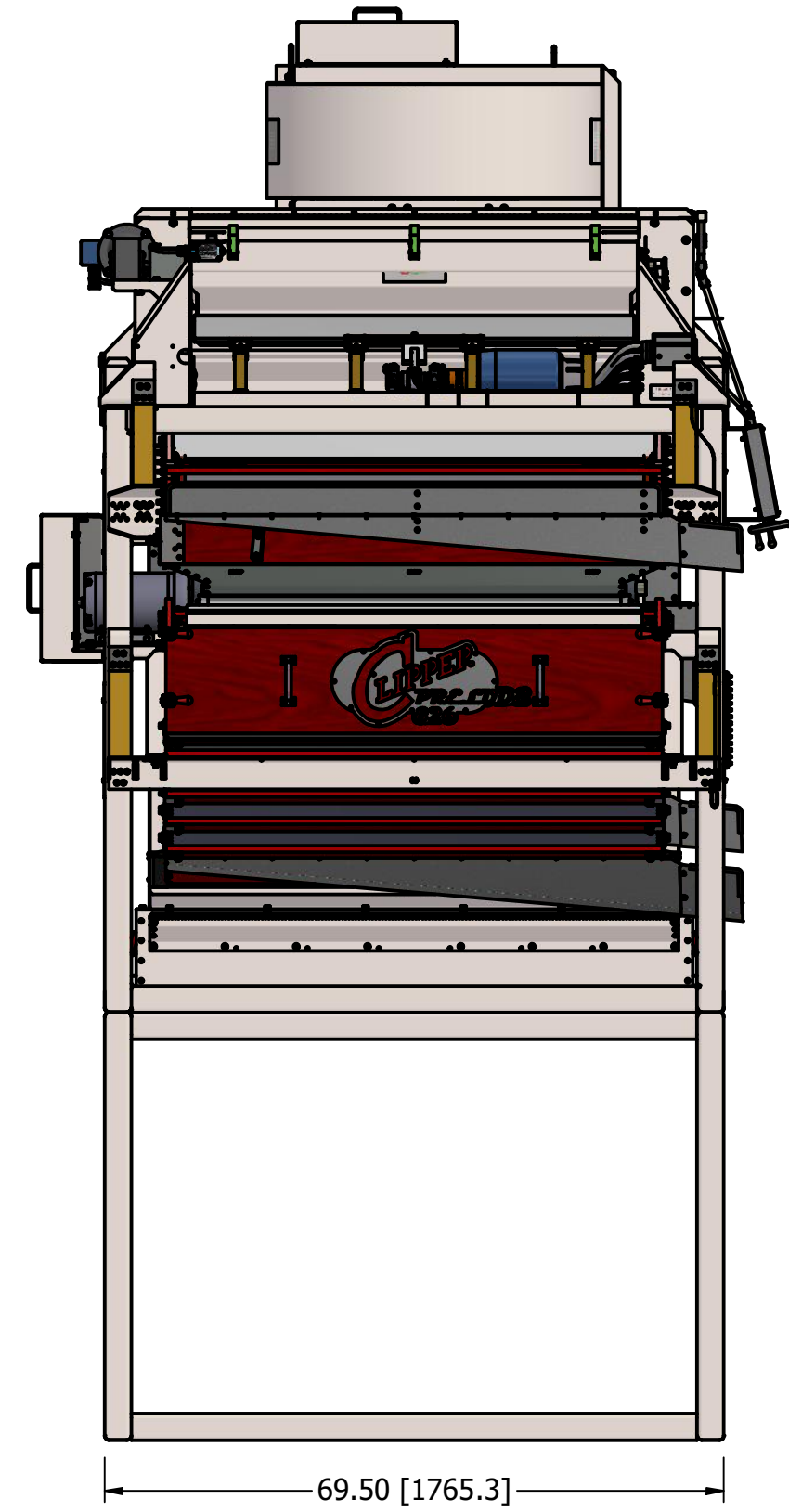
REAR VIEW



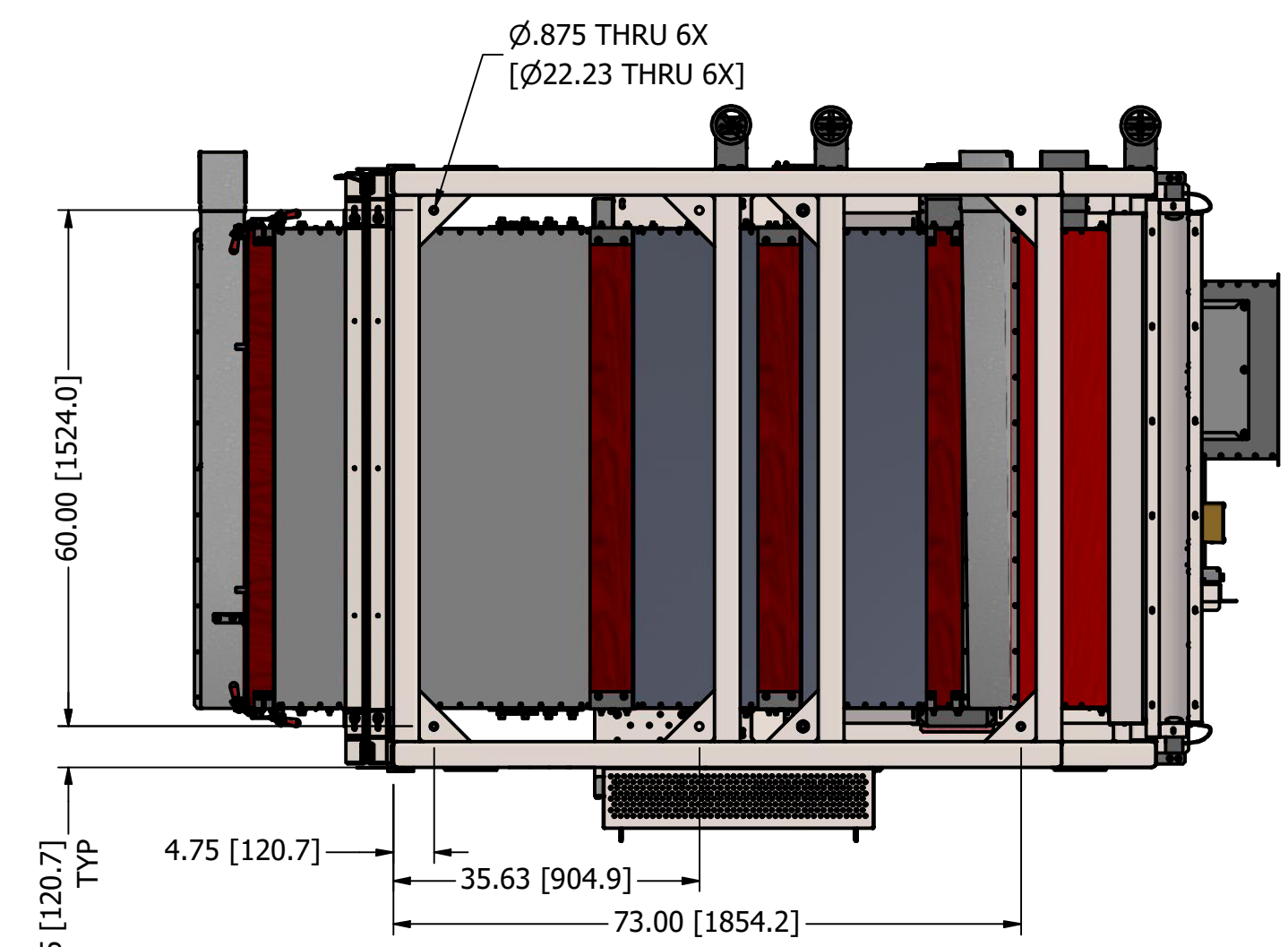
- NOTES:
- DO NOT SCALE FROM DRAWING.
 - ALTERNATIVE UNITS [X.X] IN MILLIMETERS.
 - .500-1.000" [12.70-25.40mm] TOTAL THROW, BOTH SHOES.
 - CONTACT CLIPPER SALES FOR CFM [CMM] REQUIREMENTS, GIVEN SPECIFIC APPLICATION.
 - INSTALLED WEIGHT AS SHOWN 4,375 LBS / 1,984 KG.
 - SIX, 3/4-8 GRADE 5 BOLTS RECOMMENDED TO LAG FRAME THRU FLOOR JOISTS.
 - RECOMMENDED MAINTENANCE CLEARANCE FROM FRAME: 48" [1219] AT FRONT & SIDES, 12.00" [305] AT REAR.
 - FRAME ASTM A500 GRADE B (UNS K03000) 3.00 X 3.00 X 0.25" PAINTED FINISH.

	DIVISION OF A.T.FERRELL COMPANY 1440 S ADAMS ST BLUFFTON, INDIANA 46714 - USA PH: 260-824-3400 FAX: 260-824-5463	This drawing is the property of the A.T. Ferrell Company, Inc. and must be returned immediately upon request. No part of this drawing may be reproduced, stored in a retrieval system or transmitted in any form or by any means, without prior written consent of the A.T. Ferrell Company, Inc.
	DRAWN BY: dmjohnson	DRAWN DATE: 1/25/2019
TOLERANCES EXCEPT AS NOTED DECIMAL: FRACTIONAL: TITLE: XX ± .030 ± 1/32 CLEANER INSTALLATION, RH SPLIT, PRELUDE 826 XXX ± .005 ANGULAR: ± 1/2° XXXX ± .001 ± 1/2°		
FINISH: TOUCH-UP PAINT		
CAD NO MANUAL CHANGES	SCALE: SHEET: SIZE: PART NUMBER: 0.06 : 1 2 OF 3 D F68260000-I	REV: A

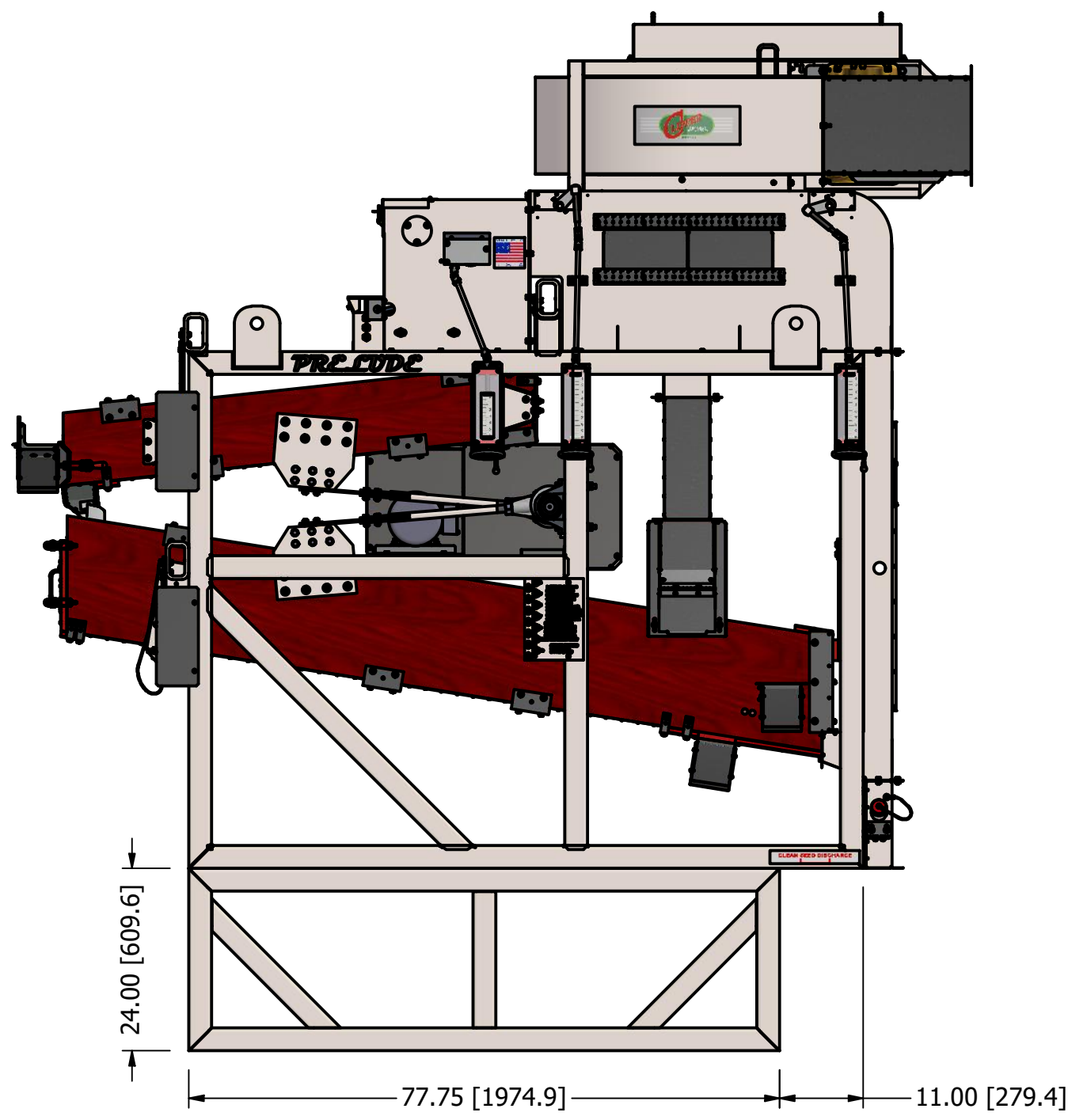
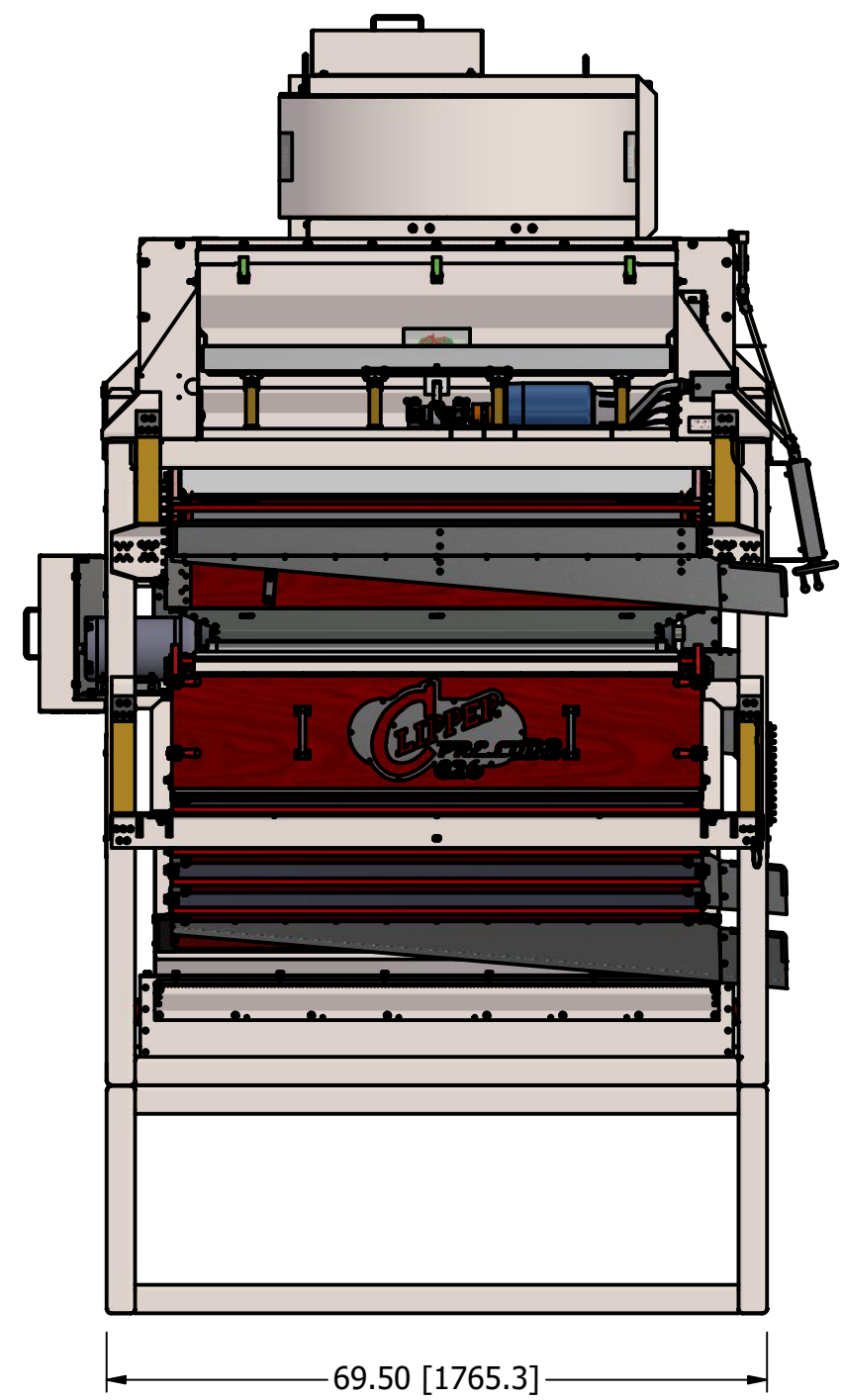
REV	ECN	DESCRIPTION	DATE	APPROVED
A	F180103	RELEASE	1/28/2019	dmjohnson



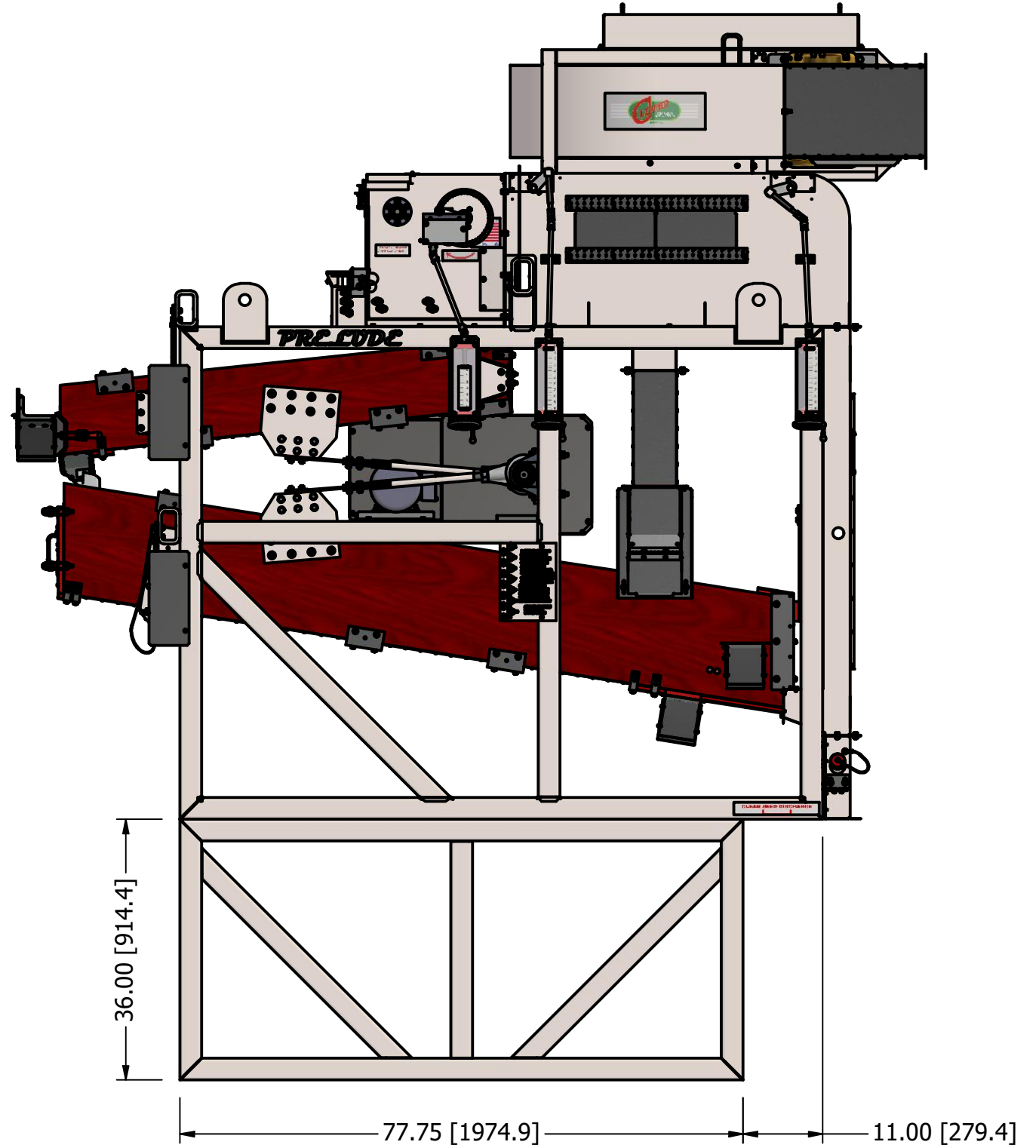
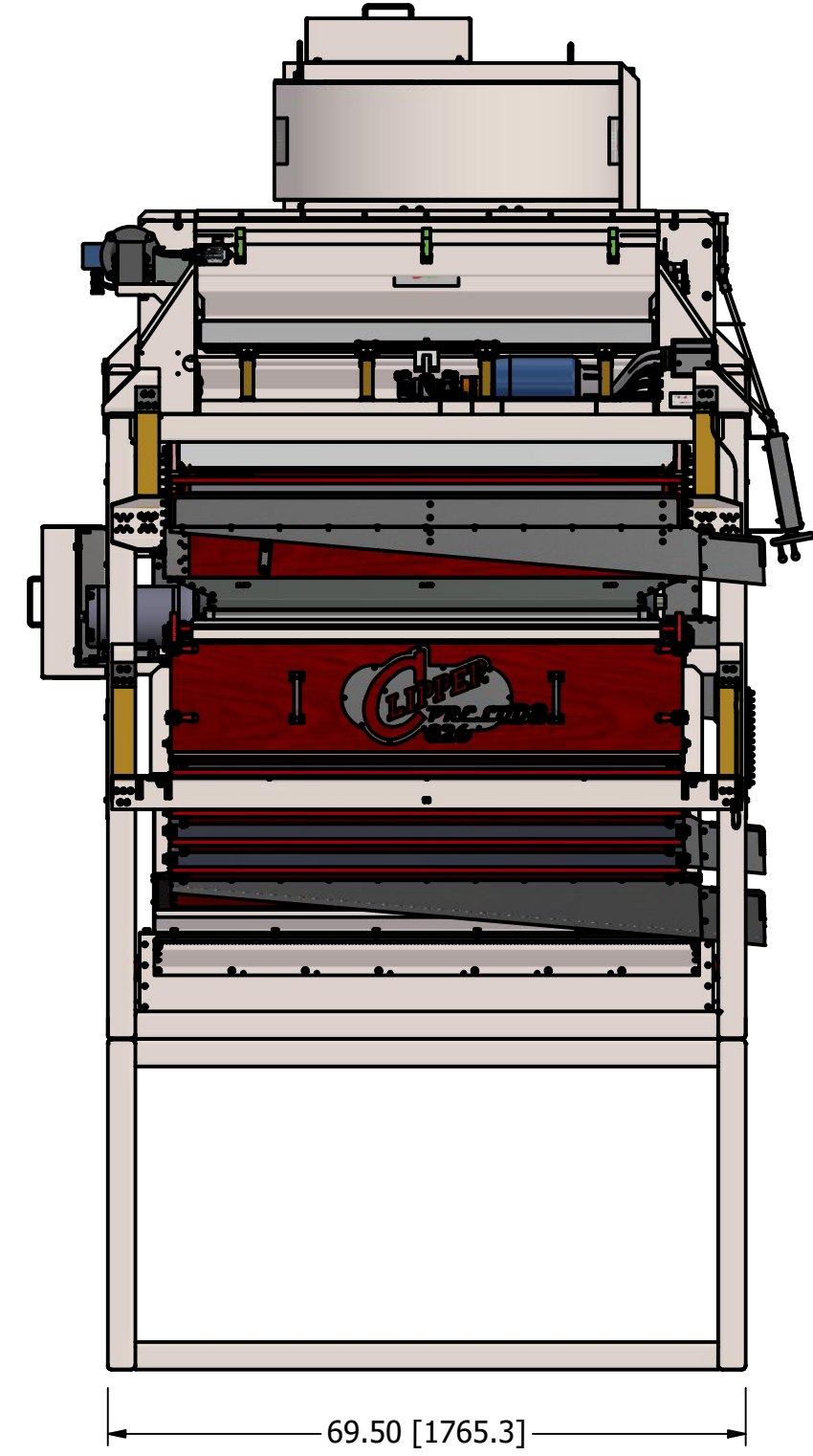
RIGHT SIDE VIEW, BASE MACHINE WITH 48" [1219.2] STAND
 SCALE 0.05 : 1



BOTTOM VIEW, MOUNTING DETAIL: IDENTICAL FOR ALL HEIGHTS



RIGHT SIDE VIEW, BASE MACHINE WITH 24" [609.6] STAND



RIGHT SIDE VIEW, BASE MACHINE WITH 36" [914.4] STAND
 SCALE 0.05 : 1

- NOTES:
- DO NOT SCALE FROM DRAWING.
 - ALTERNATIVE UNITS [X.X] IN MILLIMETERS.
 - .500-1.000" [12.70-25.40mm] TOTAL THROW, BOTH SHOES.
 - CONTACT CLIPPER SALES FOR CFM [CMM] REQUIREMENTS, GIVEN SPECIFIC APPLICATION.
 - SIX, 3/4-8 GRADE 5 BOLTS RECOMMENDED TO LAG FRAME THRU FLOOR JOISTS.
 - RECOMMENDED MAINTENANCE CLEARANCE FROM FRAME: 48" [1219] AT FRONT & SIDES, 12.00" [305] AT REAR.
 - FRAME ASTM A500 GRADE B (UNS K03000) 3.00 X 3.00 X 0.25" PAINTED FINISH.

	DIVISION OF A.T.FERRELL COMPANY 1440 S ADAMS ST BLUFFTON, INDIANA 46714 - USA PH: 260-824-3400 FAX: 260-824-5463	This drawing is the property of the A. T. Ferrell Company, Inc and must be returned immediately upon request. No part of this drawing may be reproduced, stored in a retrieval system or transmitted in any form or by any means, without prior written consent of the A. T. Ferrell Company, Inc.
	DRAWN BY: dmjohnson DRAWN DATE: 1/25/2019 APPROVED BY: DMJ	
TOLERANCES EXCEPT AS NOTED: DECIMAL: FRACTIONAL: XX ± .030 ± 1/32 XXX ± .005 ± 1/64 XXXX ± .001 ± 1/256	TITLE: CLEANER INSTALLATION, RH SPLIT, PRELUDE 826	
CAD NO MANUAL CHANGES	SCALE: 0.05 : 1 SHEET: 3 OF 3 SIZE: D PART NUMBER: F68260000-I	REV: A