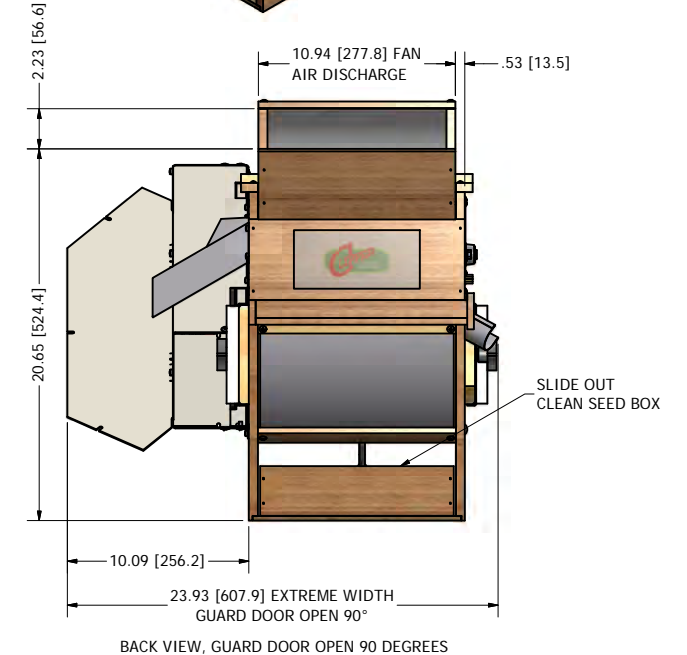
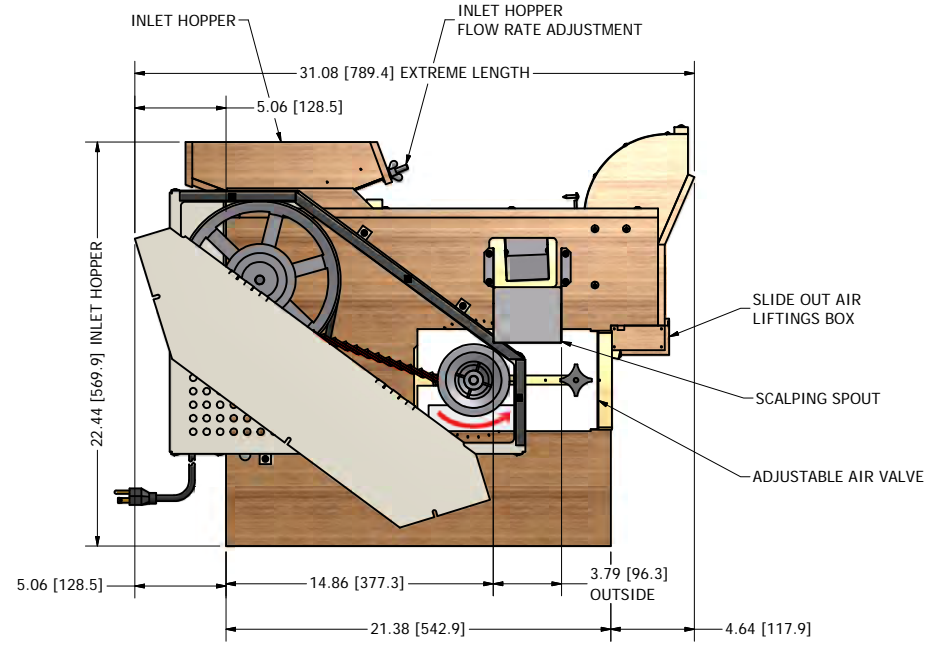
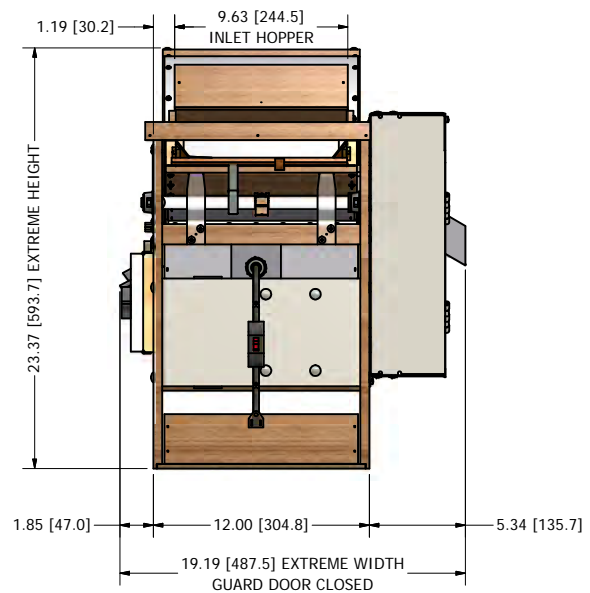
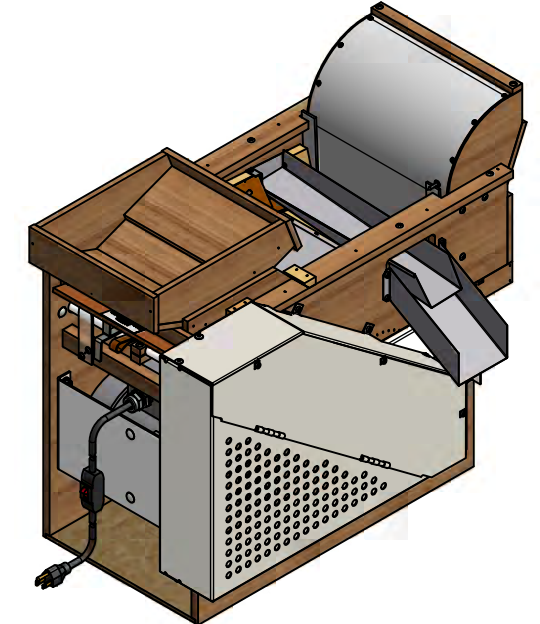
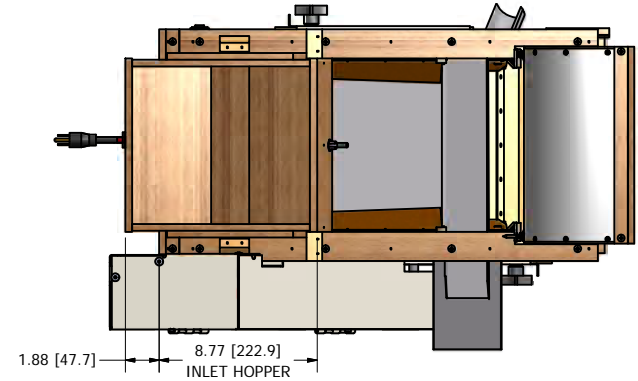
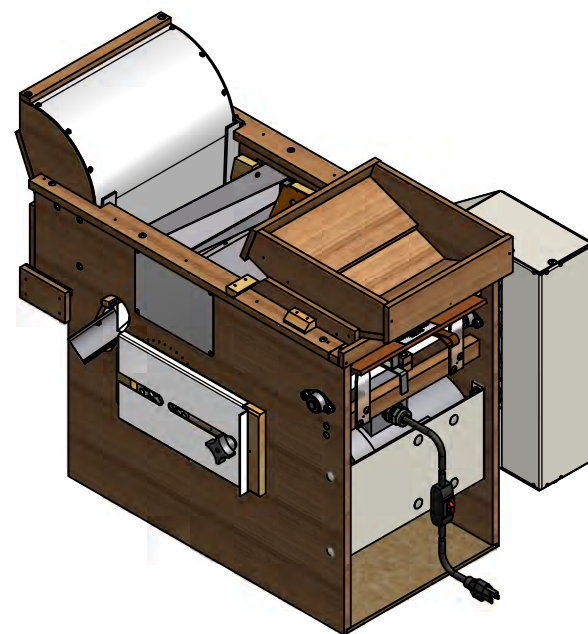


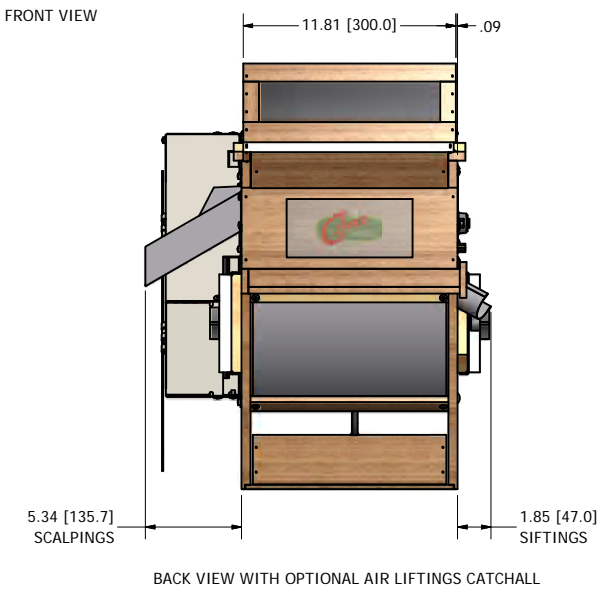
REVISION HISTORY				
REV	ECN	DESCRIPTION	DATE	APPROVED
A	F130171	INSTALLATION DRAWING RELEASED	11/12/2013	DCCLARK



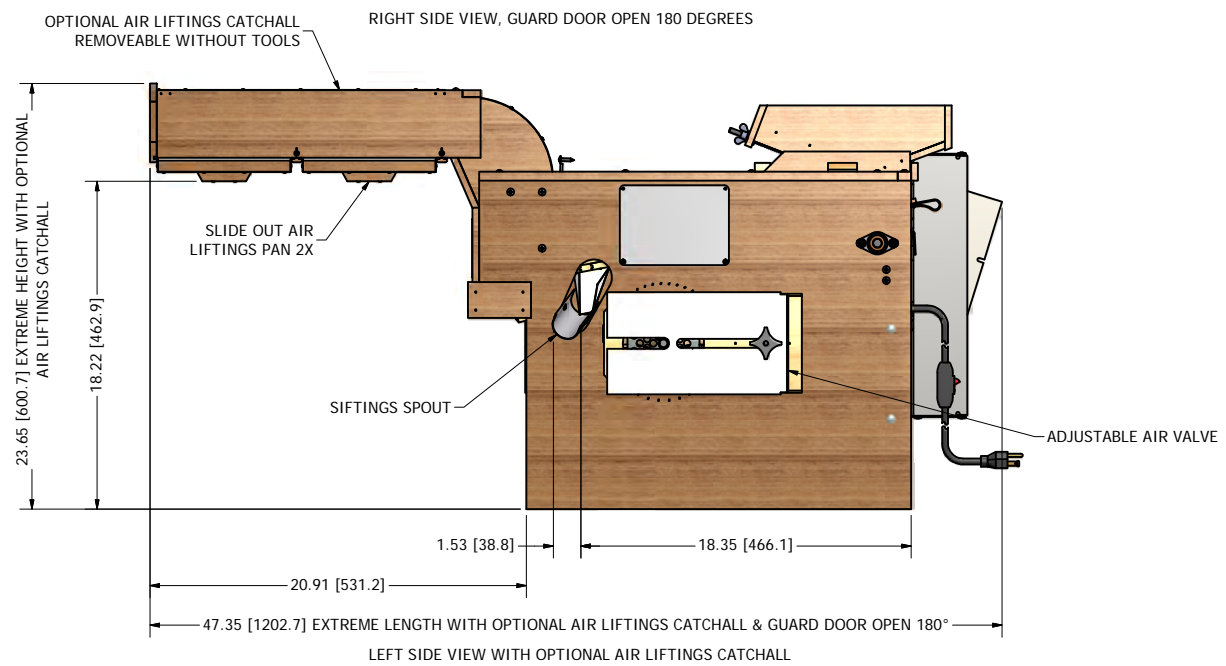
FRONT VIEW

RIGHT SIDE VIEW, GUARD DOOR OPEN 180 DEGREES

BACK VIEW, GUARD DOOR OPEN 90 DEGREES




BACK VIEW WITH OPTIONAL AIR LIFTINGS CATCHALL



LEFT SIDE VIEW WITH OPTIONAL AIR LIFTINGS CATCHALL

- NOTES:
 1. DO NOT SCALE FROM DRAWING.
 2. ALTERNATIVE DIMENSIONS [X.X] IN MILLIMETERS.
 3. WEIGHT AS SHOWN: 75 LBS / 34 KG.

This drawing is the property of the A.T. Ferrell Company, Inc and must be returned immediately upon request. No part of this drawing may be reproduced, stored in a retrieval system or transmitted in any form or by any means, without prior written consent of the A.T. Ferrell Company, Inc	CAD NO MANUAL CHANGES	 DIVISION OF A. T. FERRELL COMPANY BLUFFTON, INDIANA - USA		
	TOLERANCES EXCEPT AS NOTED DECIMAL: .005 .01 .030 FRACTIONAL: 1/32 ANGULAR: 1/2°			FINISH: NONE SCALE: 0.19:1 DRAWN BY: sahamman APPROVED BY: DMJ
	TITLE: CLEANER ASSY, 60 HZ 115V, OFFICE TESTER			SHEET: 1 of 1
	DATE: 10/13/2008 SIZE: D PART NUMBER: F92050308-1			