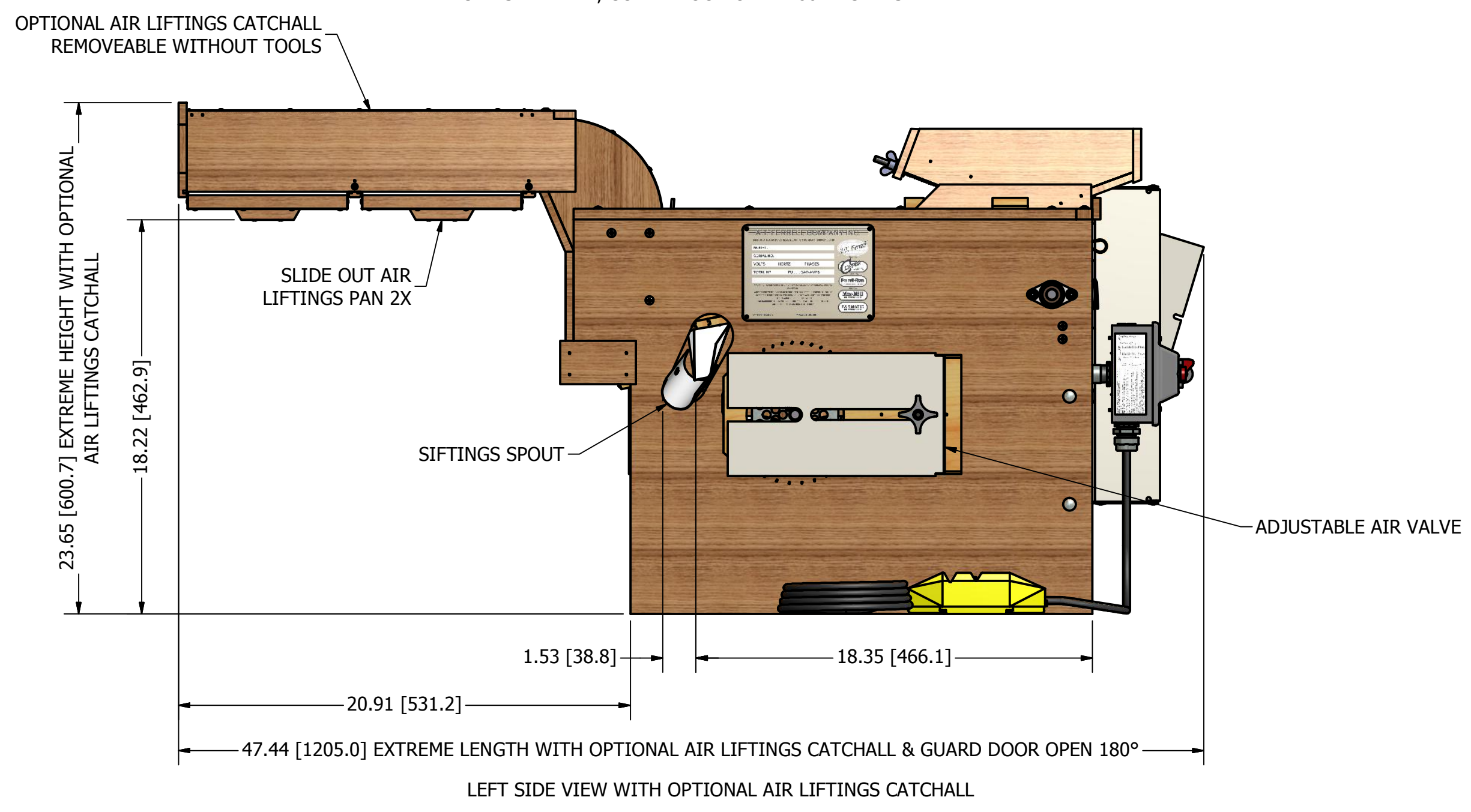
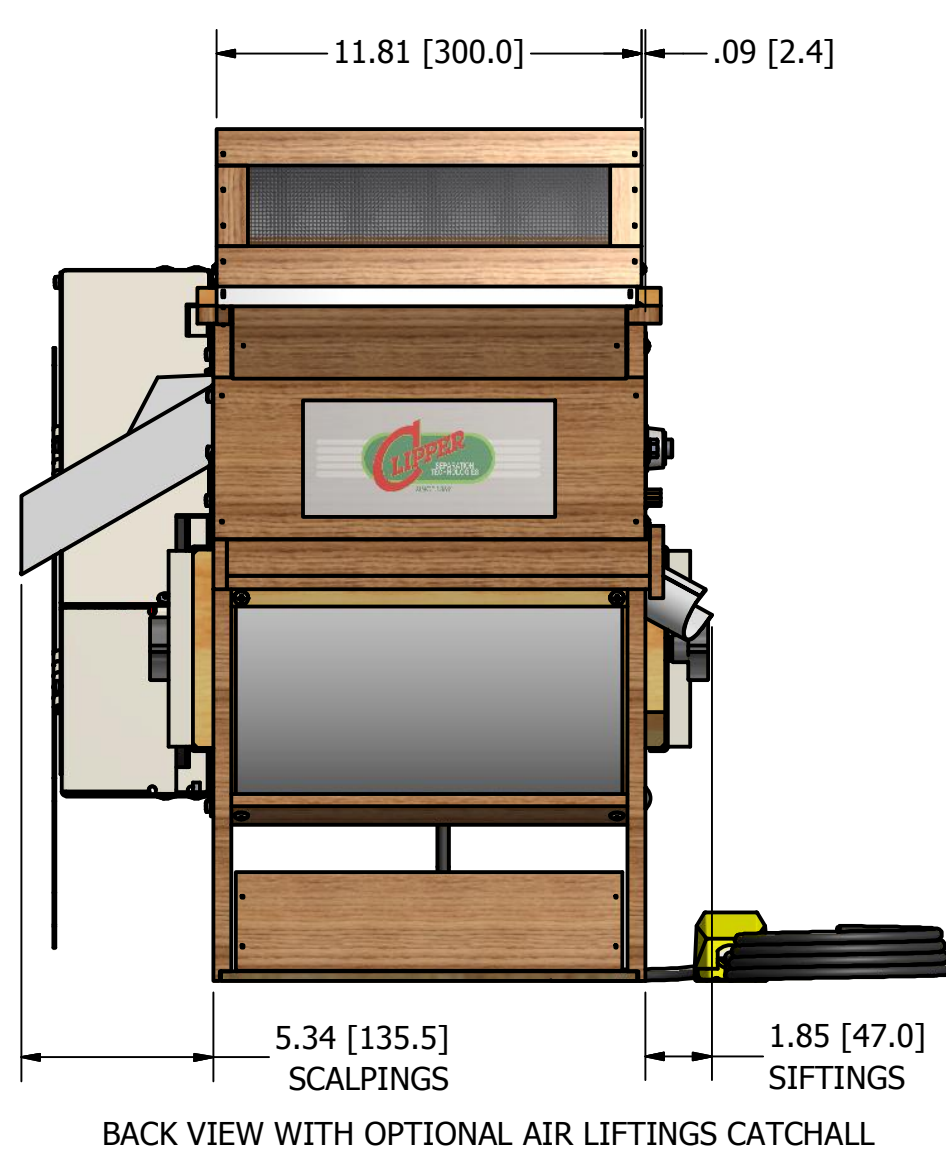
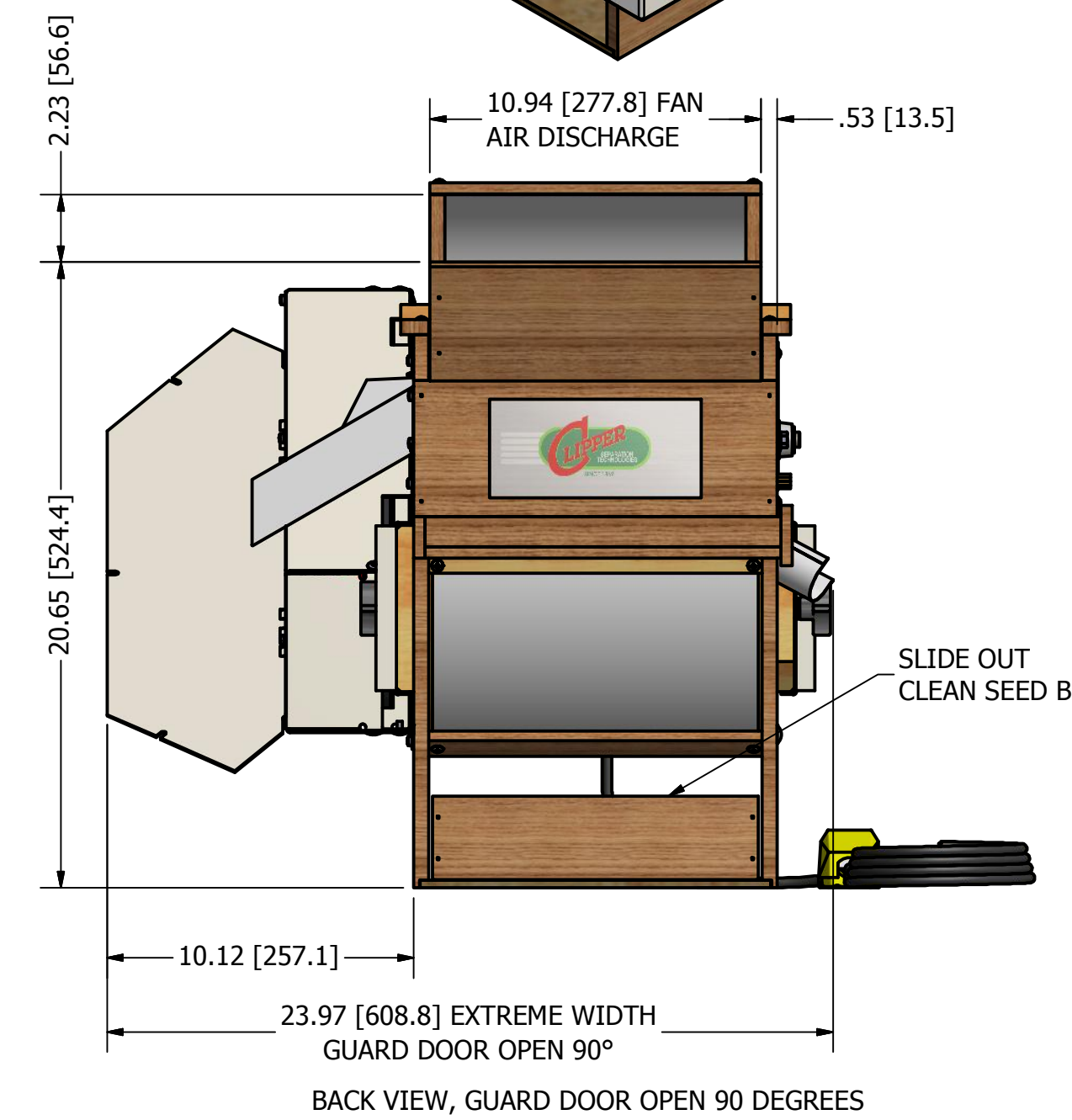
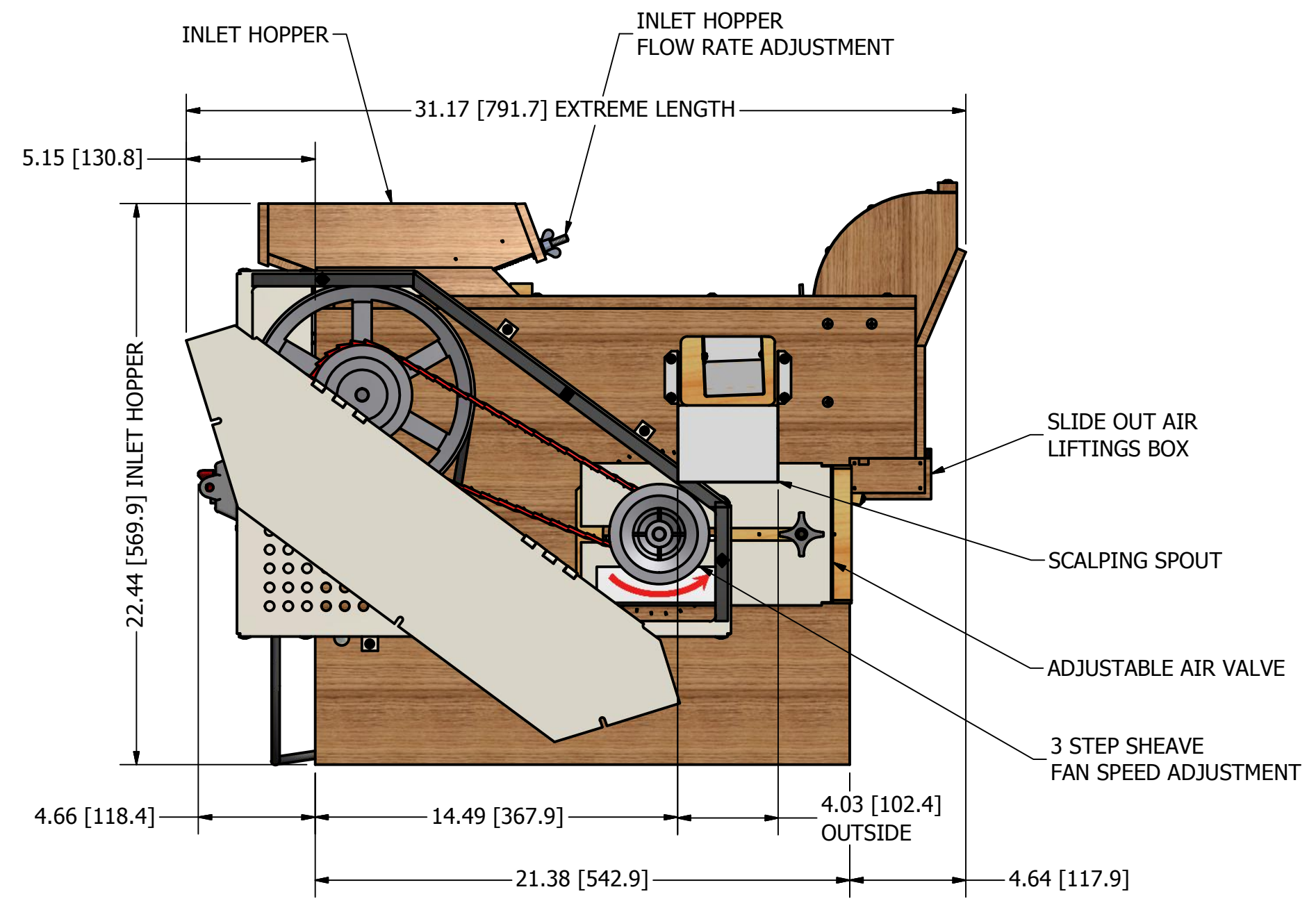
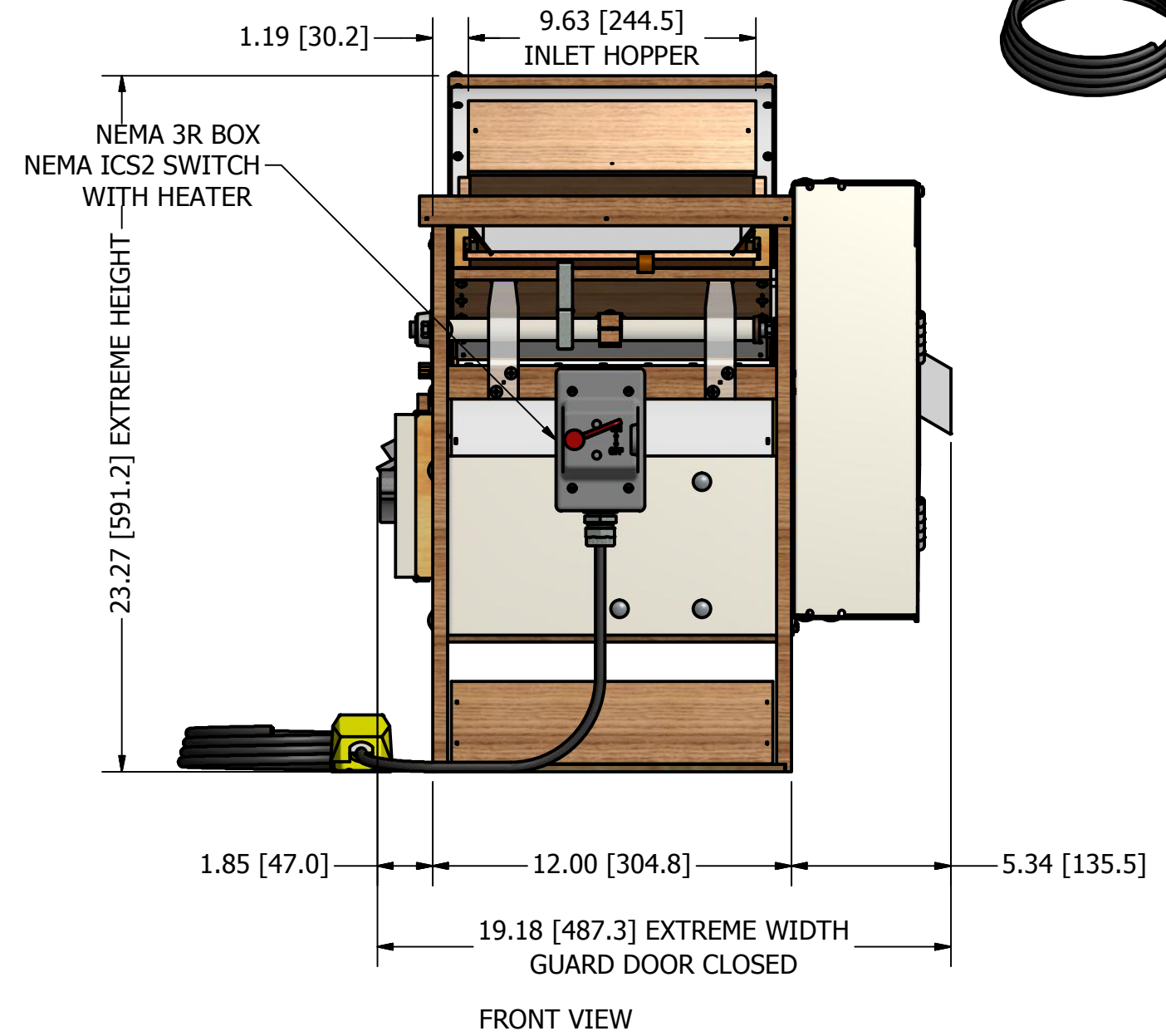
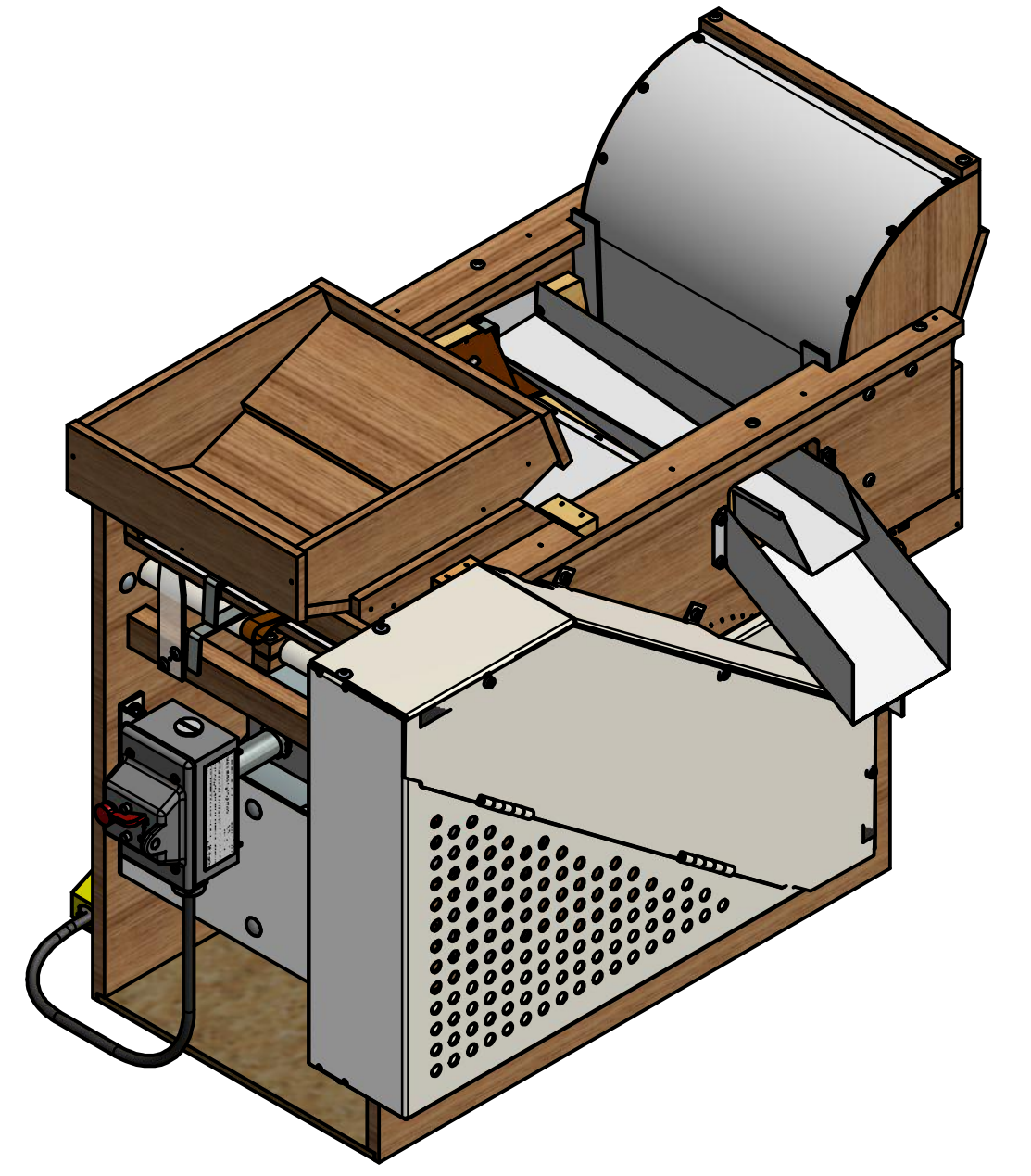
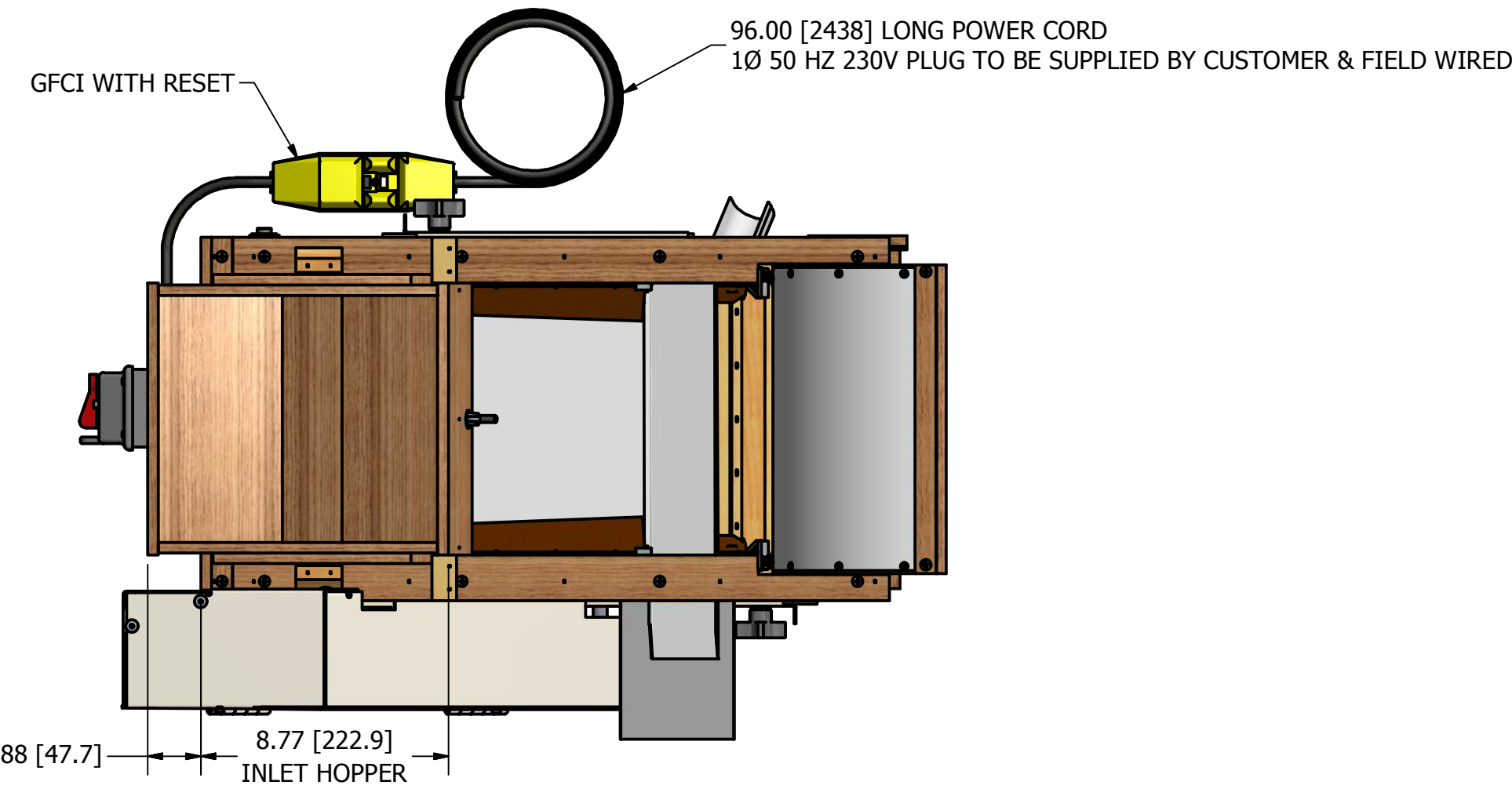
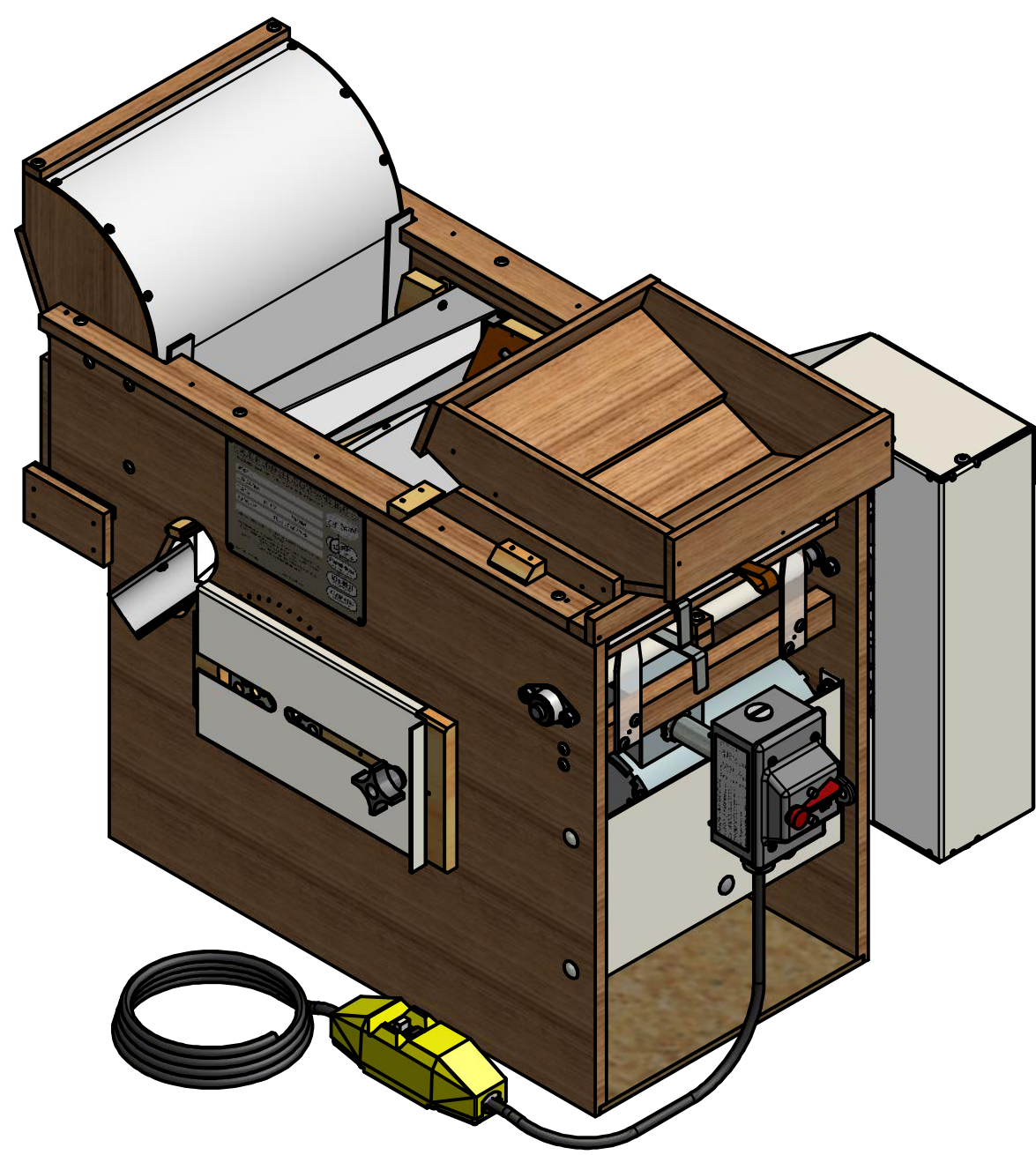



REVISION HISTORY

REV	ECN	DESCRIPTION	DATE	APPROVED
A	F120010	RELEASE PRINT	3/1/2012	dmjohnson
B	F120141	4.02 WAS 3.77"	12/12/2012	dmjohnson



- NOTES:
- DO NOT SCALE FROM DRAWING.
 - ALTERNATIVE DIMENSIONS [X.X] IN MILLIMETERS.
 - 1Ø 50 HZ 230V PLUG TO BE SUPPLIED BY CUSTOMER & FIELD WIRED.
 - WEIGHT AS SHOWN: 75 LBS / 34 KG.

This drawing is the property of the A.T. Ferrell Company, Inc and must be returned immediately upon request. No part of this drawing may be reproduced, stored in a retrieval system or transmitted in any form or by any means, without prior written consent of the A.T. Ferrell Company, Inc	CAD	 DIVISION OF A. T. FERRELL COMPANY SINCE 1869 BLUFFTON, INDIANA - USA	
	NO MANUAL CHANGES	FINISH: NONE	SCALE: 0.19:1
	TOLERANCES EXCEPT AS NOTED	DRAWN BY: dmjohnson	APPROVED BY: DMJ
	DECIMAL: .005 XX ± .005 XX ± .030 FRACTIONAL: 1/32 ANGULAR: ± 1/2	TITLE: CLEANER ASSY, 50 HZ 230V, OFFICE TESTER DATE: 2/21/2012 SIZE: D PART NUMBER: F92050311-1 SHEET: 1 of 1	