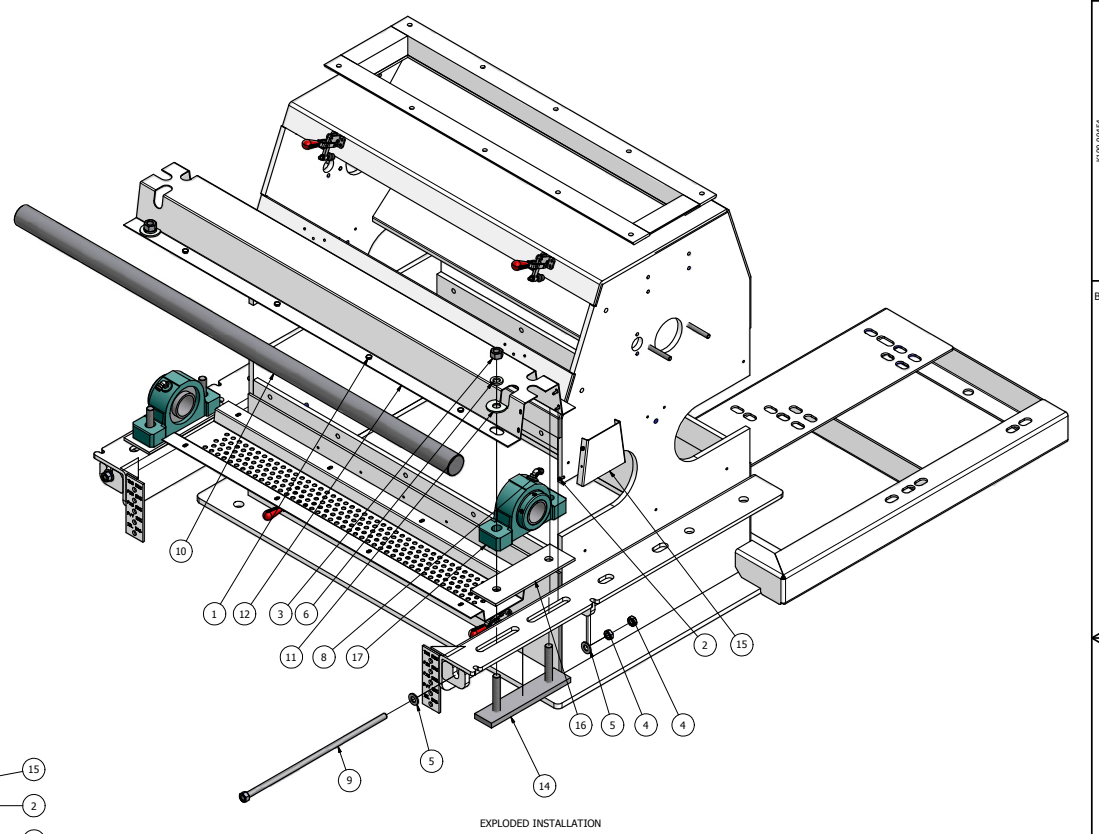
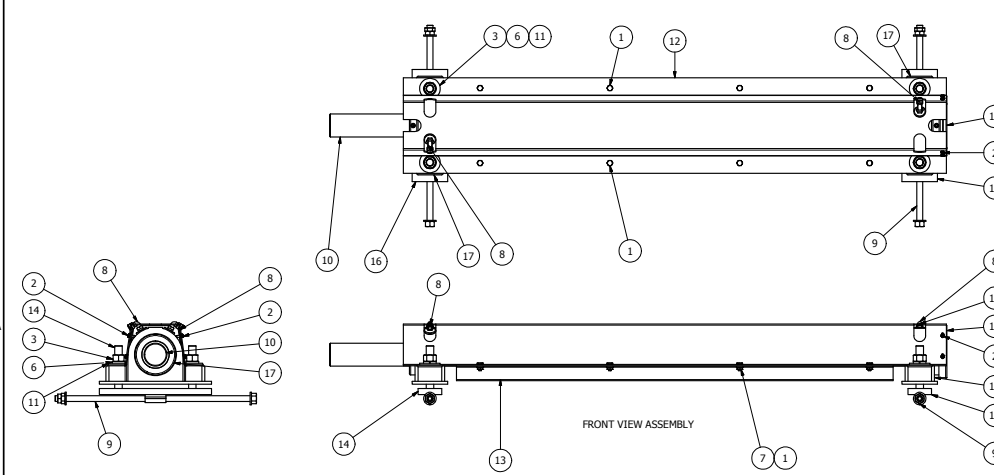
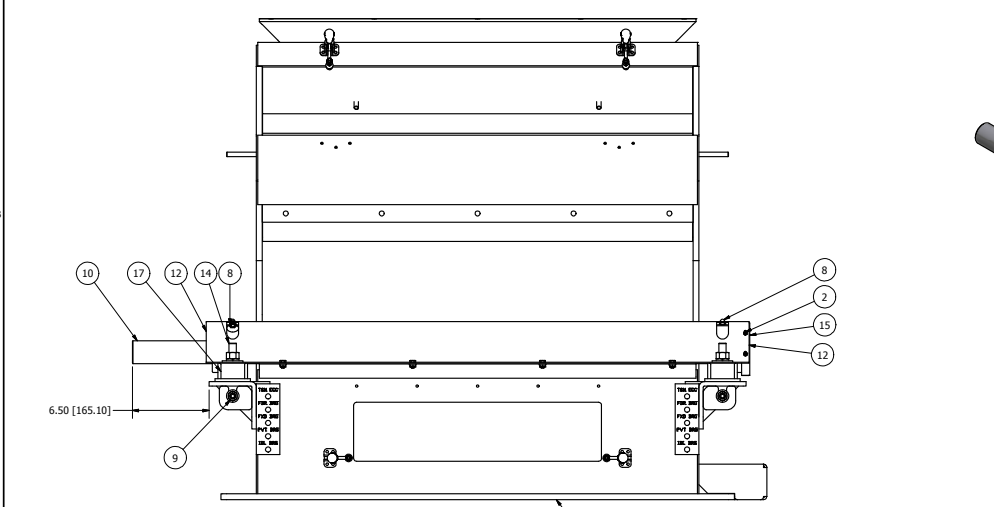


REVISION HISTORY				
REV	FCN	DESCRIPTION	DATE	APPROVED
A	K990047	RELEASED	7/9/1999	AP
B	K080158	REDRAWN IN INVENTOR, WAS GROUP DRAWING, D-SIZE	9/12/2008	pggalea



ITEM	PART NUMBER	QTY	DESCRIPTION
17	K902-11301	2	BRNG, PB 2 HOLE 1.938"
16	K200-10884	2	SPACER, IDLER BEARING 10/12/18"
15	K200-10655	1	END, GUARD, IDLER SHAFT 10.12"
14	K200-10580	2	SLIDE WLDMT, IDLER BEARING, 10-12"
13	K200-01680	1	GUARD, BOTTOM, DIFF IDLER, 10 X 36"
12	K200-01675	1	GUARD, DIFF SHAFT, 10 X 36"
11	K200-01670	4	WASHER, FLAT SHEARED 5/8"
10	K200-00095	1	SHAFT, DIFFERENTIAL IDLER, 10 X 36"
9	K100-01413	2	SCREW WLDMT, IDLER BEARING, XHD 18"
8	70012050	2	CPLG, ELBOW 90 1/8-27M NPT X 1/4" TBG
7	66783300	8	NUT, HEX SERR LOCK 1/4-20
6	66445800	4	WASHER, FLAT HELICAL 5/8"
5	66405200	4	WASHER, FLAT 1/2" TYPE A
4	66105200	4	NUT, HEX JAM 1/2-13
3	66085800	4	NUT, HEX 5/8-11
2	65482212	4	SCW, MACH 8-32 X 1/2" HK SLT HD T/C
1	62583312	8	HMCS, 1/4-20 X 1/2"

This drawing is the property of the A.T. Ferrell Company, Inc and must be returned immediately upon request. No part of this drawing may be reproduced, stored in a retrieval system or transmitted in any form or by any means, without prior written consent of the A.T. Ferrell Company, Inc.

CAD
NO MANUAL CHANGES EXCEPT AS NOTED

NOV 11 2008 8:29 AM

PROJECTION: FIRST ANGLE

SCALE: 0.19:1

DRAWN BY: pggalea

APPROVED BY:

DATE: 9/11/2008

SIZE: D

PART NUMBER: K100-00454

SHEET: 1 of 1

Ferrell-Ross
NATURAL PROCESSING & MILLING

DIVISION OF A.T. FERRELL COMPANY, INC. | SHEET 001 | BLUEFTON, INDIANA, USA

NOTES:
 1. DO NOT SCALE FROM DRAWING.
 2. TWO PIECES REQUIRED PER K000-00625: ROLLER MILL ASSY, 2 HI RH, STD. 10 X 36".
 3. ONE PIECE REQUIRED PER K000-01234: ROLLER MILL ASSY, SINGLE HIGH, RH RF 1.0:1-1.5:1 10 X 36".
 4. ONE PIECE REQUIRED PER K000-01240: ROLLER MILL ASSY, SINGLE HIGH, RH STD. 10 X 36".
 5. TWO PIECES REQUIRED PER K000-01245: ROLLER MILL ASSY, 2 HI, RH, STD. 10 X 36".
 6. TWO PIECES REQUIRED PER K000-01284: ROLLER MILL ASSY, 2 HI, LH, STD. 10 X 36".