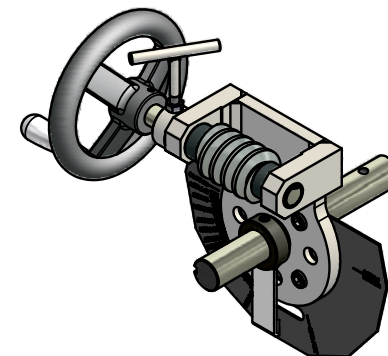


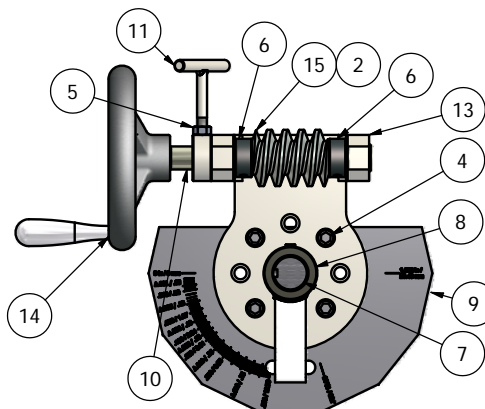
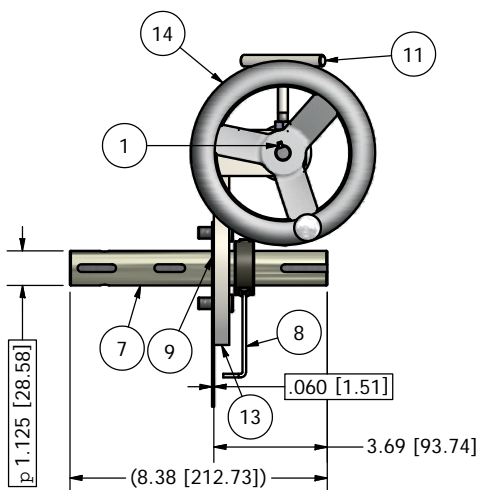
REVISION HISTORY				
REV	ECN	DESCRIPTION	DATE	APPROVED
A	K880108	RELEASE	5/4/1988	RV
B	K950172	RELEASE PRINT	11/27/1995	DMJOHNSON
C	K070187	DELETE 70011516(2), ADD 66083800(1)	2/3/2008	DMJOHNSON
E	K110125	UPDATED PART K200-00656	6/10/2011	SH



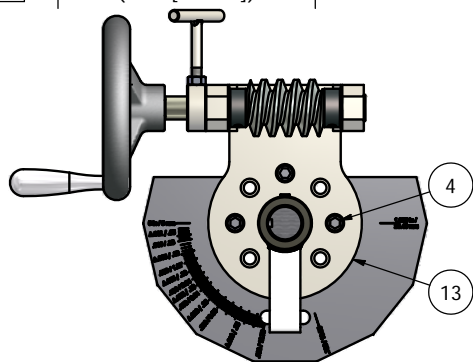
K100-00486

B

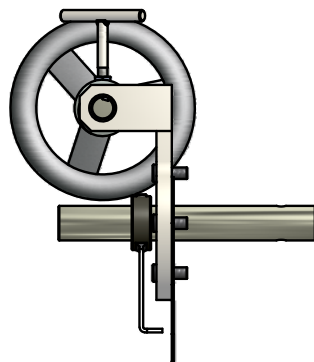
B



MOUNTING DETAIL-HORIZONTAL



MOUNTING DETAIL-45 DEGREE



15	K922-00601	1	WORM, MICRO ROLL RELEASE 10/12"
14	K905-00101	1	HANDWHEEL, AL, 6" OD 0.5" ID W/ KEY
13	K200-00911	1	BRACKET WLDMT, MICRO ROLL RELEASE, RH 10/12"
12	K200-00668	1	GEAR, WORM, MICRO ROLL RELEASE, 10/12"
11	K200-00665	1	T SCREW WLDMT, MICRO ROLL RELEASE
10	K200-00659	1	SHAFT, WORM GEAR, MICRO, 10/12"
9	K200-00656	1	PLT, INDICATOR, RH MICRO ROLL RLSE, 10"
8	K200-00655	1	INDICATOR WLDMT, MICRO ROLL RLSE 10"
7	K200-00107	1	SHAFT, ECCENTRIC, LONG, 10"
6	F01102002	2	COLLAR, SET .750 X 1.25 X .56"
5	66083800	1	NUT, HEX 5/16-18
4	61284417	4	SHCS, 3/8-16 X 3/4"
3	49000616	1	KEY, SQUARE 1/4 X 1.00"
2	49000424	1	KEY, CS 3/16 X 3/16 X 1.5"
1	49000216	1	KEY CS 1/8 X 1/8 X 1
ITEM	PART NUMBER	QTY	DESCRIPTION

A

A

- NOTES:
- DO NOT SCALE FROM DRAWING.
 - SEE SHEET 2 FOR EXPLOSION & COMPLETE ASSEMBLY.
 - ALTERNATIVE DIMENSIONS [X.X] IN MILLIMETERS.

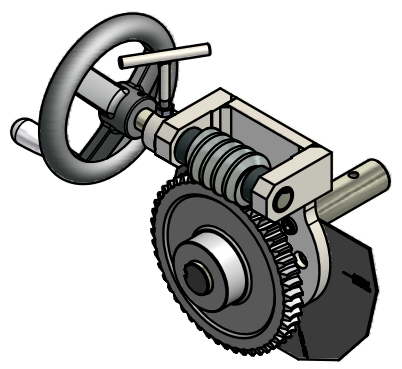
This drawing is the property of the A.T. Ferrell Company, Inc and must be returned immediately upon request. No part of this drawing may be reproduced, stored in a retrieval system or transmitted in any form or by any means, without prior written consent of the A.T. Ferrell Company, Inc.		E CF NO MANUAL CHANGES VQNGTCEP EGU EXCEPT AS NOTED			
DIVISION OF A. T. FERRELL COMPANY	BLUFFTON, INDIANA - USA	SCALE: 1:4	DRAWN BY: dcclark		
DECIMAL: xxx ± .005 xx ± .030	FINISH: NONE	TITLE: RELEASE ASSY, MICRO ROLL, RH 10/12"			
FRACTIONAL: ± 1/32	DATE: 1/28/2008	SIZE: B	PART NUMBER: K100-00486	SHEET: 1 of 2	
ANGULAR: ± 1/2-					

2

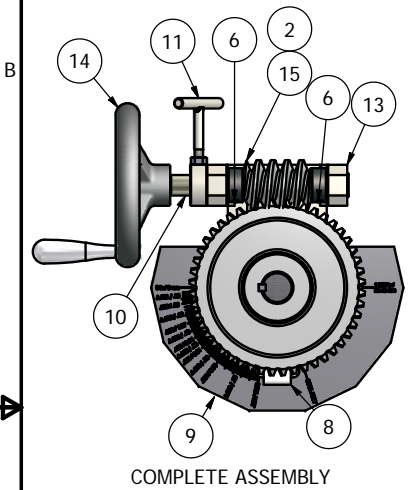


1

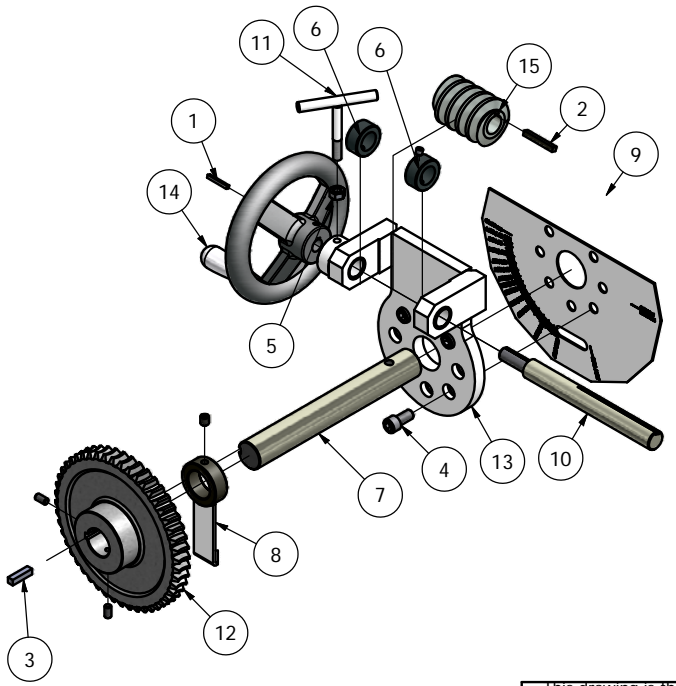
REVISION HISTORY				
REV	ECN	DESCRIPTION	DATE	APPROVED
A	K880108	RELEASE	5/4/1988	RV
B	K950172	RELEASE PRINT	11/27/1995	DMJOHNSON
C	K070187	DELETE 70011516(2), ADD 66083800(1)	2/3/2008	DMJOHNSON
E	K110125	UPDATED PART K200-00656	6/10/2011	SH



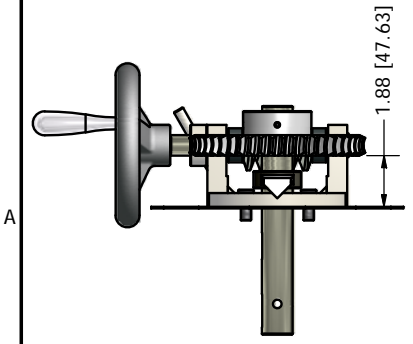
K100-00486



COMPLETE ASSEMBLY



EXPLOSION



1.88 [47.63]

ITEM	PART NUMBER	QTY	DESCRIPTION
15	K922-00601	1	WORM, MICRO ROLL RELEASE 10/12"
14	K905-00101	1	HANDWHEEL, AL, 6" OD 0.5" ID W/ KEY
13	K200-00911	1	BRACKET WLDMT, MICRO ROLL RELEASE, RH 10/12"
12	K200-00668	1	GEAR, WORM, MICRO ROLL RELEASE, 10/12"
11	K200-00665	1	T SCREW WLDMT, MICRO ROLL RELEASE
10	K200-00659	1	SHAFT, WORM GEAR, MICRO, 10/12"
9	K200-00656	1	PLT, INDICATOR, RH MICRO ROLL RLSE, 10"
8	K200-00655	1	INDICATOR WLDMT, MICRO ROLL RLSE 10"
7	K200-00107	1	SHAFT, ECCENTRIC, LONG, 10"
6	F01102002	2	COLLAR, SET .750 X 1.25 X .56"
5	66083800	1	NUT, HEX 5/16-18
4	61284417	4	SHCS, 3/8-16 X 3/4"
3	49000616	1	KEY, SQUARE 1/4 X 1.00"
2	49000424	1	KEY, CS 3/16 X 3/16 X 1.5"
1	49000216	1	KEY CS 1/8 X 1/8 X 1

- NOTES:
1. DO NOT SCALE FROM DRAWING.
2. SEE SHEET 2 FOR EXPLOSION & COMPLETE ASSEMBLY.
3. ALTERNATIVE DIMENSIONS [X.X] IN MILLIMETERS.

This drawing is the property of the A.T. Ferrell Company, Inc and must be returned immediately upon request. No part of this drawing may be reproduced, stored in a retrieval system or transmitted in any form or by any means, without prior written consent of the A.T. Ferrell Company, Inc.		E CF NO MANUAL CHANGES VQNGT'CP E GU EXCEPT AS NOTED			
DIVISION OF A. T. FERRELL COMPANY		BLUFFTON, INDIANA - USA		SCALE: 1:4	
DECIMAL: xxx ± .005 xx ± .030		FINISH: NONE		DRAWN BY: dclark	
FRACTIONAL: ± 1/32		TITLE: RELEASE ASSY, MICRO ROLL, RH 10/12"		APPROVED BY: DMJ	
ANGULAR: ± 1/2~		DATE: 1/28/2008		SIZE: B	
		PART NUMBER: K100-00486		SHEET: 2 of 2	

2



1