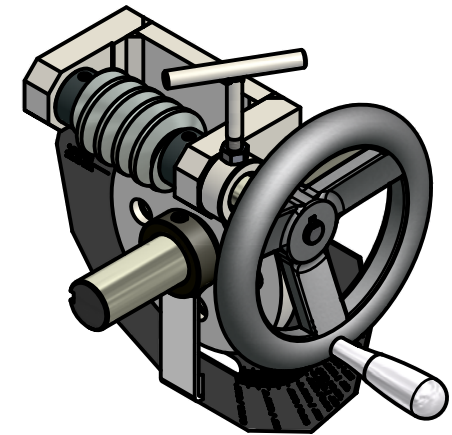
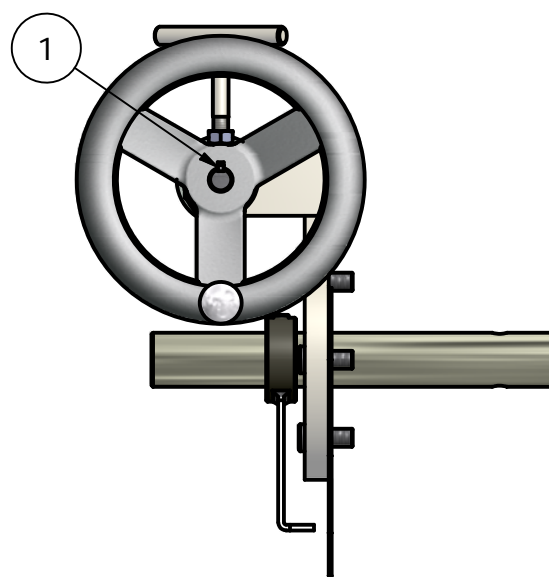
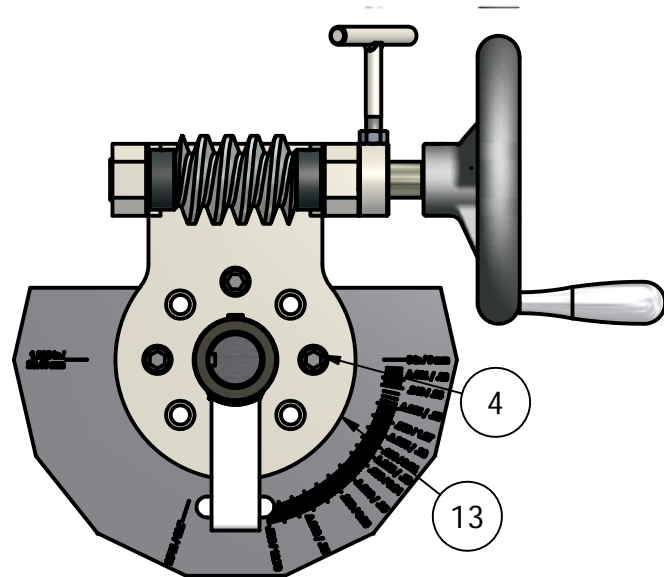
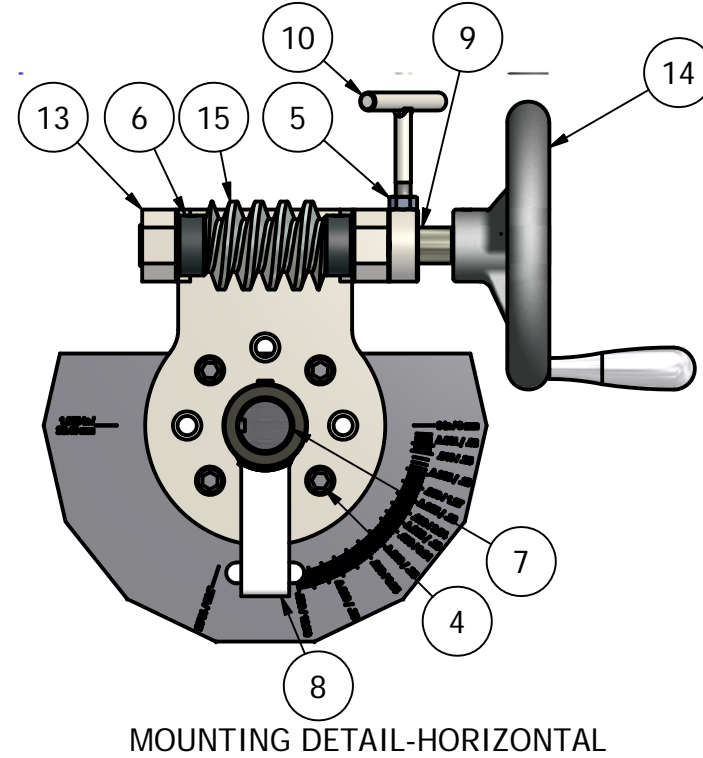
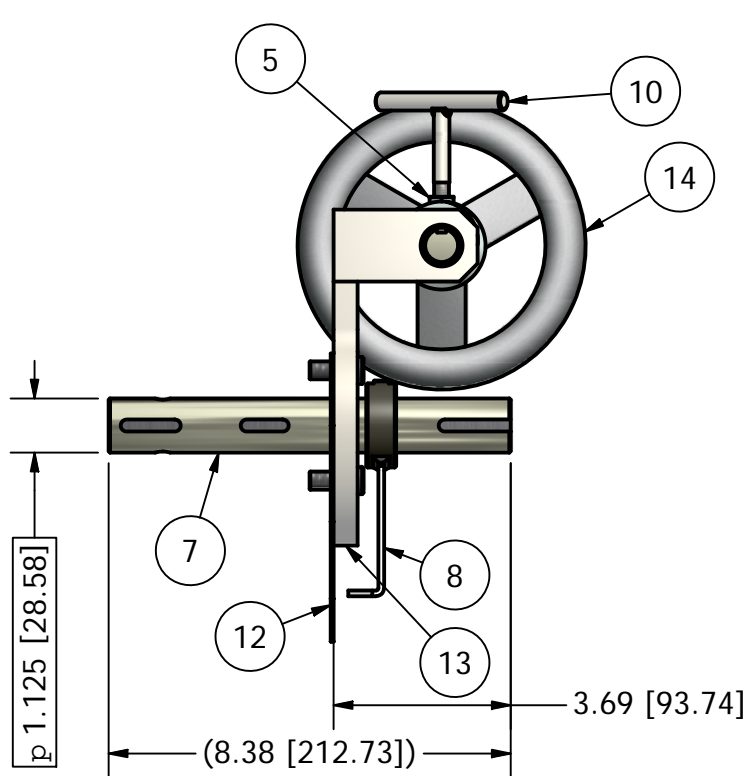


REVISION HISTORY

REV	ECN	DESCRIPTION	DATE	APPROVED
A	K090286	REDRAWN IN INVENTOR	10/19/2009	SH
B	K110070	NEW K905-00101, REMOVE 66106500 & SLEEVE, ADD 49000216	4/4/2011	dcclark
C	K110125	CHG PARTS K200-00693 WAS K200-00656	6/10/2011	SH



K100-00487



MOUNTING DETAIL-45 DEGREE

MOUNTING DETAIL-HORIZONTAL

- NOTES:
1. DO NOT SCALE FROM DRAWING.
2. SEE SHEET 2 FOR EXPLOSION & COMPLETE ASSEMBLY.
3. ALTERNATIVE DIMENSIONS [X.X] IN MILLIMETERS.

ITEM	PART NUMBER	QTY	DESCRIPTION
15	K922-00601	1	WORM, MICRO ROLL RELEASE 10/12"
14	K905-00101	1	HANDWHEEL, AL, 6" OD 0.5" ID W/ KEY
13	K200-00912	1	BRACKET WLDMT, MICRO ROLL RELEASE, LH 10/12"
12	K200-00693	1	PLATE, INDICATOR, LH MICRO ROLL RELEASE, 10"
11	K200-00668	1	GEAR, WORM, MICRO ROLL RELEASE, 10/12"
10	K200-00665	1	T SCREW WLDMT, MICRO ROLL RELEASE
9	K200-00659	1	SHAFT, WORM GEAR, MICRO, 10/12"
8	K200-00655	1	INDICATOR WLDMT, MICRO ROLL RLSE 10"
7	K200-00107	1	SHAFT, ECCENTRIC, LONG, 10"
6	F01102002	2	COLLAR, SET .750 X 1.25 X .56"
5	66083800	1	NUT, HEX 5/16-18
4	61284417	4	SHCS, 3/8-16 X 3/4"
3	49000616	1	KEY, SQUARE 1/4 X 1.00"
2	49000424	1	KEY, CS 3/16 X 3/16 X 1.5"
1	49000216	1	KEY CS 1/8 X 1/8 X 1

This drawing is the property of the A.T. Ferrell Company, Inc and must be returned immediately upon request. No part of this drawing may be reproduced, stored in a retrieval system or transmitted in any form or by any means, without prior written consent of the A.T. Ferrell Company, Inc

<p>E C F</p> <p>NO MANUAL CHANGES</p> <p>VQ NGT CP B GU EXCEPT AS NOTED</p> <p>DECIMAL: xxx ± .005 xx ± .030</p> <p>FRACTIONAL: ± 1/32</p> <p>ANGULAR: ± 1/2~</p>	<p>Ferrell-Ross</p> <p>MATERIALS PROCESSING & RECOVERY</p> <p>SINCE 1869</p>		<p>DIVISION OF A. T. FERRELL COMPANY</p> <p>BLUFFTON, INDIANA - USA</p>	
	<p>FINISH: NONE</p>	<p>SCALE: 1:4</p>	<p>DRAWN BY: dcclark</p>	<p>APPROVED BY: DMJ</p>
	<p>TITLE: RELEASE ASSY, MICRO ROLL, LH 10/12"</p>			
	<p>DATE: 10/14/2009</p>	<p>SIZE: B</p>	<p>PART NUMBER: K100-00487</p>	<p>SHEET: 1 of 2</p>

2

1

2

1