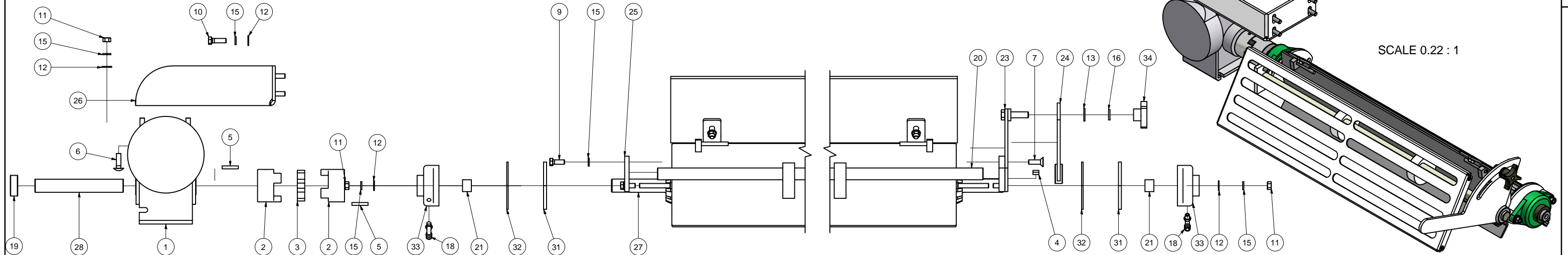
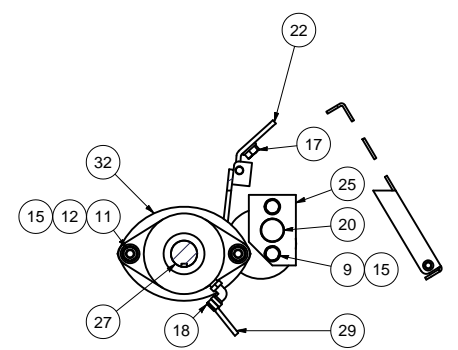
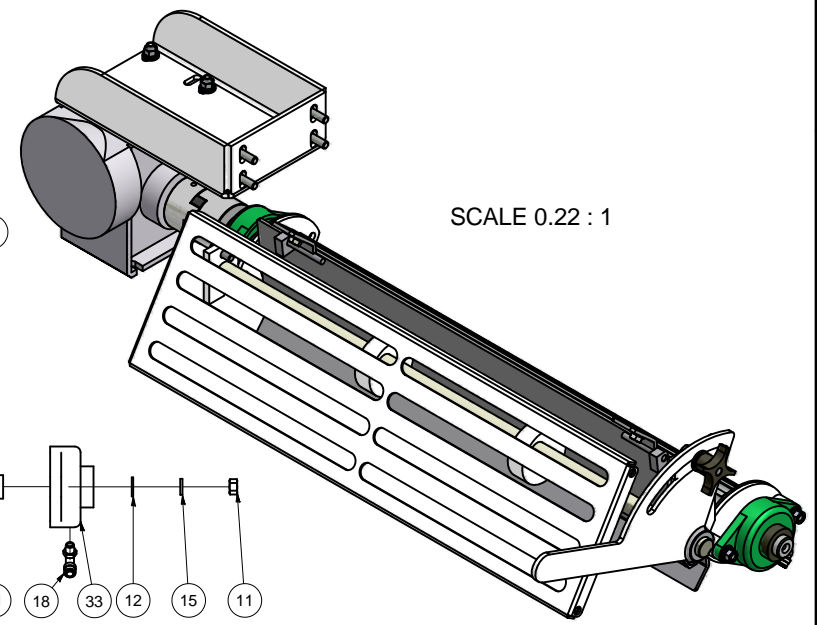


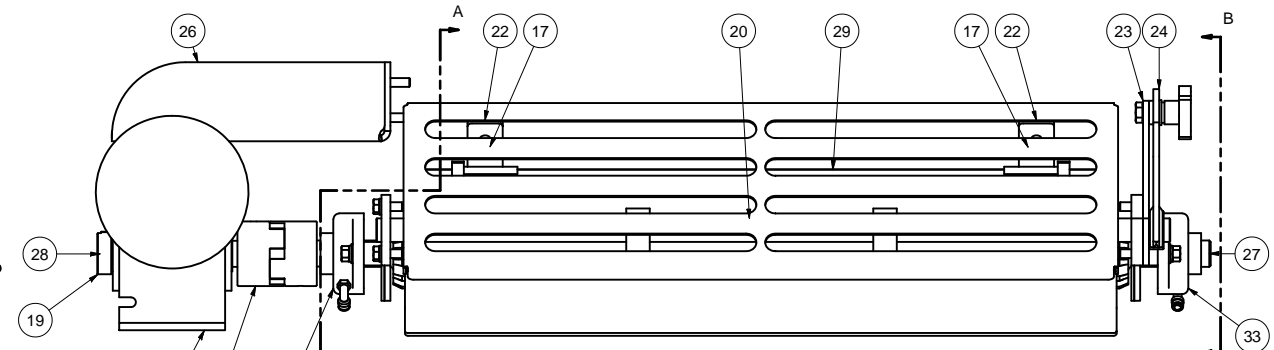
REVISION HISTORY					
ZONE	REV	LTR	DESCRIPTION	DATE	APPROVED
1	A	K050050	RELEASE PRINT, ADD K100-00662 COMPONENTS	11/30/2005	DMJOHNSON



FRONT VIEW-EXPLODED

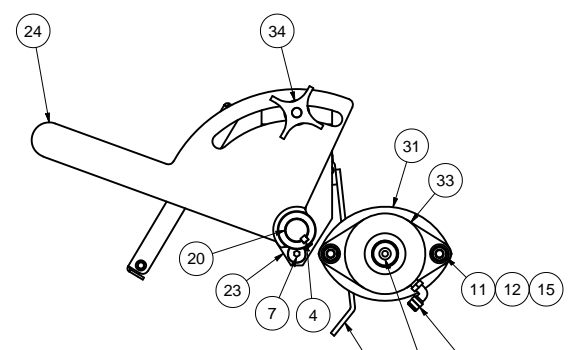


SECTION A-A  
SCALE 1 / 4

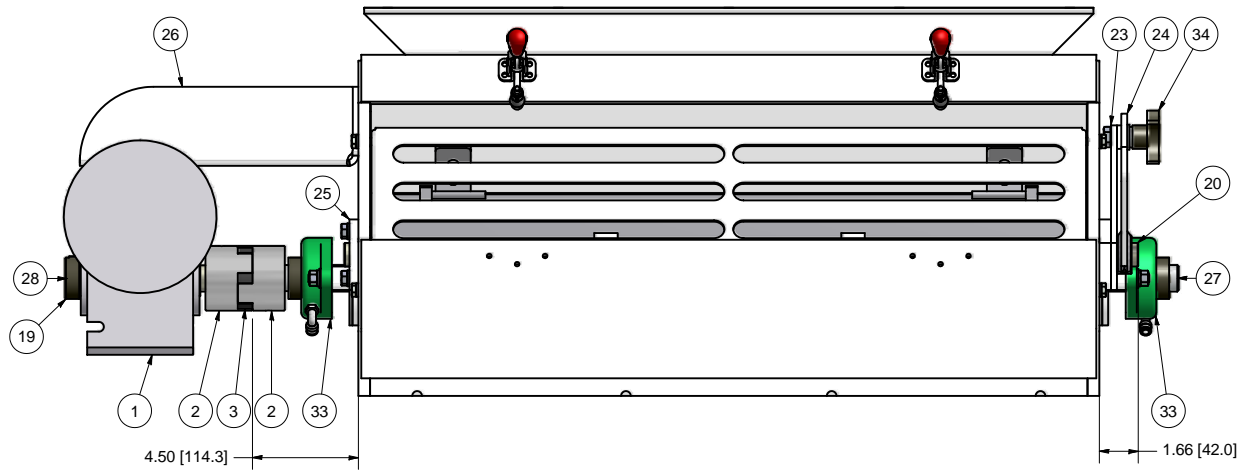
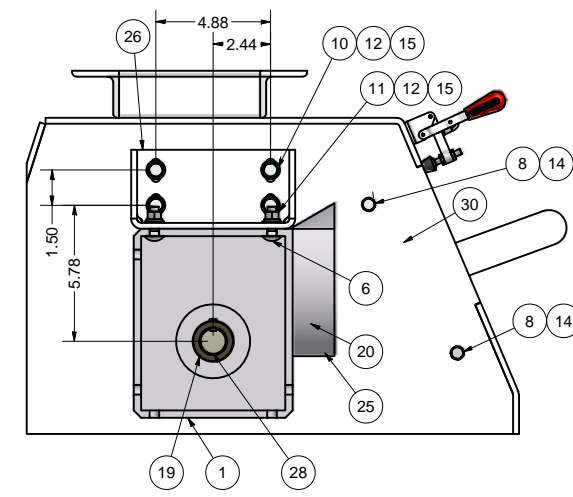


FRONT VIEW-LESS HOUSING & GUARD

FRONT VIEW



VIEW B-B  
SCALE 1 / 4



34	K910-01261	1	KNOB, CAST 1/2-13 OPEN
33	K902-04401	2	BRNG, F2B-SXV-102 1.125" W/COLLAR
32	K201-05365	2	SPACER, FEED ROLL, TEFLON
31	K201-05364	2	SPACER, BRNG OUTER, FEED ROLL 10-12"
30	K200-05607	1	GUARD, NIP, ROLL FEED 10 X 30"
29	K200-01954	1	GATE WLDMT, FEED ROLL 10 X 30"
28	K200-01254	1	SHAFT, CPLG, SCR ROLL FD 1.13" 10-12"
27	K200-01228	1	ROLL, FEED SCR 10 X 30"
26	K200-01024	1	MNT, RDCR, SCR ROLL FDR 10-12"
25	K200-00894	1	PLATE, COVER, FEED GATE ECC, 10-12"
24	K200-00831	1	HANDLE WLDMT, ECC FEED GATE 10-12"
23	K200-00830	1	BRKT WLDMT, LEVER FEED GATE 10-12"
22	K200-00820	2	HINGE, FEEDER GATE 10-12"
21	K200-00787	4	BUSHING, FEED ROLL, 10"
20	K100-00622	1	SHAFT WLDMT, ECC FEED GATE 10X30"
19	80012006	1	COLLAR, SET 1.125"
18	70012050	2	CPLG, ELBOW 90 1/8-27M NPT X 1/4" TBG
17	66784400	2	NUT, HEX SERR LOCK 3/8-16
16	66445200	1	WASHER, LOCK HELICAL 1/2"
15	66444400	14	WASHER, LOCK HELICAL 3/8"
14	66443800	4	WASHER, LOCK HELICAL 5/16"
13	66405200	1	WASHER, FLAT 1/2" TYPE A
12	66404400	12	WASHER, FLAT 3/8" NARROW TYPE A
11	66084400	8	NUT, HEX 3/8-16
10	62584426	4	HHCS, 3/8-16 X 1.25"
9	62584422	2	HHCS, 3/8-16 X 1.00"
8	62583826	4	HHCS, 5/16-18 X 1.25"
7	61304426	2	SCW, CAP FLT SCKT HD 3/8-16X1.25"
6	60284426	2	BOLT, CARR 3/8-16 X 1.25"
5	49000622	4	KEY, SQUARE 1/4 X 1.38"
4	49000608	1	KEY, 1/4" SQ X 1/2"
3	40005519	1	INSERT, CPLG JS5N NEOPRENE
2	40005518	2	CPLG, HALF 1.125" CHJP5
1	40002610	1	GEAR RDCR, 56C/1750 15:1 1.125"

NOTES:  
 1. DO NOT SCALE FROM DRAWING.  
 2. LINE ITEM ON SALES ORDER, ONE PIECE PER 10 X 24" ROLL FEED MILL.  
 3. RIGHT HAND ASSEMBLY SHOWN. ASSEMBLE SYMMETRICALLY OPPOSITE OFR LEFT HAND DRIVE ARRANGEMENT.  
 4. 3/4 HP C-FACE MOTOR & CONTROLLER ARE LINE ITEMS ON SALES ORDER.  
 5. ALTERNATIVE DIMENSIONS [X.X] IN MILLIMETERS.

This drawing is the property of the A.T. Ferrell Company, Inc. and must be returned immediately upon request. No part of this drawing may be reproduced, stored in a retrieval system or transmitted in any form or by any means, without prior written consent of the A.T. Ferrell Company, Inc.

E C P  
 NO MANUAL CHANGES  
 EXCEPT AS NOTED

DIVISION OF A. T. FERRELL COMPANY  
 SINCE 1967  
 BLUFFTON, INDIANA - USA

DECIMAL: xxx = .005 xx = .030	FINISH: NONE	SCALE: 1:4	DRAWN BY: dmjohnson	APPROVED BY: DMJ
FRACTIONAL: = 1/32	TITLE: ROLL FEED INSTALLATION, SCR 10 X 30"	DATE: 11/30/2005	SIZE: D	PART NUMBER: K100-00634
ANGULAR: = 1/2-	SHEET: 1 of 1			

K100-00634