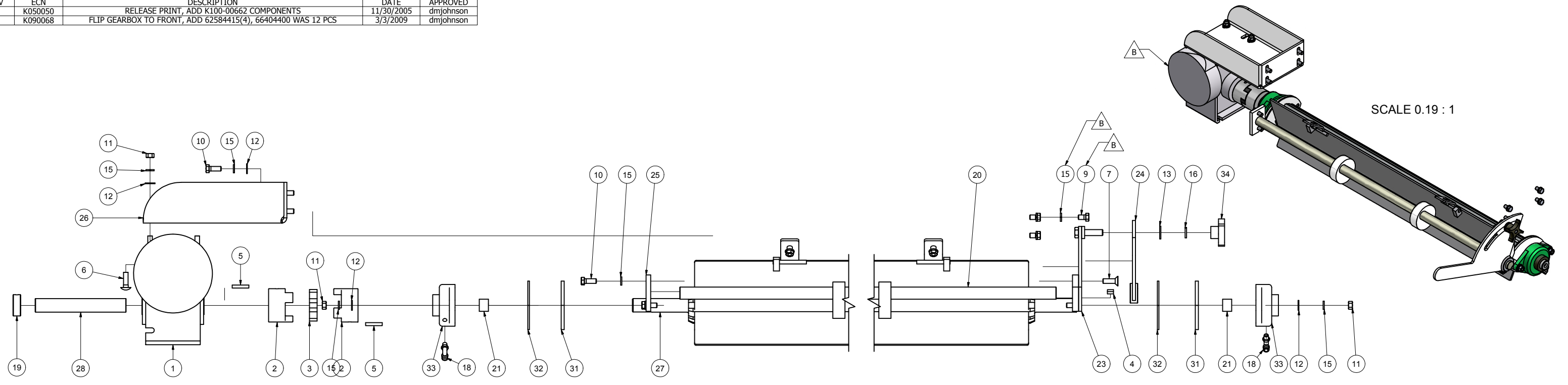
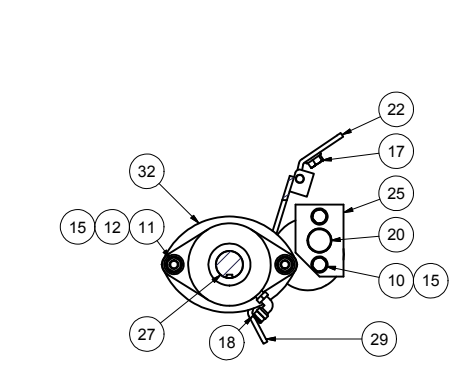


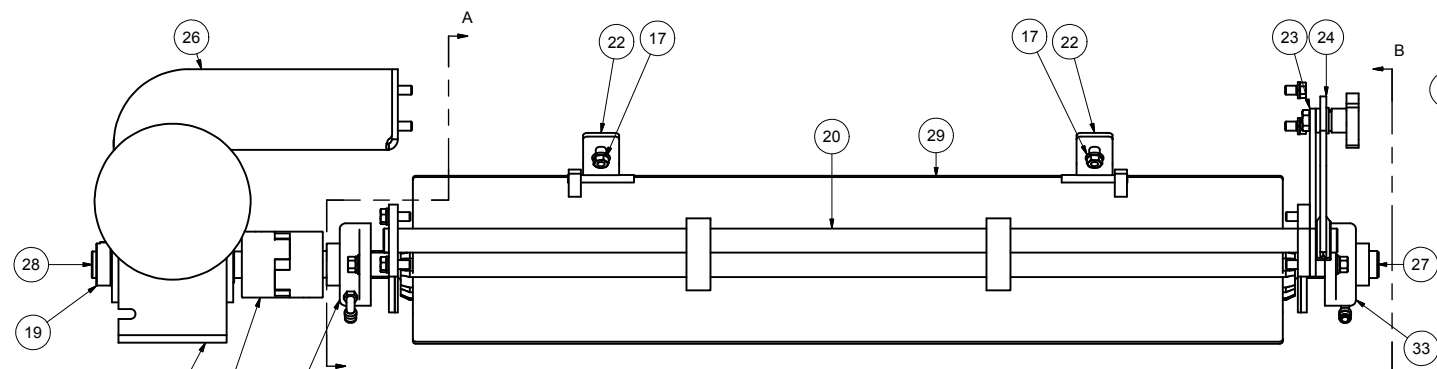
REVISION HISTORY				
REV	ECN	DESCRIPTION	DATE	APPROVED
A	K050050	RELEASE PRINT, ADD K100-00662 COMPONENTS	11/30/2005	dmjohnson
B	K090068	FLIP GEARBOX TO FRONT, ADD 62584415(4), 66404400 WAS 12 PCS	3/3/2009	dmjohnson



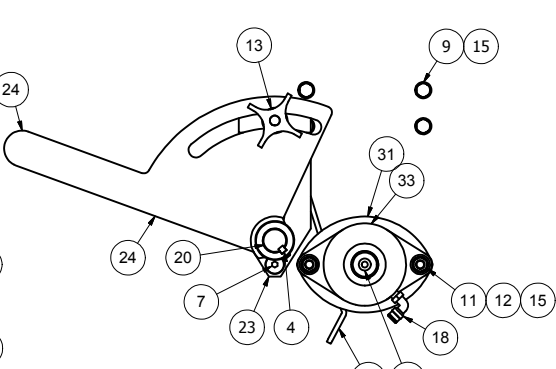
FRONT VIEW-EXPLODED, RIGHT HAND DRIVE SHOWN



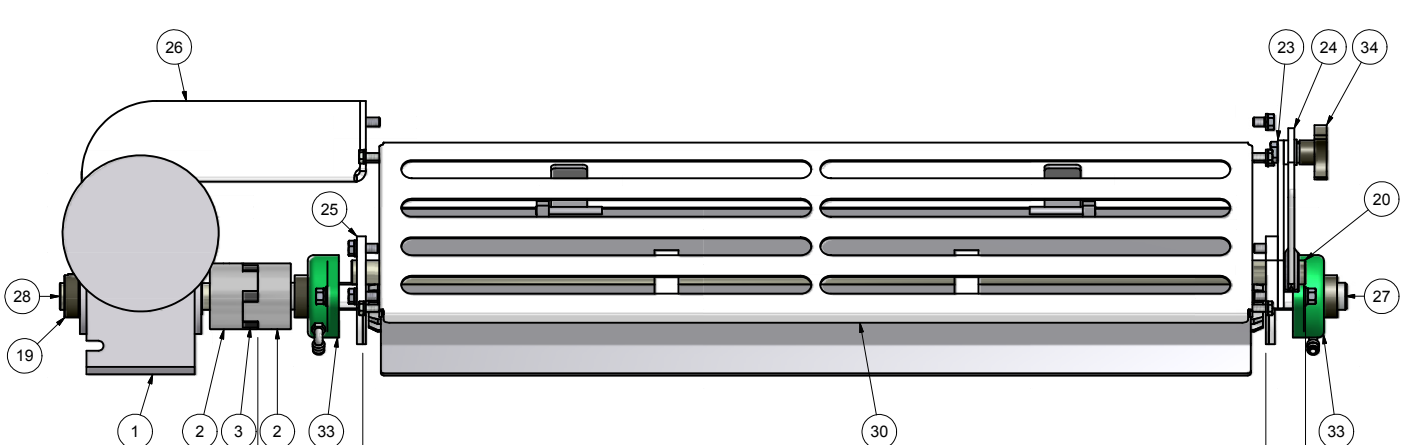
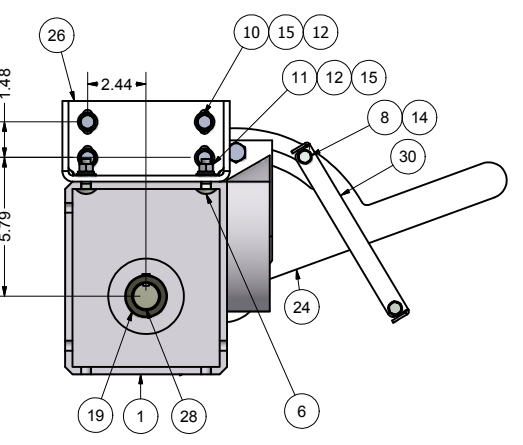
SECTION A-A
SCALE 1 / 4



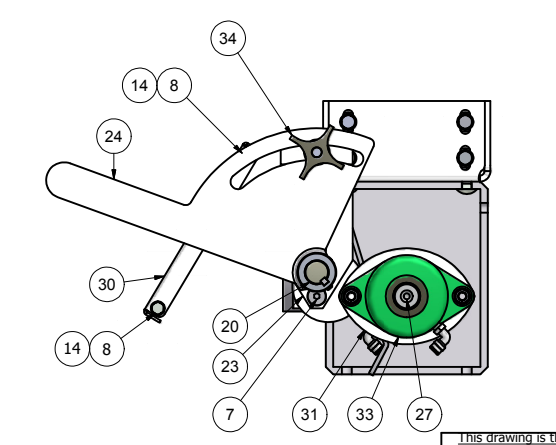
FRONT VIEW-LESS GUARD



VIEW B-B
SCALE 1 / 4



FRONT VIEW



ITEM	PART NUMBER	QTY	DESCRIPTION
34	K910-01261	1	KNOB, CAST 1/2-13 OPEN
33	K902-04401	2	BRNG, F2B-SXV-102 1.125" W/COLLAR
32	K201-05365	2	SPACER, FEED ROLL, TEFLON
31	K201-05364	2	SPACER, BRNG OUTER, FEED ROLL 10-12"
30	K200-05608	1	GUARD, NIP, ROLL FEED 10 X 36"
29	K200-01955	1	GATE WLDMT, FEED ROLL, 10 X 36"
28	K200-01254	1	SHAFT, CPLG, SCR ROLL FD 1.13" 10-12"
27	K200-01229	1	ROLL, FEED SCR 10 X 36"
26	K200-01024	1	MNT, RDCR, SCR ROLL FDR 10-12"
25	K200-00894	1	PLT, CVR FEED GATE ECC 10-12"
24	K200-00831	1	HANDLE WLDMT, ECC FEED GATE 10-12"
23	K200-00830	1	BRKT WLDMT, LEVER FEED GATE 10-12"
22	K200-00820	2	HINGE, FEEDER GATE 10-12"
21	K200-00787	4	BUSHING, FEED ROLL CDS 10"
20	K100-00625	1	SHAFT WLDMT, ECC FEED GATE 10X36"
19	80012006	1	COLLAR, SET 1.125"
18	70012050	2	CPLG, ELBOW 90 1/8-27M NPT X 1/4" TBG
17	66784400	2	NUT, HEX SERR LOCK 3/8-16
16	66445200	1	WASHER, LOCK HELICAL 1/2"
15	66444400	18	WASHER, LOCK HELICAL 3/8"
14	66443800	4	WASHER, LOCK HELICAL 5/16"
13	66405200	1	WASHER, FLAT 1/2" TYPE A
12	66404400	12	WASHER, FLAT 3/8" NARROW TYPE A
11	66084400	8	NUT, HEX 3/8-16
10	62584422	6	HHCS, 3/8-16 X 1.00"
9	62584415	4	HHCS, 3/8-16 X 5/8"
8	62583826	4	HHCS, 5/16-18 X 1.25"
7	61304426	2	SCW, CAP FLT SCKT HD 3/8-16X1.25"
6	60284426	4	BOLT, CARR 3/8-16 X 1.25"
5	49006222	2	KEY, SQUARE 1/4 X 1.38"
4	4900608	1	KEY, 1/4" SQ X 1/2"
3	40005519	1	INSERT, CPLG JS5N NEOPRENE
2	40005518	2	CPLG, HALF 1.125" CHJP5
1	40002610	1	GEAR RDCR, 56C/1750 15:1 1.125"

NOTES:
 1. DO NOT SCALE FROM DRAWING.
 2. LINE ITEM ON SALES ORDER, ONE PIECE PER 10 X 36" ROLL FEED MILL.
 3. RIGHT HAND ASSEMBLY SHOWN, ASSEMBLE SYMMETRICALLY OPPOSITE OFR LEFT HAND DRIVE ARRANGEMENT.
 4. 3/4 HP C-FACE MOTOR & CONTROLLER ARE LINE ITEMS ON SALES ORDER.
 5. ALTERNATIVE DIMENSIONS [X.X] IN MILLIMETERS.

This drawing is the property of the A.T. Ferrell Company, Inc and must be returned immediately upon request. No part of this drawing may be reproduced, stored in a retrieval system or transmitted in any form or by any means, without prior written consent of the A.T. Ferrell Company, Inc.

CAD
 NO MANUAL CHANGES EXCEPT AS NOTED

DATE: 11/30/2005
 FINISH: NONE
 SCALE: 1:4
 DRAWN BY: dmjohnson
 APPROVED BY: DMJ

TITLE: ROLL FEED INSTALLATION, SCR 10 X 36"
 SHEET: 1 of 1