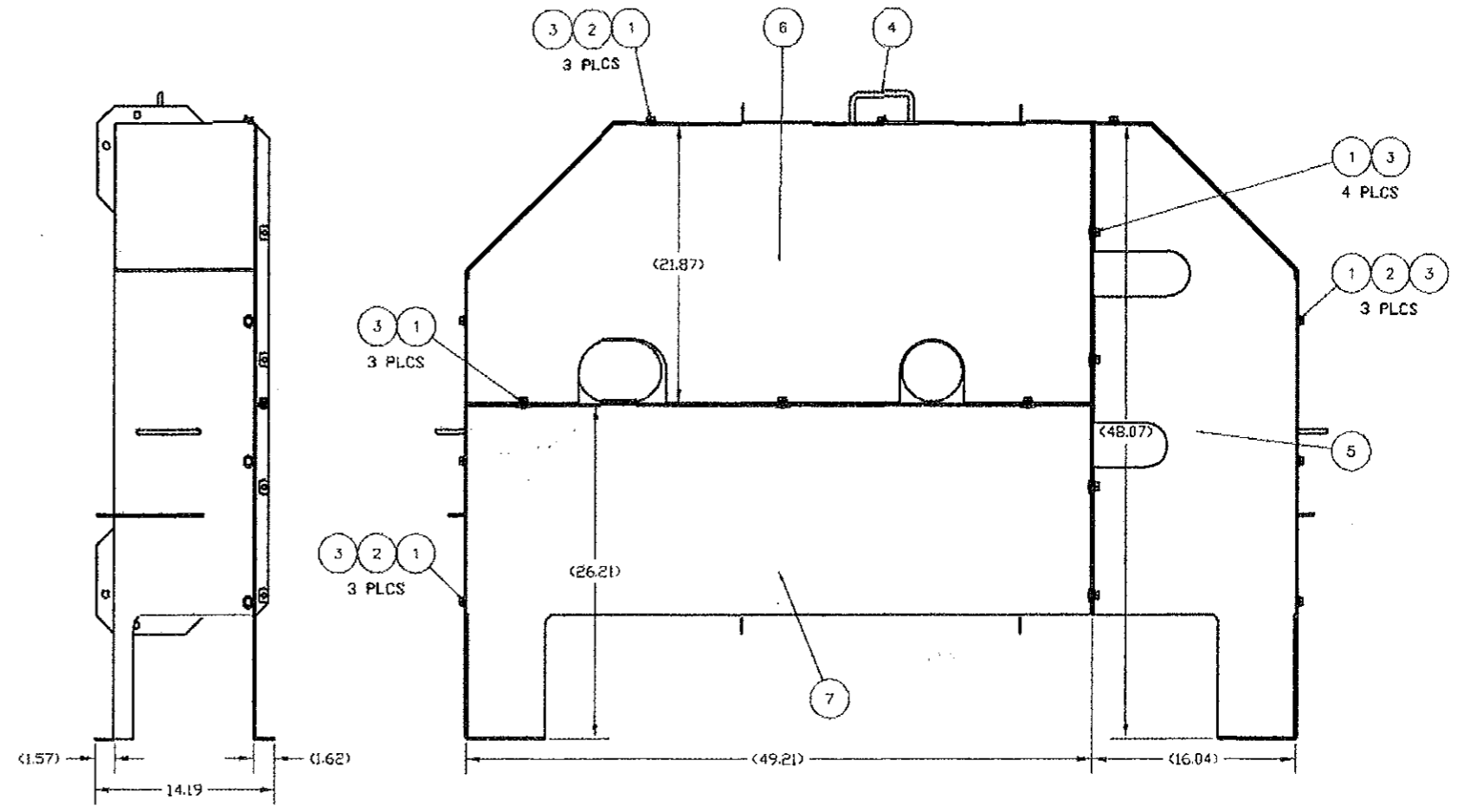
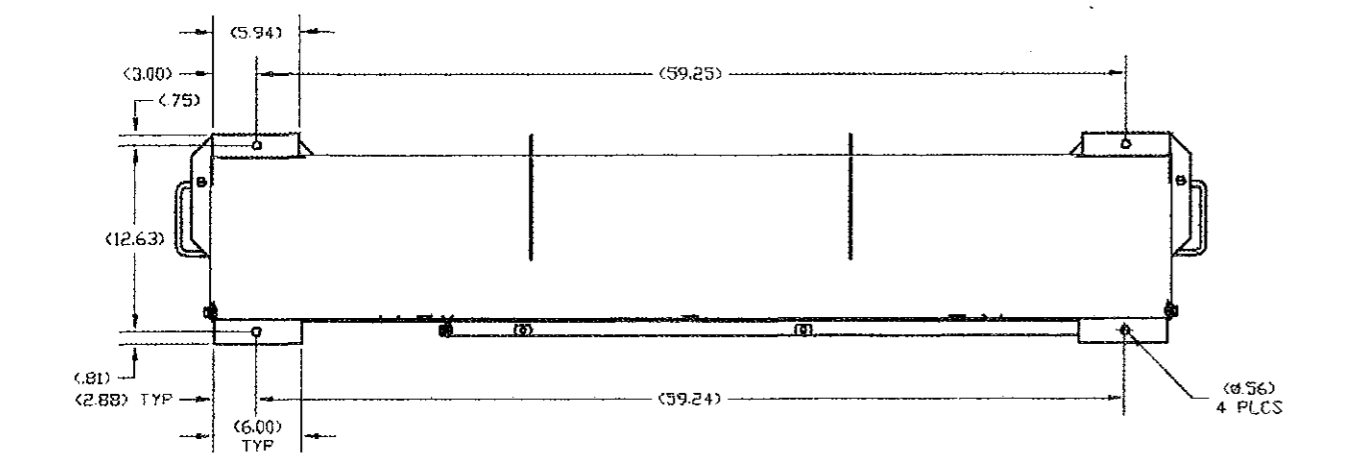
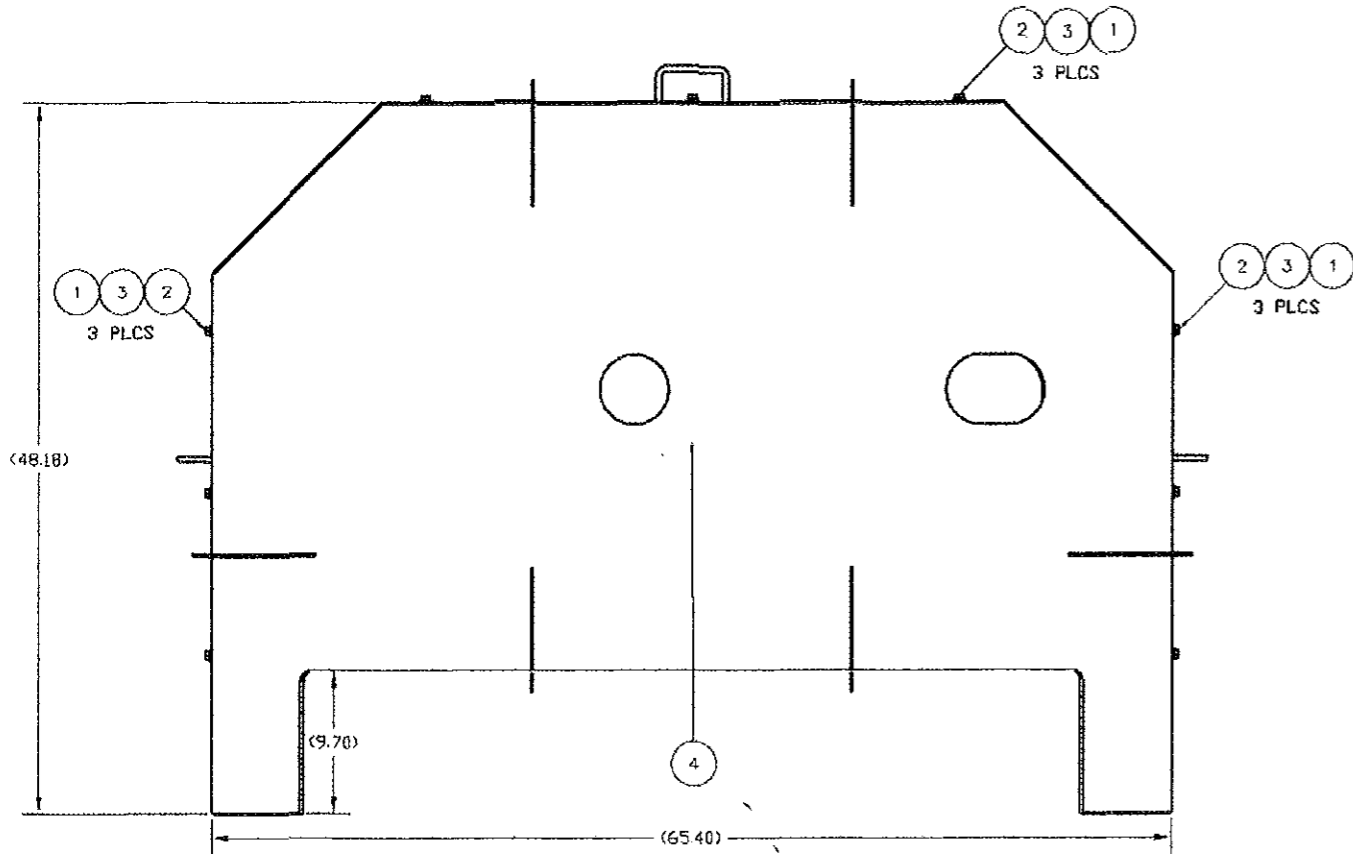
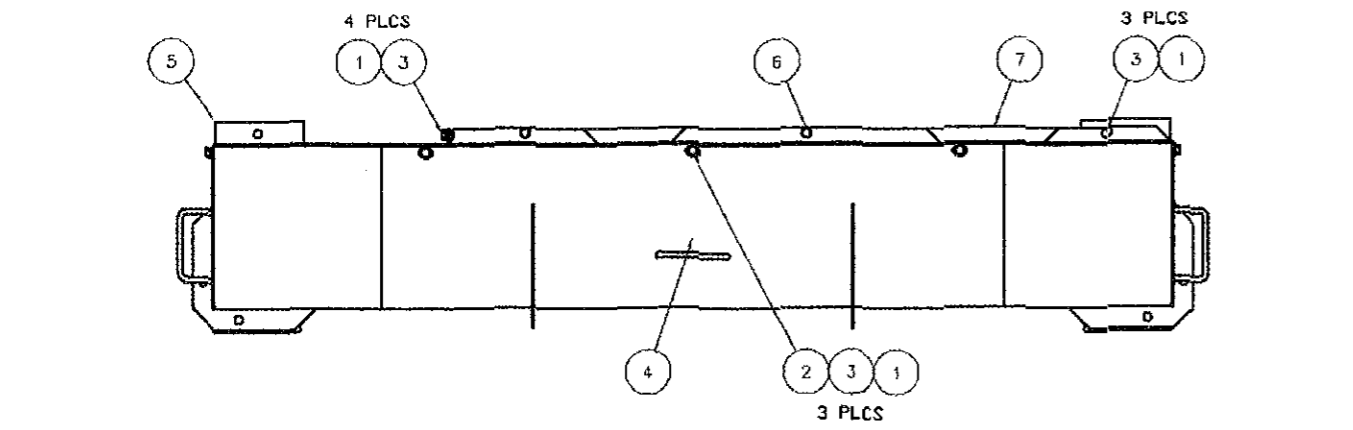


NOTES:
1: DO NOT SCALE FROM DRAWING.
2: SEE PRINT 2 OF 2 FOR H2O COOLED DIFF GUARD, RH 24".
3: SEE K100-01558: GUARD ASSY, DIFF LH 24".

Item	PART NUMBER	Qty	DESCRIPTION
7	K200-02731	1	BK PLT, LWR DIFF GD, RH 24"
6	K200-02728	1	BK PLT, UPR DIFF GD, RH 24"
5	K200-02727	1	BK PLT, REAR DIFF GD, RH 24"
4	K100-01570	1	CVR WLDMT, DIFF GUARD 24"
3	86444400	16	WASHER, LOCK 3/8" PLT
2	86404400	9	WASHER, FLAT 3/8" PLT
1	82584412	16	HHCS, 3/8-16 X 1/2"

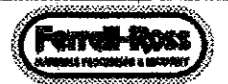
CAD NO MANUAL CHANGES				
TOLERANCES (EXCEPT AS NOTED)				
DECIMAL: XXX # .005 XX # .030	FINISH: NONE	SCALE: 5/32	DRAWN BY: DJ	APPROVED BY: X.X.X.
FRACTIONAL: # 1/32	ANGULAR: # 1/2	DRAWING TITLE: GUARD ASSY, DIFF RH 24"		
DATE: 2/25/02		SIZE: D	DRAWING NO.:	SHEET:
			K100-01558	1 of 2

This drawing is the property of the A.T. Ferrell Company, Inc and must be returned immediately upon request. No part of this drawing may be reproduced, stored in a retrieval system or transmitted in any form or by any means, without prior written consent of the A.T. Ferrell Company, Inc.



NOTES:
 1: DO NOT SCALE FROM DRAWING.
 2: SEE PRINT 1 OF 2 FOR STANDARD DIFF GUARD, RH 24".
 3: SEE K100-01558: GUARD ASSY, DIFF LH 24".

Item	PART NUMBER	Qty	DESCRIPTION
7	K200-02731	1	BK PLT, LWR DIFF GD, RH 24"
6	K200-02729	1	BK PLT, UPR DIFF GD, RH 24"
5	K200-02727	1	BK PLT, REAR DIFF GD, RH 24"
4	K100-01570	1	CVR WLDMT, DIFF GD, H2O COOLED RH 24"
3	66444400	16	WASHER, LOCK 3/8" PLT
2	66404400	9	WASHER, FLAT 3/8" PLT
1	62584412	16	HHCS, 3/8-16 X 1/2"



CAD NO MANUAL CHANGES		A DIVISION OF A.T. FERRELL COMPANY		BLUETON, PENNSYLVANIA, U.S.A.	
DECIMAL: ± .005	FINISH: NONE	SCALE: 5/32	DRAWN BY: DJ	APPROVED BY: X.X.X.	
FRACTIONAL: ± 1/32	DRAWING TITLE: GUARD ASSY, DIFF RH H2O COOLED 24"		DATE: 2/25/02		
ANGULAR: ± 1/2	SHEET: D		DRAWING NO.: K100-01559		SHEETS: 2 of 2

This drawing is the property of the A.T. Ferrell Company, Inc and must be returned immediately upon request. No part of this drawing may be reproduced, stored in a retrieval system or transmitted in any form or by any means, without prior written consent of the A.T. Ferrell Company, Inc.