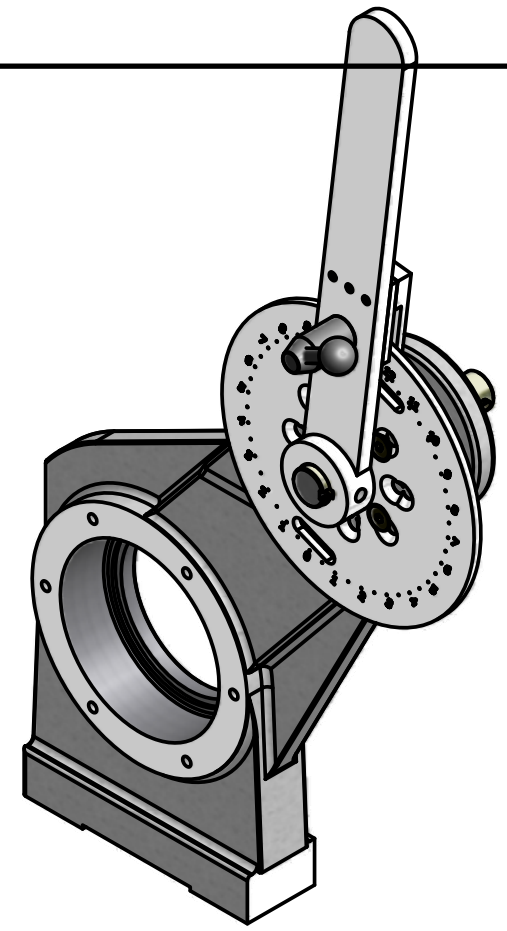
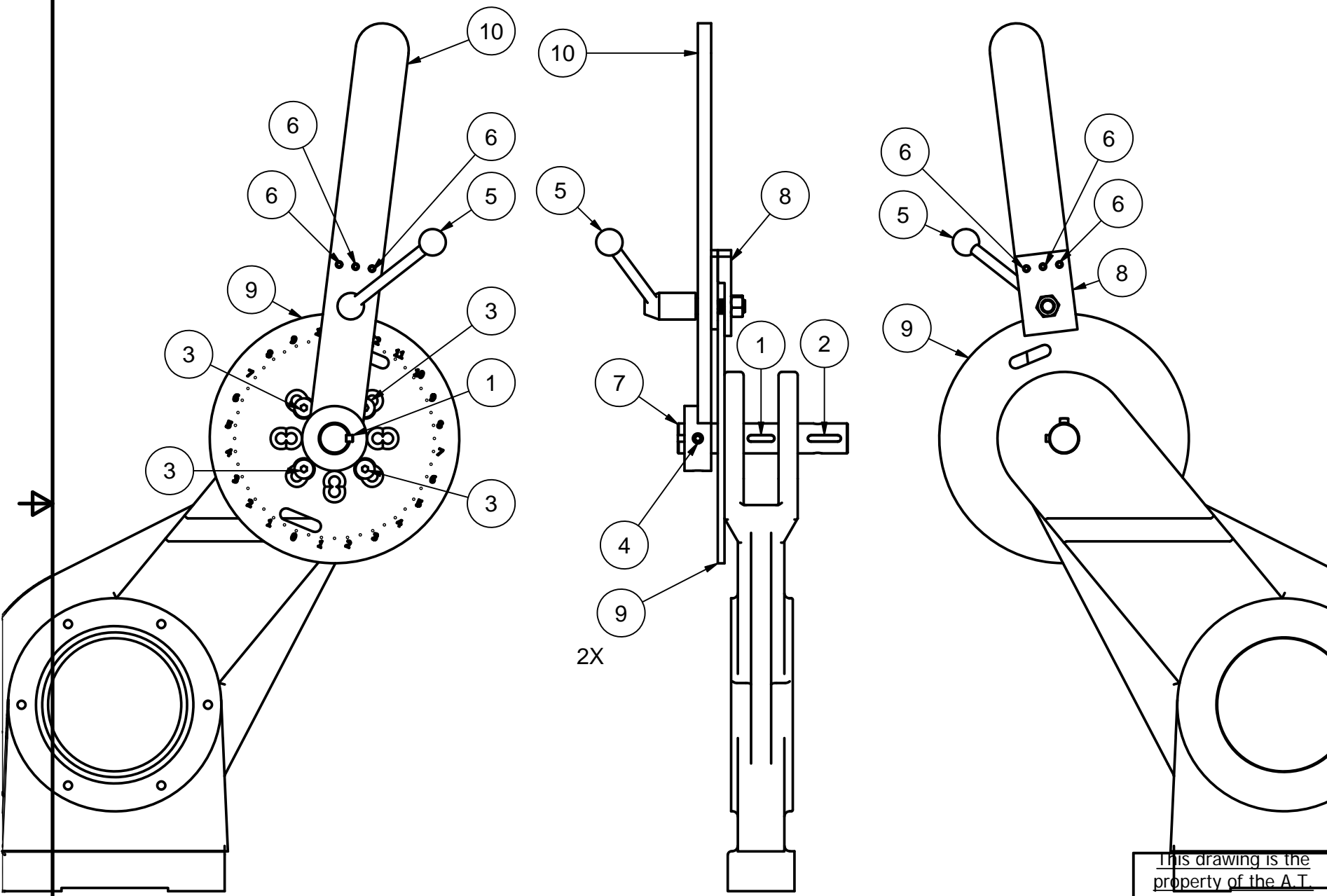




REVISION HISTORY				
REV	LTR	DESCRIPTION	DATE	APPROVED
A	K050030	RELEASE	3/29/2006	DMJOHNSON



K100-01969

ITEM	PART NUMBER	QTY	DESCRIPTION
11	K200-01624	1	HOUSING, BEARING FIXED 217-1-R
10	K200-07186	1	LEVER WLDMT, ROLL CONTROL LH, 10"
9	K200-07142	1	DISK, MICRO ROLL RELEASE 10-12"
8	K200-07134	1	BRAKE, LEVER, ROLL RELEASE 10-12"
7	K200-01646	1	ROD, ROLL RELEASE ECC, LONG 10"
6	70008506	3	PIN, SPRING SLOTTED .25 X 1.25"
5	70003006	1	HANDLE, ADJ STL W/KNOB 1/2-13X1.77" STUD
4	61664408	2	SCW, SET 3/8-16 X .375" SCKT HD
3	61304417	4	FSHCS, 3/8-16 X .75"
2	49400620	1	KEY, SQUARE, RND END .250 X 1.25"
1	49400616	2	KEY, SQUARE, RND END .250 X 1.00"

- NOTES:
- DO NOT SCALE FROM DRAWING.
 - LINE ITEM ON SALES ORDER FOR 10" MILLS.
 - ONE PIECE REQUIRED PER LH DIFFERENTIAL DRIVE 10" ROLL PAIR.
 - SIMILAR TO K100-01968: LEVER ASSY, ROLL CONTROL RH 10".

This drawing is the property of the A.T. Ferrell Company, Inc and must be returned immediately upon request. No part of this drawing may be reproduced, stored in a retrieval system or transmitted in any form or by any means, without prior written consent of the A.T. Ferrell Company, Inc	E C F				DIVISION OF A. T. FERRELL COMPANY		BLUFFTON, INDIANA - USA	
	NO MANUAL CHANGES				DECIMAL:	FINISH:	SCALE:	DRAWN BY:
	VQ NGT C P E G U EXCEPT AS NOTED		xxx ± .005 xx ± .030	NONE	1:5	dmjohnson	DMJ	
			FRACTIONAL:	TITLE:		DATE:	SIZE:	PART NUMBER:
		± 1/32	LEVER ASSY, ROLL CONTROL LH 10"		3/29/2006	B	K100-01969	1 of 1
		ANGULAR:						
		± 1/2~						

