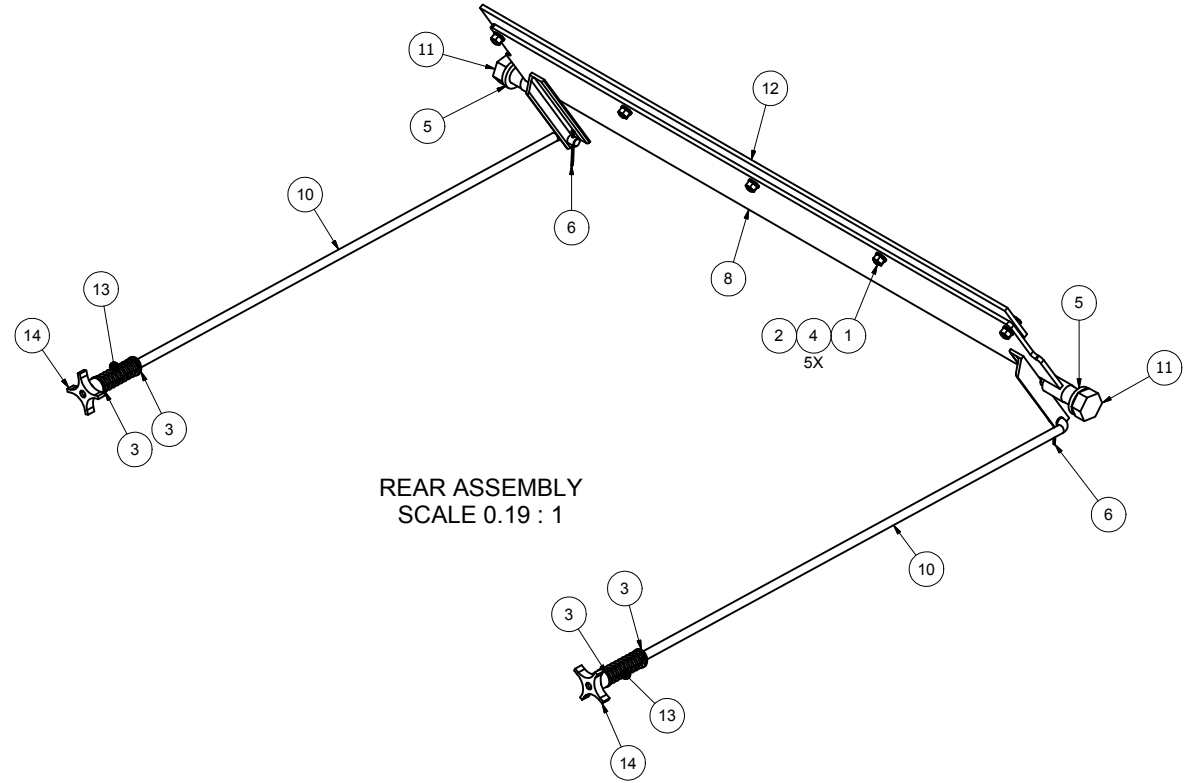
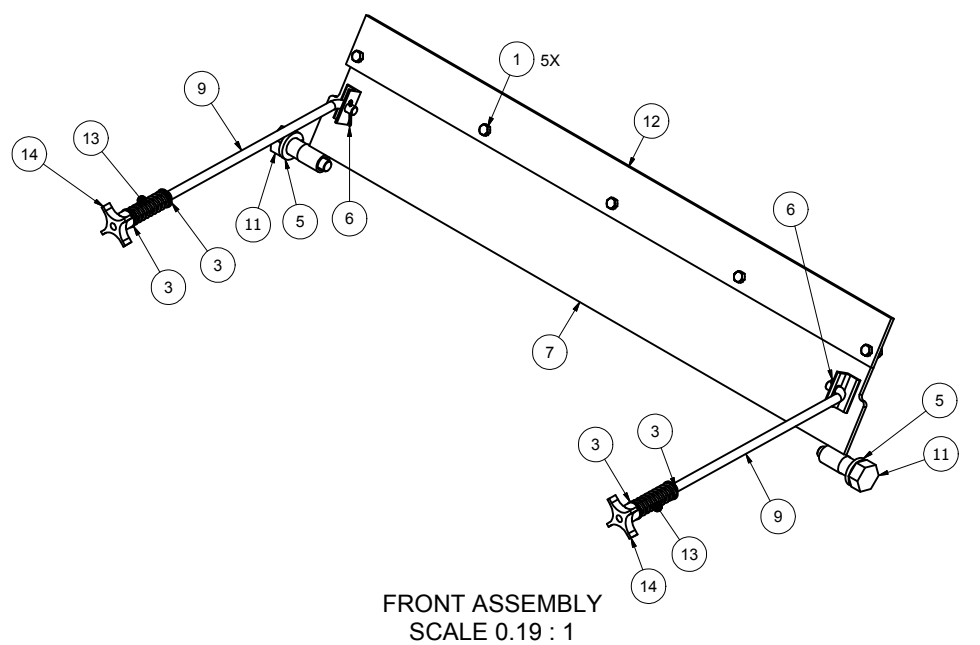
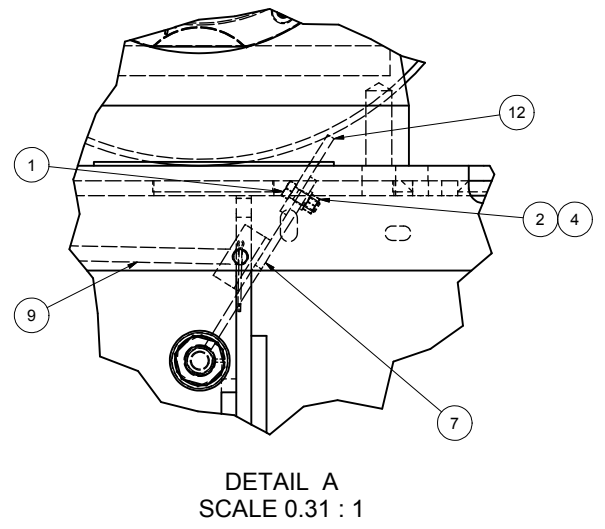
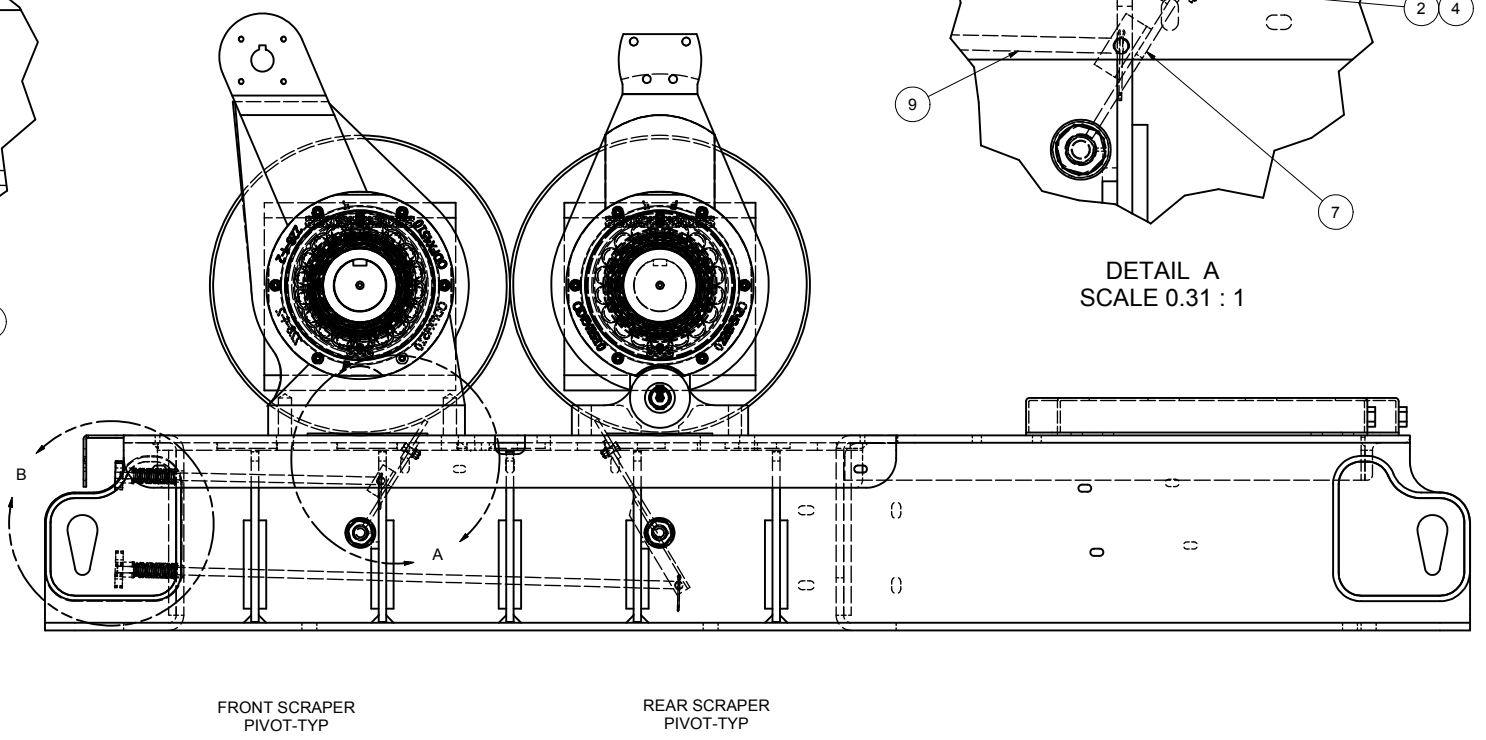
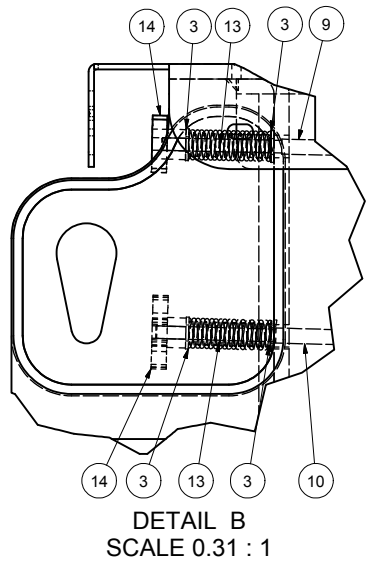
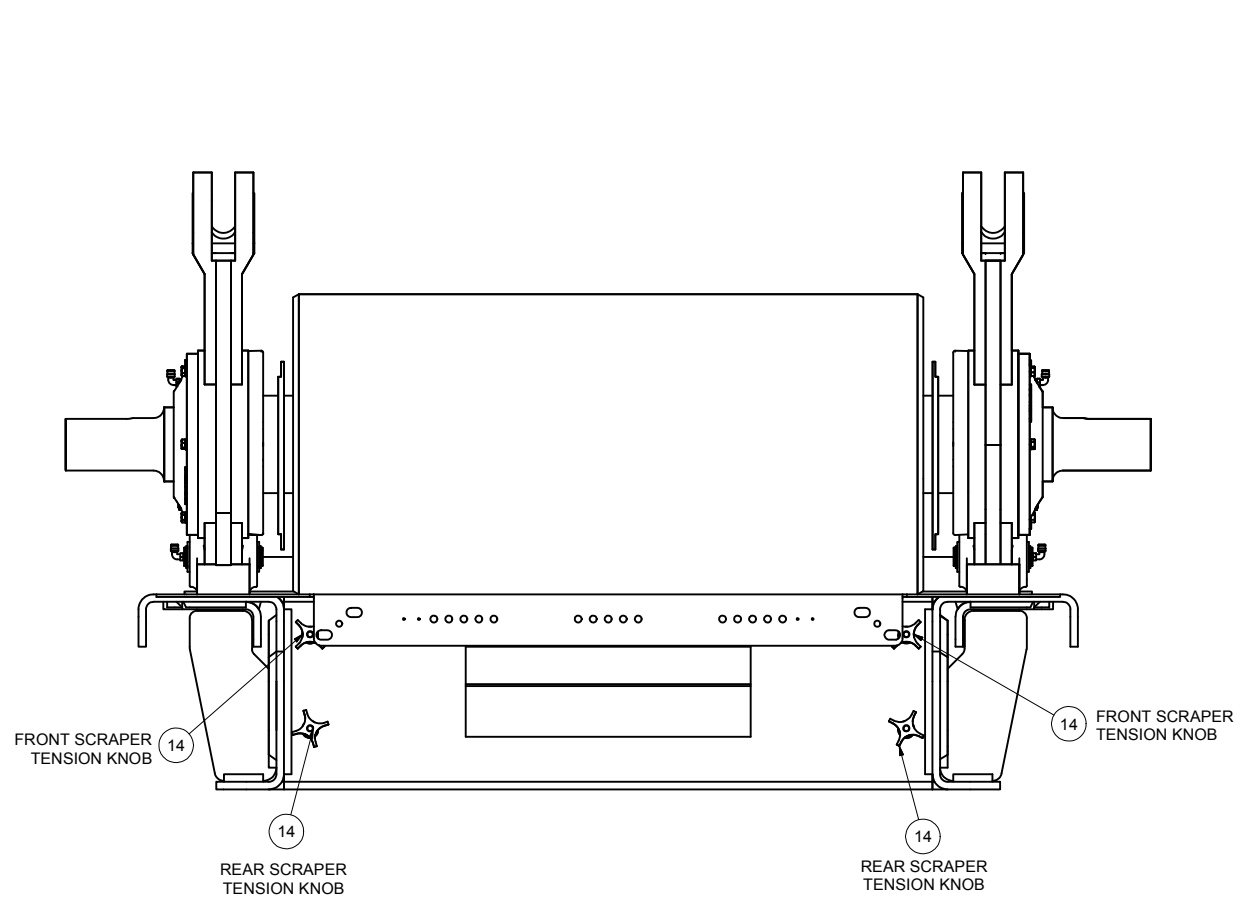


REVISION HISTORY				
REV	ECN	DESCRIPTION	DATE	APPROVED
A	K040061	RELEASE	4/3/2005	DMJOHNSON
B	K070170	K200-03530 WAS K200-07048	11/6/2007	DMJOHNSON



ITEM	PART NUMBER	QTY	DESCRIPTION
14	K910-01261	4	KNOB, CAST 1/2-13 OPEN
13	K201-00268	4	SPRING, SCRAPER TENSION 2.75"
12	K200-04025	2	BLADE, SCRAPER .25" ALUM 10/18/20X42"
11	K200-03530	4	ROD, SCRAPER, REMOVEABLE 18/24"
10	K200-00613	2	ROD, REAR SS, SCRAPER TENSION, 20"
9	K200-00612	2	ROD, FRONT SS, SCRAPER TENSION, 20"
8	K100-00639	1	BRKT WLDMT, REAR SCRAPER, SS DL DRV 18/20X42"
7	K100-00638	1	BRKT WLDMT, FNT SCRAPER, SS DL DRV 18/20X42"
6	70002011	4	PIN, COTTER 3/32 X 2.00" SS 18-8
5	67127400	4	WASHER, LOCK SS 1.00"
4	67124400	10	WASHER, LOCK T304 SS 3/8"
3	67105200	8	WASHER, FLAT T18-8 SS TYPE A 1/2"
2	67064400	10	NUT, HEX 18-8 SS 3/8-16
1	67054422	10	HHCS, 18-8 SS 3/8-16 X 1.00"

NOTES:
 1. DO NOT SCALE FROM DRAWING.
 2. ONE PIECE REQUIRED PER K000-00186: ROLLER MILL ASSY. DUAL DRIVE 20 X 42" FL.
 3. SCRAPER ADJUSTMENT: TIGHTEN TENSION KNOBS (TURN CLOCKWISE) EQUALLY UNTIL SCRAPER JUST TOUCHES ROLL.
 4. APPLY A THIN, EVEN COAT OF FOOD GRADE SS ANTI-SIEZE (FDA SPEC SECTION 178.3570) TO ALL SS MALE FASTENER THREADS BEFORE ASSEMBLY.

This drawing is the property of the A.T. Ferrell Company, Inc and must be returned immediately upon request. No part of this drawing may be reproduced, stored in a retrieval system or transmitted in any form or by any means, without prior written consent of the A.T. Ferrell Company, Inc.

CAD
NO MANUAL CHANGES
TOLERANCES EXCEPT AS NOTED

DECIMAL: .005
XX = .030
FRACTIONAL: 1/32
ANGULAR: ± 1/2-

FINISH: NONE
SCALE: 0.16:1
DRAWN BY: dmjohnson
APPROVED BY: DMJ

DIVISION OF A. T. FERRELL COMPANY SINCE 1869 BLUFFTON, INDIANA - USA

TITLE: SCRAPER ASSY, 20 X 42" FL
DATE: 12/13/2004
SIZE: D
PART NUMBER: K100-02043
SHEET: 1 of 1