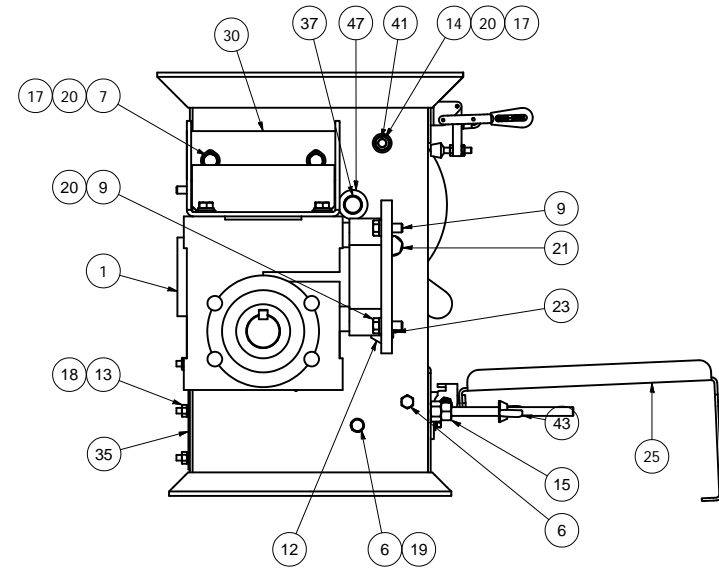
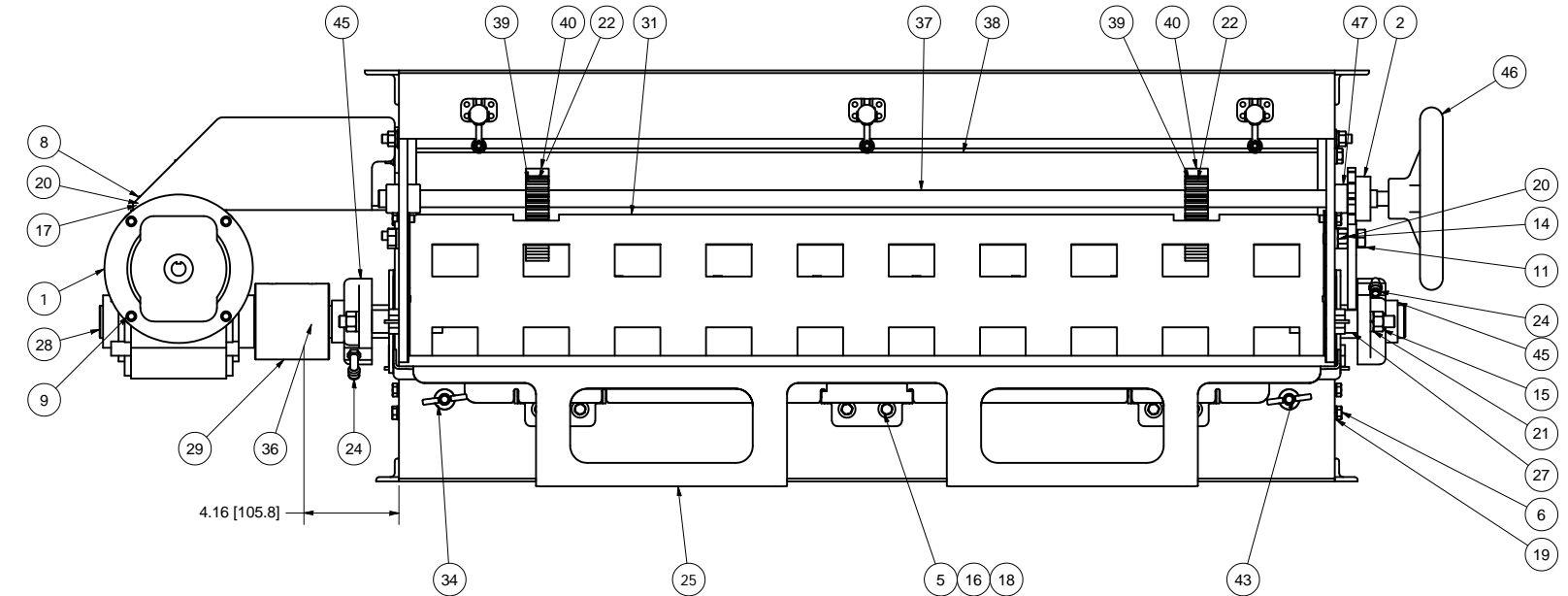


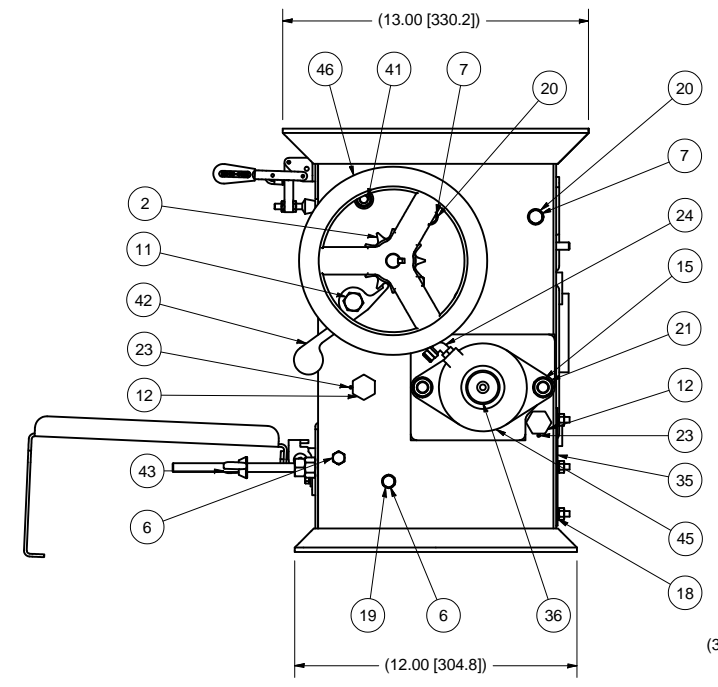
REV	ECN	DESCRIPTION	DATE	APPROVED
A	K040061	RELEASE	1/28/2005	pggalea
B	K070147	K200-05300 & K200-11050 WAS K200-05309(1), ADD K200-07416 & 67253800	12/17/2007	pggalea
C	K090157	K100-02441 WAS K200-05300(1) & K200-11050(3), DELETE 67253800, 70004501 & K200-07416	5/29/2009	dmjohnson
D	K100093	40002616 & K908-11913 WAS 40002612 & F01102002, DEL 67053815(4), 6X 67053817 WAS 2X, 10X 67104400 WAS 8X	4/14/2010	dmjohnson
E	K110107	Delete jam nut (66107100), replace hand wheel (K905-00200) w/hand wheel (k905-00103), & add keys (1ea 49020420 & 2ea 49020816)	5/24/2011	jmosso



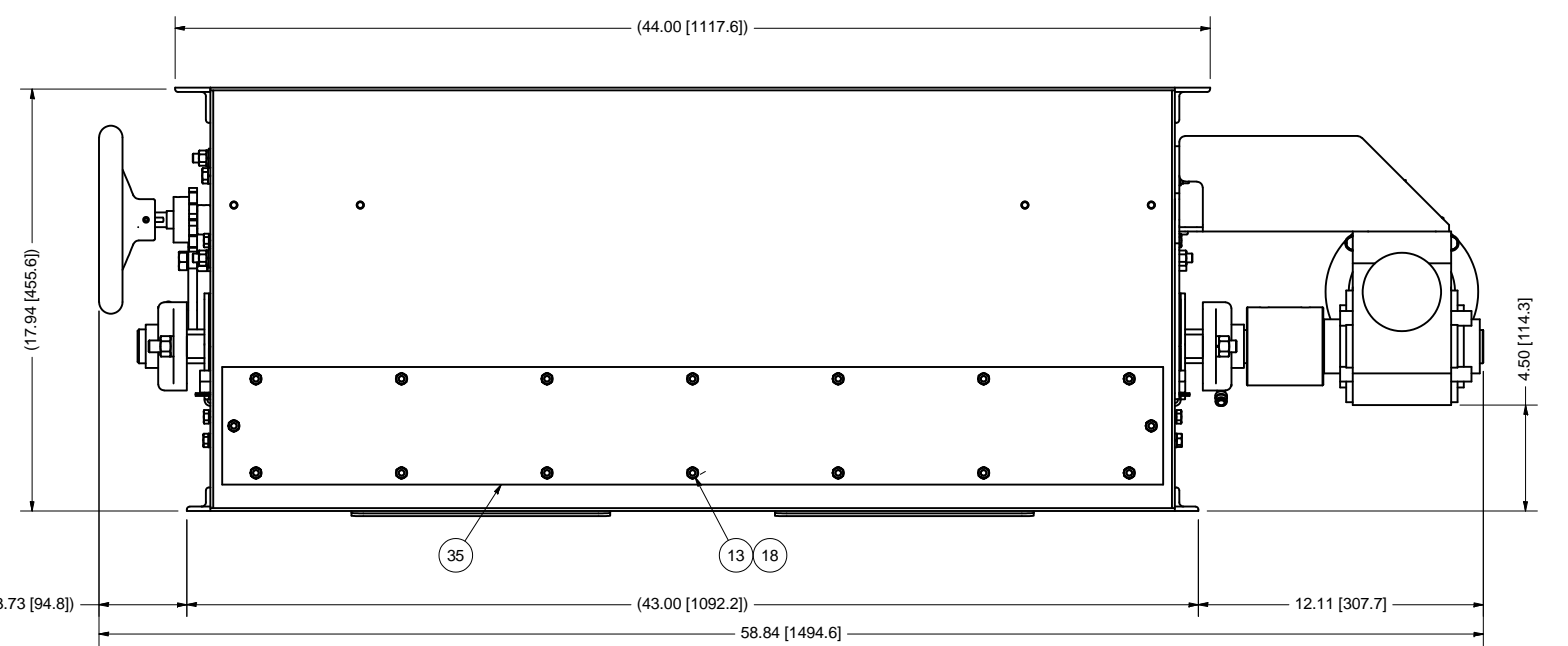
LEFT SIDE



FRONT VIEW



RIGHT SIDE



REAR VIEW

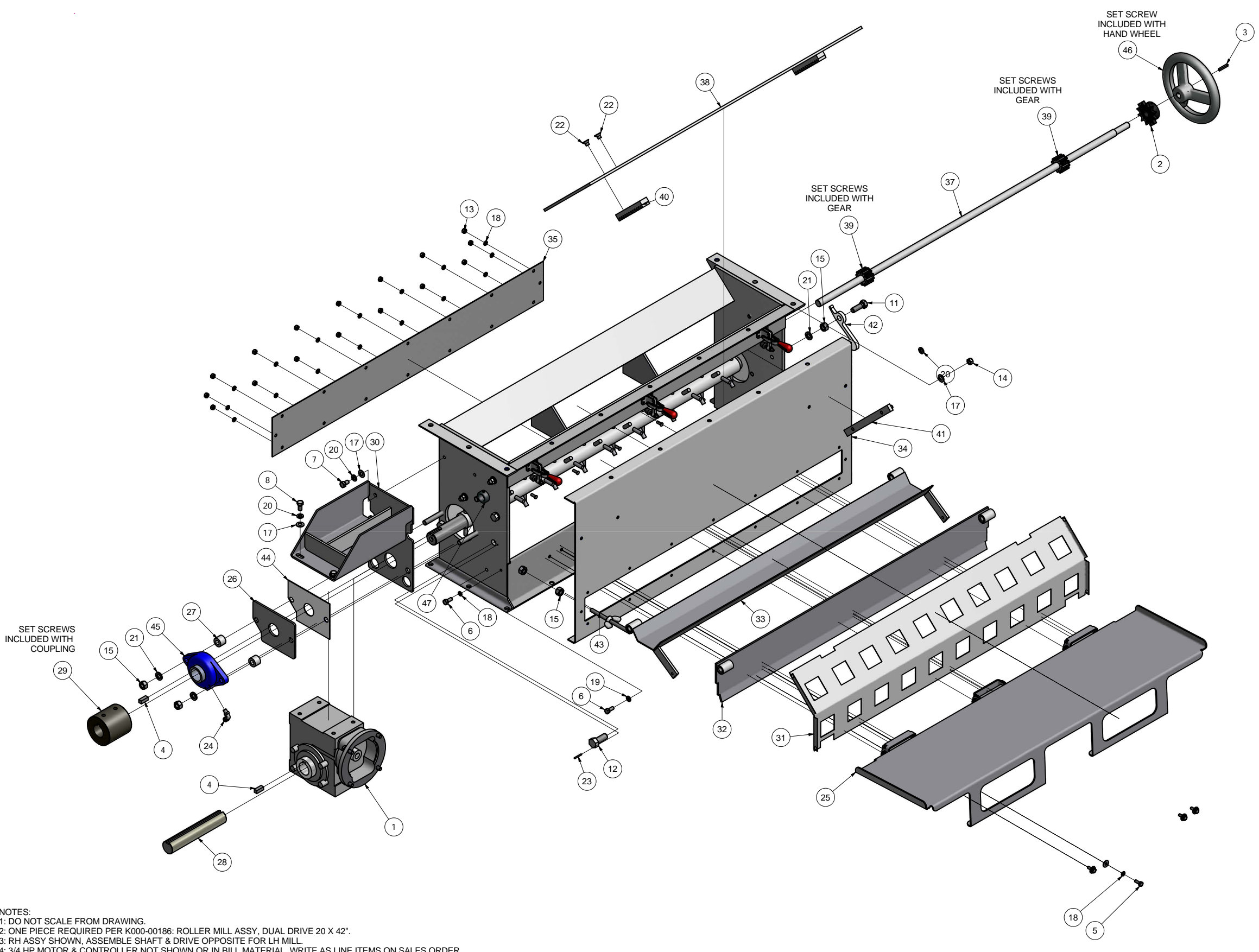
47	K908-11913	3	COLLAR, LOCK 303SS 20mm X 31.8 mm X 14 mm
46	K905-00103	1	HANDWHEEL, AL, 8" OD .625 ID W/ KEY
45	K902-04601	2	BRNG, FLANGE 2 HOLE, 1.438"
44	K201-05351	2	SEAL, DUST, BEARING SPACER, FEED ROLL
43	K200-11006	2	SCREW WLDMT, DEFLECTOR ADJ, PIN FEEDER
42	K200-11004	1	LATCH, SLIDE GATE, PIN FEEDER
41	K200-10384	2	GUIDE WLDMT, SLIDE GATE, PIN FDR
40	K200-10383	2	RACK, GEAR 5" SLIDE GATE, PIN FDR
39	K200-10381	2	GEAR, PINION, 8P 12T 3/4" BORE
38	K200-07008	1	GATE, SLIDE, PIN FEEDER 42"
37	K200-07007	1	SHAFT, SLIDE GATE, PIN FEEDER 20 X 42"
36	K200-07005	1	PIN FEEDER SHAFT, RDCR DRV 20 X 42"
35	K200-07004	1	COVER, STEAM VENT, PIN FEEDER 20 X 42"
34	K200-07003	1	HOUSING WLDMT, PIN FDR, RDCR DRV, 20 X 42"
33	K200-07002	1	TROUGH WLDMT, PIN FEEDER SS 20 X 42"
32	K200-07001	1	BAFFLE WLDMT, PIN FEEDER, 20 X 42"
31	K200-07000	1	GUARD, PIN FEEDER 20 X 42"
30	K200-06577	1	REDUCER MOUNT WLDMT, PIN FEEDER 18/24"
29	K200-05898	1	COUPLING, PIN FEEDER 18/20"
28	K200-05892	1	SHAFT, COUPLING 1.438", PIN FEEDER
27	K200-00786	4	SPACER, SS .75" PIN FEEDER
26	K200-00784	2	SPACER, BEARING, FEED ROLL
25	K100-02441	1	DOOR WLDMT, FEEDER, 42"
24	70012050	2	CPLG, ELBOW 90 1/8-27M NPT X 1/4" TBG
23	70008508	4	PIN, ROLL 1/8 X 1.00"
22	67184412	4	FHCS, 18-8 SS 3/8-16 X 1/2"
21	67125200	6	WASHER, LOCK HELICAL 18-8 SS, 1/2"
20	67124400	16	WASHER, LOCK HELICAL 18-8 SS 3/8"
19	67123800	2	WASHER, LOCK HELICAL 18-8 SS 5/16"
18	67123300	26	WASHER, LOCK HELICAL 18-8 SS 1/4"
17	67104400	10	WASHER, FLAT 18-8 SS TYPE A 3/8"
16	67103300	6	WASHER, FLAT 18-8 SS TYPE A 1/4"
15	67065200	7	NUT, HEX 18-8 SS 1/2-13
14	67064400	4	NUT, HEX 18-8 SS 3/8-16
13	67063300	16	NUT, HEX 18-8 SS, 1/4-20
12	67055828	4	HHCS, 18-8 SS 5/8 -11 X 1.50"
11	67055228	1	HHCS, 18-8 SS 1/2-13 X 1.50"
10	67055212	1	HHCS, 18-8 SS 1/2-13 X 1/2"
9	67054422	4	HHCS, 18-8 SS 3/8-16 X 1.00"
8	67054417	4	HHCS, 18-8 SS 3/8-16 X 3/4"
7	67054415	4	HHCS, 18-8 SS 3/8-16 X 5/8"
6	67053817	6	HHCS, 18-8 SS 5/16-18 X 3/4"
5	67053317	6	HHCS, 18-8 SS, 1/4-20 X .75"
4	49020816	2	KEY, SQUARE 18-8 SS 3/8 X 1.00
3	49020420	1	KEY, SQUARE 18-8 SS 3/16 X 1.25"
2	46141206	1	SPRKT, 50BS12 X .75"
1	40002616	1	GEAR REDUCER, 15:1 56C/1750

NOTES:  
 1: DO NOT SCALE FROM DRAWING.  
 2: ONE PIECE REQUIRED PER K000-00186: ROLLER MILL ASSY, DUAL DRIVE 20 X 42" FL.  
 3: RH ASSY SHOWN, ASSEMBLE SHAFT & DRIVE OPPOSITE FOR LH MILL.  
 4: 3/4 HP MOTOR & CONTROLLER NOT SHOWN OR IN BILL OF MATERIAL, WRITE AS LINE ITEMS ON SALES ORDER.  
 5: ALTERNATIVE UNITS [X.X] IN MILLIMETERS.

This drawing is the property of the A.T. Ferrell Company, Inc. and must be returned immediately upon request. No part of this drawing may be reproduced, stored in a retrieval system or transmitted in any form or by any means, without prior written consent of the A.T. Ferrell Company, Inc.	E C F NO MANUAL CHANGES UNLESS OTHERWISE NOTED	DIVISION OF A. T. FERRELL COMPANY SINCE 1869 BLUFFTON, INDIANA - USA	SCALE: 1:4 DRAWN BY: pggalea APPROVED BY: DMJ
	DECIMAL: xxx = .005 xx = .030 FRACTIONAL: ± 1/32 ANGULAR: ± 1/2°		TITLE: PIN FEEDER ASSY, REDUCER DRIVE 20 X 42" DATE: 12/22/2004 SIZE: D PART NUMBER: K100-02046 SHEET: 1 of 2

K100-02046

REV	ECN	REVISION HISTORY	DATE	APPROVED
A	K040061	RELEASE	1/28/2005	pggalea
B	K070147	K200-05300 & K200-11050 WAS K200-05309(1), ADD K200-07416 & 67253800	12/17/2007	pggalea
C	K090157	K100-02441 WAS K200-05300(1) & K200-11050(3), DELETE 67253800, 70004501 & K200-07416	5/29/2009	dmjohnson
D	K100093	40002616 & K908-11913 WAS 40002612 & F01102002, DEL 67053815(4), 6X 67053817 WAS 2X, 10X 67104400 WAS 8X	4/14/2010	dmjohnson
E	K110107	Delete jam nut (66107100), replace hand wheel (K905-00200) w/hand wheel (K905-00103), & add keys (1ea 49020420 & 2ea 49020816)	5/24/2011	jmosso



47	K908-11913	3	COLLAR, LOCK 303SS 20mm X 31.8 mm X 14 mm
46	K905-00103	1	HANDWHEEL, AL, 8" OD, 625 ID W/ KEY
45	K902-04601	2	BRNG, FLANGE 2 HOLE, 1.438"
44	K201-05351	2	SEAL, DUST, BEARING SPACER, FEED ROLL
43	K200-11006	2	SCREW WLDMT, DEFLECTOR ADJ, PIN FEEDER
42	K200-11004	1	LATCH, SLIDE GATE, PIN FEEDER
41	K200-10384	2	GUIDE WLDMT, SLIDE GATE, PIN FDR
40	K200-10383	2	RACK, GEAR 5" SLIDE GATE, PIN FDR
39	K200-10381	2	GEAR, PINION, 8P 12T 3/4" BORE
38	K200-07008	1	GATE, SLIDE, PIN FEEDER 42"
37	K200-07007	1	SHAFT, SLIDE GATE, PIN FEEDER 20 X 42"
36	K200-07005	1	PIN FEEDER SHAFT, RDCR DRV 20 X 42"
35	K200-07004	1	COVER, STEAM VENT, PIN FEEDER 20 X 42"
34	K200-07003	1	HOUSING WLDMT, PIN FDR, RDCR DRV, 20 X 42"
33	K200-07002	1	TROUGH WLDMT, PIN FEEDER SS 20 X 42"
32	K200-07001	1	BAFFLE WLDMT, PIN FEEDER, 20 X 42"
31	K200-07000	1	GUARD, PIN FEEDER 20 X 42"
30	K200-06577	1	REDUCER MOUNT WLDMT, PIN FEEDER 18/24"
29	K200-05898	1	COUPLING, PIN FEEDER 18/20"
28	K200-05892	1	SHAFT, COUPLING 1.438", PIN FEEDER
27	K200-00786	4	SPACER, SS .75" PIN FEEDER
26	K200-00784	2	SPACER, BEARING, FEED ROLL
25	K100-02441	1	DOOR WLDMT, FEEDER, 42"
24	70012050	2	CPLG, ELBOW 90 1/8-27M NPT X 1/4" TBG
23	70008508	4	PIN, ROLL 1/8 X 1.00"
22	67184412	4	FHCS, 18-8 SS 3/8-16 X 1/2"
21	67125200	6	WASHER, LOCK HELICAL 18-8 SS, 1/2"
20	67124400	16	WASHER, LOCK HELICAL 18-8 SS 3/8"
19	67123800	2	WASHER, LOCK HELICAL 18-8 SS 5/16"
18	67123300	26	WASHER, LOCK HELICAL 18-8 SS 1/4"
17	67104400	10	WASHER, FLAT 18-8 SS TYPE A 3/8"
16	67103300	6	WASHER, FLAT 18-8 SS TYPE A 1/4"
15	67065200	7	NUT, HEX 18-8 SS 1/2-13
14	67064400	4	NUT, HEX 18-8 SS 3/8-16
13	67063300	16	NUT, HEX 18-8 SS, 1/4-20
12	67055828	4	HHCS, 18-8 SS 5/8 -11 X 1.50"
11	67055228	1	HHCS, 18-8 SS 1/2-13 X 1.50"
10	67055212	1	HHCS, 18-8 SS 1/2-13 X 1/2"
9	67054422	4	HHCS, 18-8 SS 3/8-16 X 1.00"
8	67054417	4	HHCS, 18-8 SS 3/8-16 X 3/4"
7	67054415	4	HHCS, 18-8 SS 3/8-16 X 5/8"
6	67053817	6	HHCS, 18-8 SS 5/16-18 X 3/4"
5	67053317	6	HHCS, 18-8 SS, 1/4-20 X .75"
4	49020816	2	KEY, SQUARE 18-8 SS 3/8 X 1.00
3	49020420	1	KEY, SQUARE 18-8 SS 3/16 X 1.25"
2	46141206	1	SPRKT, 50BS12 X .75"
1	40002616	1	GEAR REDUCER, 15:1 56C/1750

NOTES:  
 1: DO NOT SCALE FROM DRAWING.  
 2: ONE PIECE REQUIRED PER K000-00186: ROLLER MILL ASSY, DUAL DRIVE 20 X 42".  
 3: RH ASSY SHOWN, ASSEMBLE SHAFT & DRIVE OPPOSITE FOR LH MILL.  
 4: 3/4 HP MOTOR & CONTROLLER NOT SHOWN OR IN BILL MATERIAL, WRITE AS LINE ITEMS ON SALES ORDER.

This drawing is the property of the A.T. Ferrell Company, Inc. and must be returned immediately upon request. No part of this drawing may be reproduced, stored in retrieval system or transmitted in any form or by any means, without prior written consent of the A.T. Ferrell Company, Inc.

NO MANUAL CHANGES  
 EXCEPT AS NOTED

DECIMAL: xxx = .005  
 xx = .030  
 FRACTIONAL: ± 1/32  
 ANGULAR: ± 1/2°

DIVISION OF A. T. FERRELL COMPANY  
 FINISH: NONE  
 SCALE: 1:4  
 DRAWN BY: pggalea  
 APPROVED BY: DMJ

BLUFFTON, INDIANA - USA  
 SINCE 1869

TITLE: PIN FEEDER ASSY, REDUCER DRIVE 20 X 42"  
 DATE: 12/22/2004  
 SIZE: D  
 PART NUMBER: K100-02046  
 SHEET: 2 of 2

K100-02046