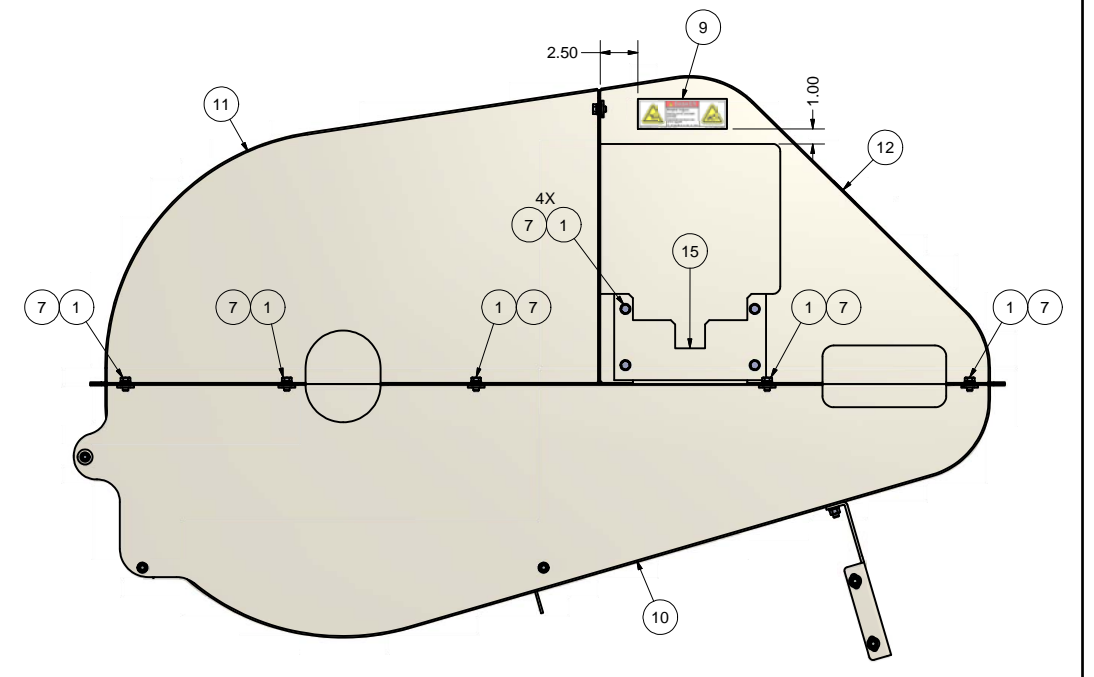
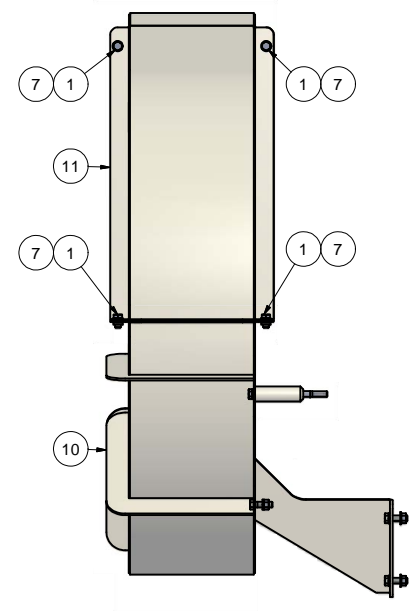
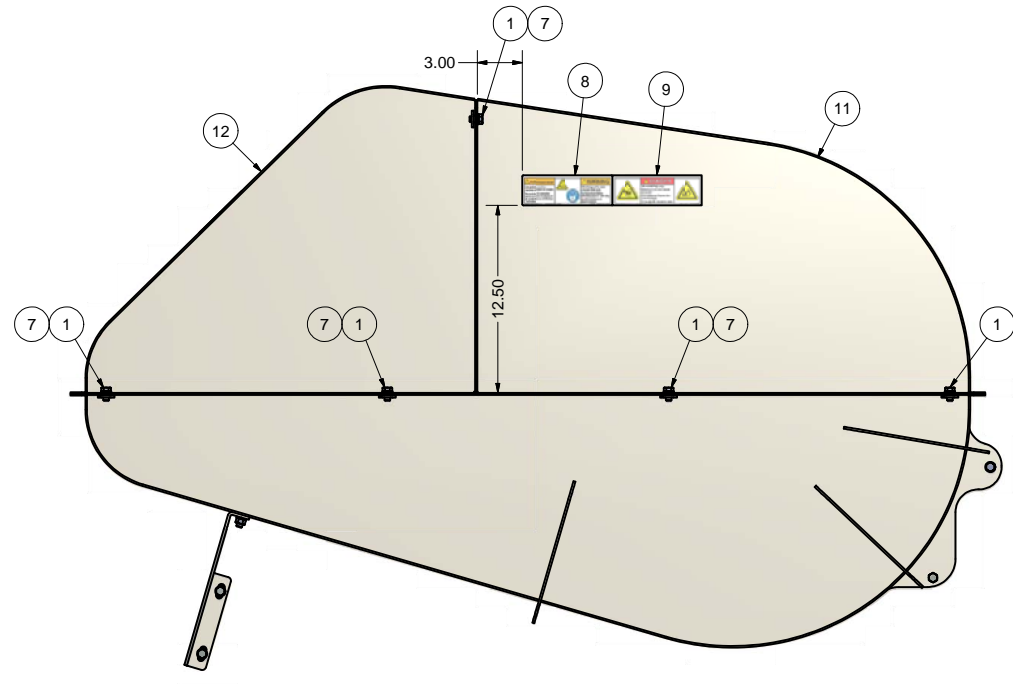
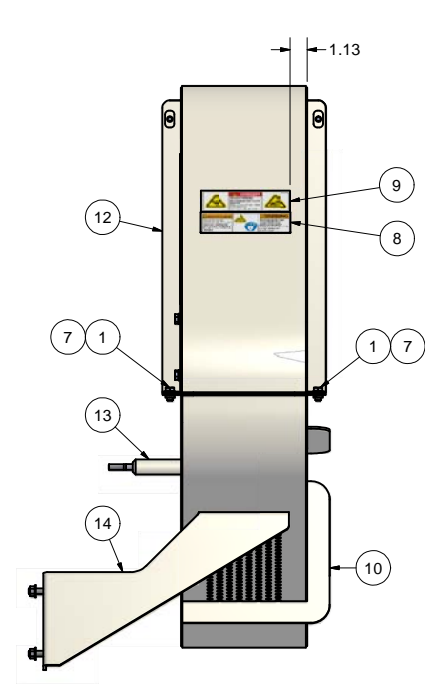
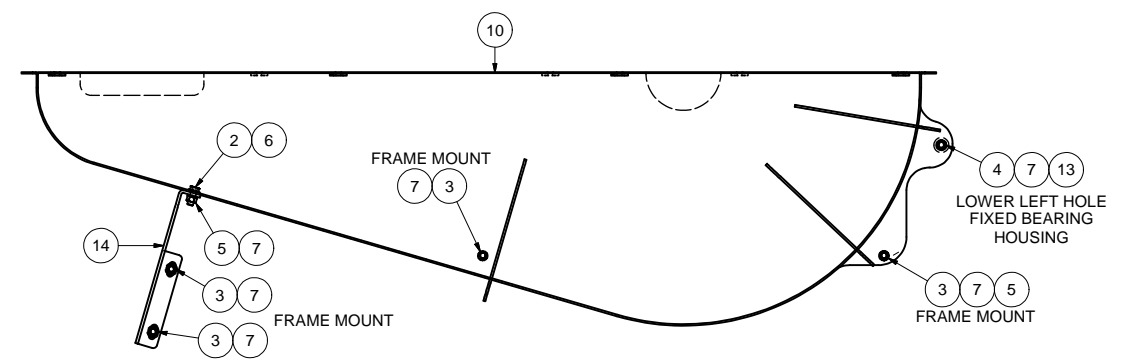
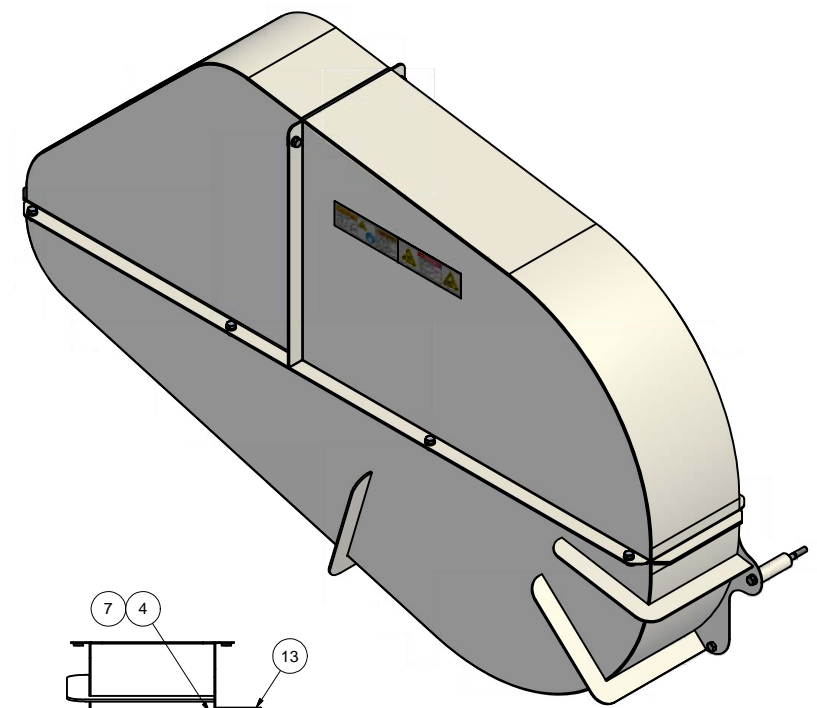
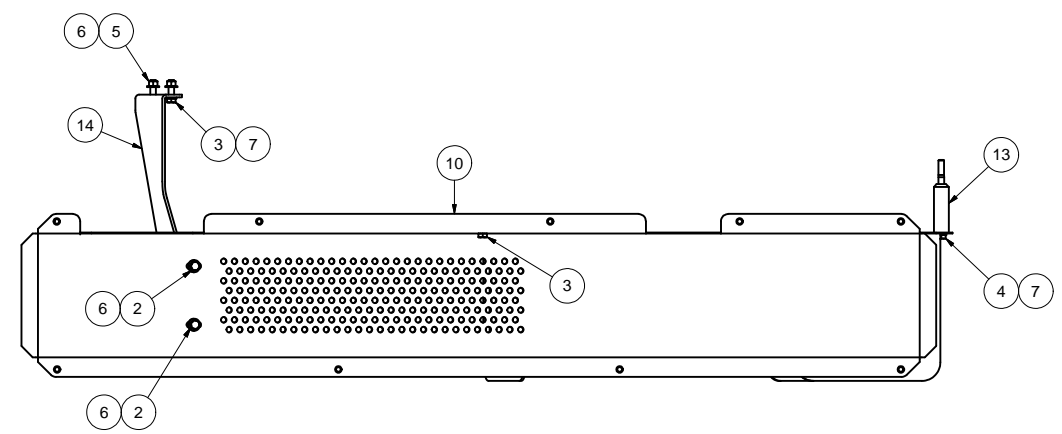


REVISION HISTORY				
REV	ECN	DESCRIPTION	DATE	APPROVED
A	K040061	RELEASE	4/7/2005	dmjohnson
B	K060124	62584455(1) WAS 62584451(1)	9/25/2006	dmjohnson
C	K110002	DELETE 80003568, 80006509 WAS 2X	1/4/2011	dmjohnson

NOTES:
 1. DO NOT SCALE FROM DRAWING.
 2. ONE PIECE REQUIRED PER K000-00186: ROLLER MILL ASSY, DUAL DRIVE 20 X 42" FL.
 3. INSTALL LOWER WELDMNT (K100-02056) TO FRAME & FIXED BEARING HOUSING BEFORE FASTENING UPPER WELDMENTS (K100-02057 & K100-02058) TO LOWER WELDMNT.



LEFT SIDE VIEW-COMPLETE INSTALLATION



LEFT SIDE VIEW-LOWER INSTALLATION

ITEM	PART NUMBER	QTY	DESCRIPTION
15	K200-07079	1	INSERT, PIVOT GUARD, DUAL DRV 20"
14	K200-07068	1	MOUNT, GUARD, DUAL DRIVE 20"
13	K200-07067	1	SPACER, GUARD, 3.22" 20"
12	K100-02058	1	GUARD WLDMT, REAR UPR PVT, DUAL DRV 20"
11	K100-02057	1	GUARD WLDMT, FNT UPR PVT, DUAL DRV 20"
10	K100-02056	1	GUARD WLDMT, LOWER PIVOT, DUAL DRV 20"
9	80006509	3	DECAL, DANGER, KEEP HANDS CLEAR
8	80003643	2	DECAL, WARNING, BELT & CHAIN
7	66444400	22	WASHER, LOCK HELICAL 3/8"
6	66404400	4	WASHER, FLAT 3/8" NARROW TYPE A
5	66084400	6	NUT, HEX 3/8-16
4	62584455	1	HHCS, 3/8-16 X 5.00"
3	62584426	4	HHCS, 3/8-16 X 1.25"
2	62584422	2	HHCS, 3/8-16 X 1.00"
1	62584415	15	HHCS, 3/8-16 X 5/8"

This drawing is the property of the A.T. Ferrell Company, Inc and must be returned immediately upon request. No part of this drawing may be reproduced, stored in a retrieval system or transmitted in any form or by any means, without prior written consent of the A.T. Ferrell Company, Inc.

CAD
 NO MANUAL CHANGES
 TOLERANCES EXCEPT AS NOTED

Ferrell-Ross
 MATERIALS PROCESSING & RECOVERY
 SINCE 1969

DIVISION OF A. T. FERRELL COMPANY
 BLUFFTON, INDIANA - USA

DECIMAL: .005	FINISH: NONE	SCALE: 0.16:1	DRAWN BY: dmjohnson	APPROVED BY: DMJ
FRACTIONAL: 1/32				
ANGULAR: ± 1/2°	DATE: 12/26/2004	SIZE: D	PART NUMBER: K100-02055	SHEET: 1 of 1