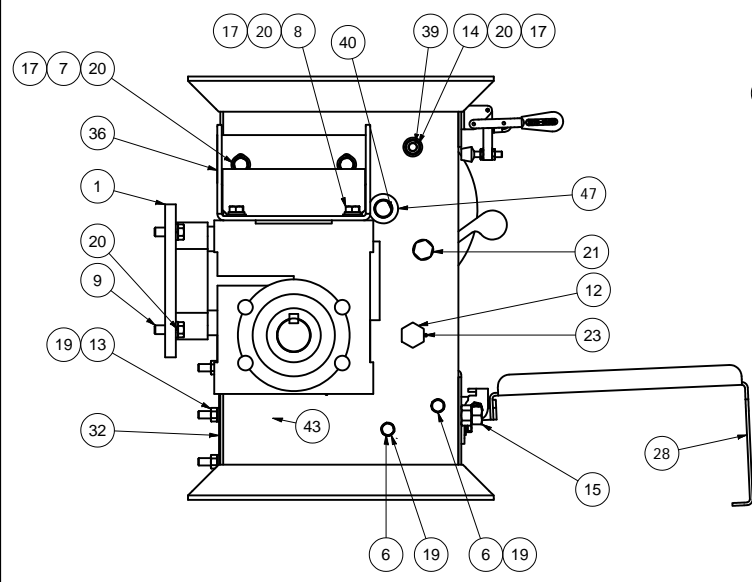
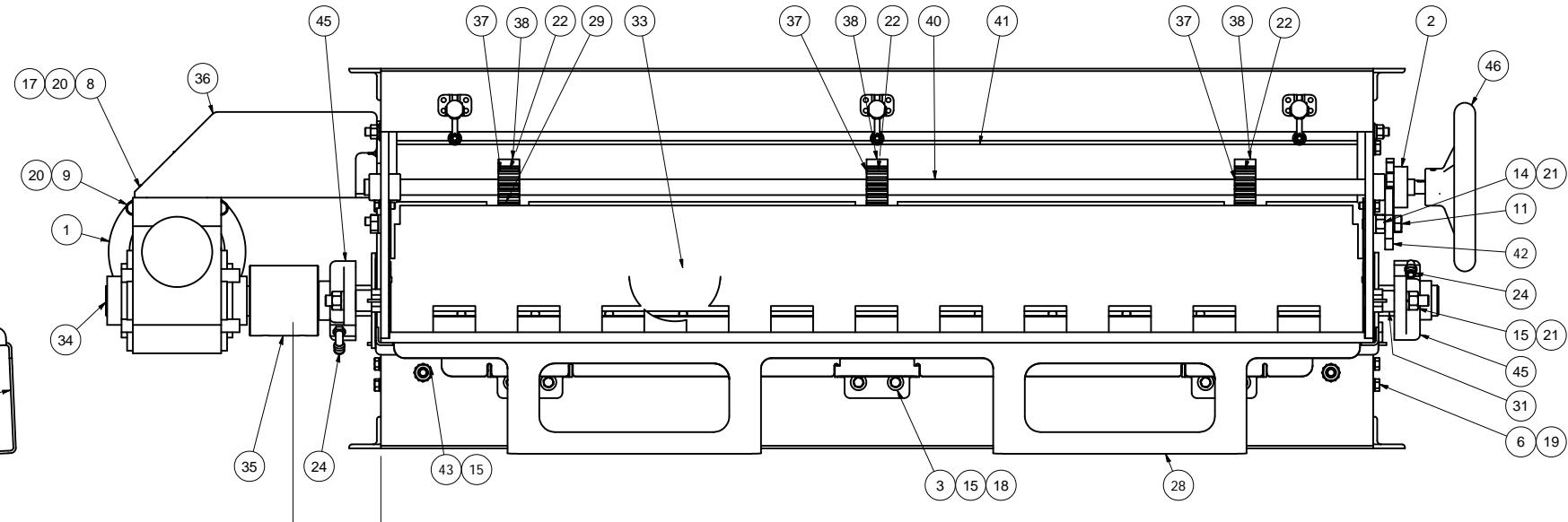


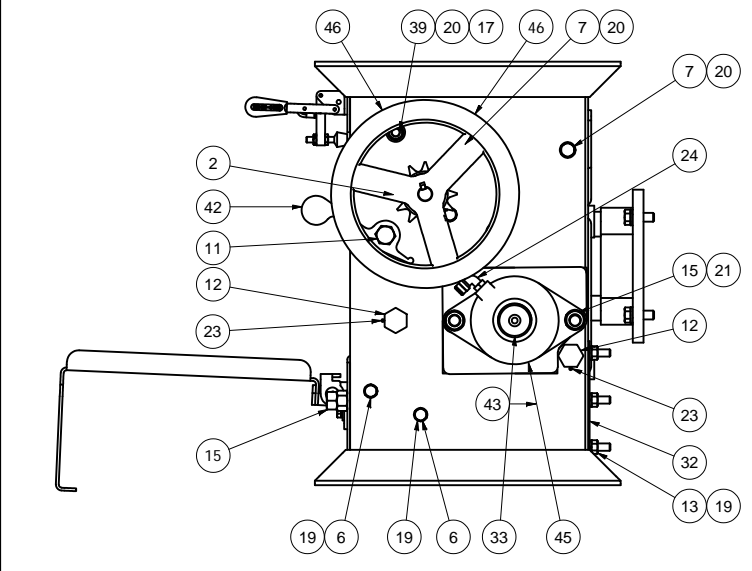
REVISION HISTORY				
REV	ECN	DESCRIPTION	DATE	APPROVED
A	K030052	RELEASE	8/20/2003	PG
B	K050023	K200-06577 WAS K200-05885	7/18/2005	DJ
C	K070147	ADDED NEW DOOR & ROD SUPPORT	12/17/2007	PG
D	K090105	REMOVED: K200-11050(3), K200-07416(2), K200-06315(1), 70004501(3) AND (67253800(2); ADDED K100-02439(1); K908-11913 WAS F01102002	4/8/2009	SH
E	K100093	40002616 WAS 40002612, DEL 66107100, DEL 67053815(4), 6X 67053817 WAS 2X, 10X 67104400 WAS 8X	4/14/2010	dmjohnson
F	K110107	Delete jam nut (66107100), replace hand wheel (K905-00200) w/hand wheel (K905-00103), & add keys (1ea 49020420 & 2ea 49020816)	5/24/2011	jmooss



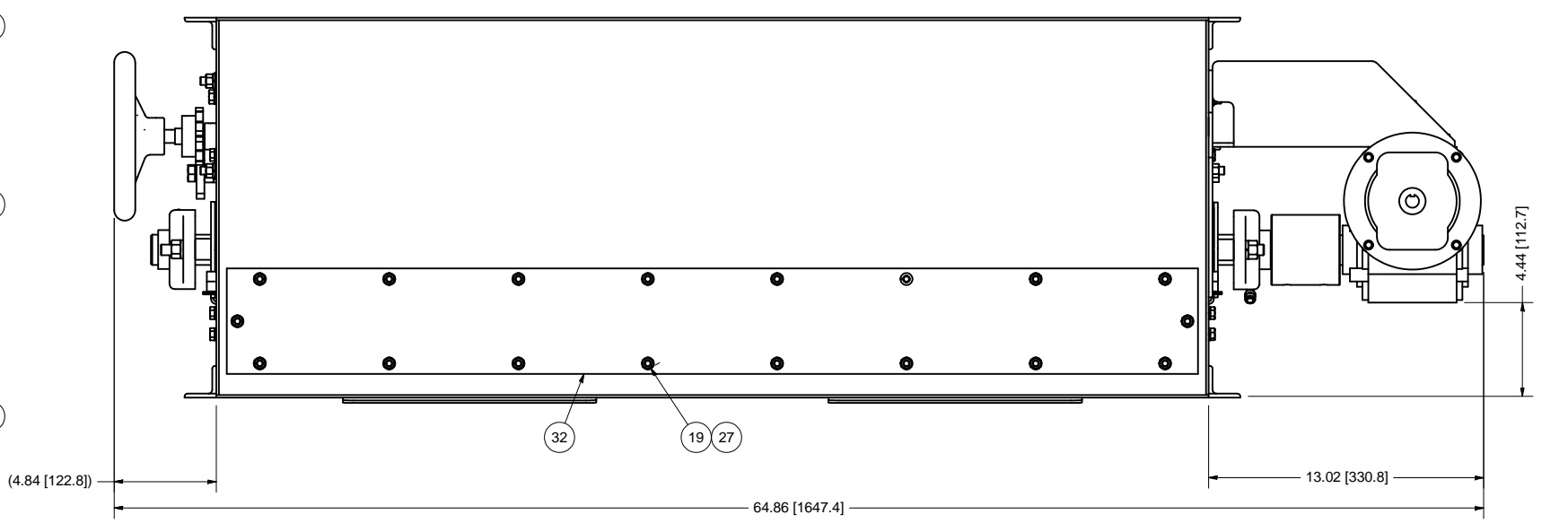
LEFT SIDE



FRONT VIEW



RIGHT SIDE



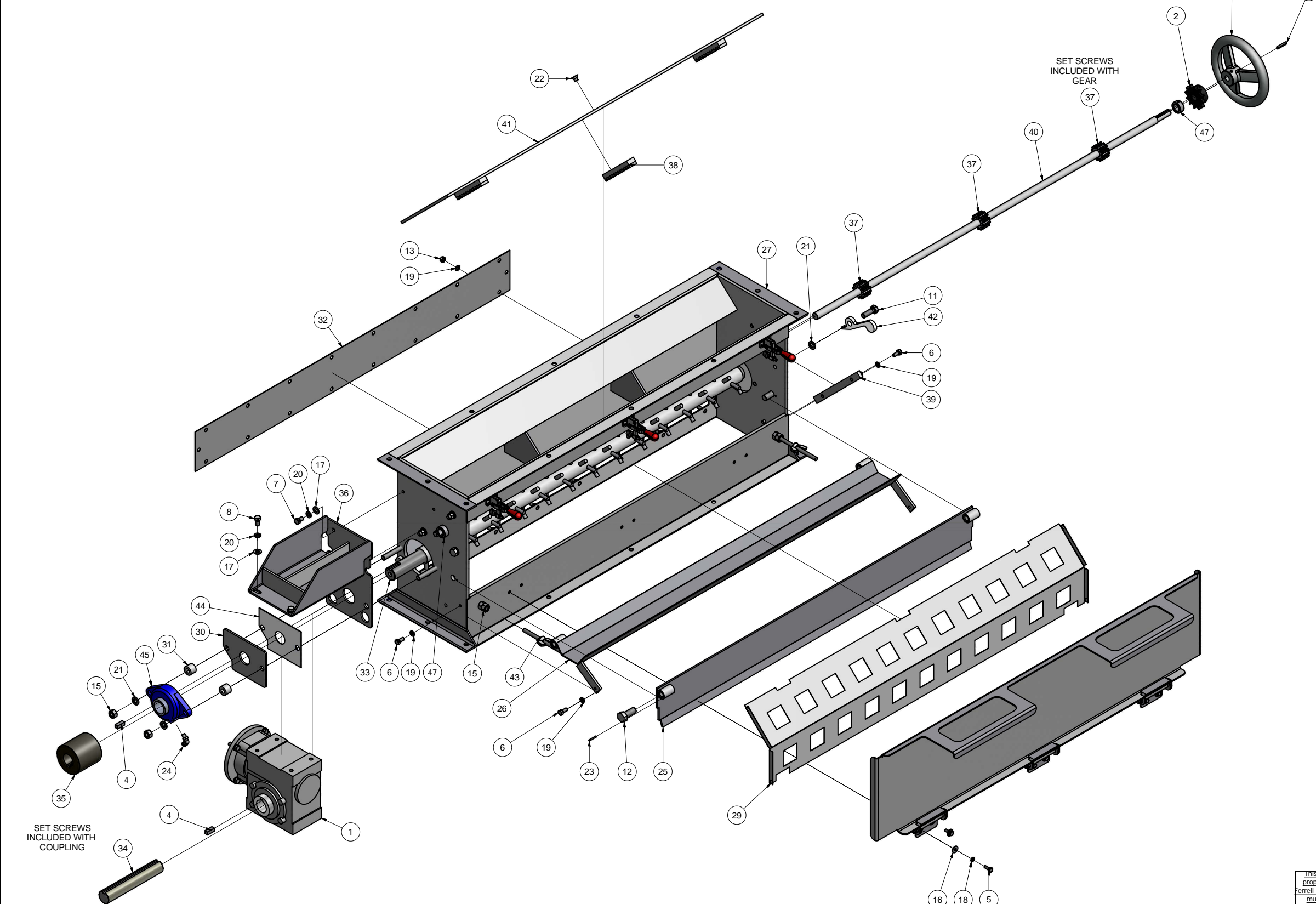
REAR VIEW

46	K905-00103	1	HANDWHEEL, AL, 8" OD .625 ID W/ KEY
47	K908-11913	3	COLLAR, LOCK 303SS 20mm X 31.8 mm X 14 mm
45	K902-04601	2	BRNG, FLANGE 2 HOLE, 1.438"
44	K201-05351	2	SEAL, DUST, BEARING SPACER, FEED ROLL
43	K200-11006	2	SCREW WLDMT, DEFLECTOR ADJ, PIN FEEDER
42	K200-11004	1	LATCH, SLIDE GATE, PIN FEEDER
41	K200-10393	1	GATE, SLIDE, PIN FEEDER 48"
40	K200-10389	1	SHAFT, SLIDE GATE, PIN FEEDER 24 X 48"
39	K200-10384	2	GUIDE WLDMT, SLIDE GATE, PIN FDR
38	K200-10383	3	RACK, GEAR 5" SLIDE GATE, PIN FDR
37	K200-10381	3	GEAR, PINION, 8P 12T 3/4" BORE
36	K200-06577	1	REDUCER MOUNT WLDMT, PIN FEEDER 18/24"
35	K200-05898	1	COUPLING, PIN FEEDER 18/20"
34	K200-05892	1	SHAFT, COUPLING 1.438", PIN FEEDER
33	K200-05692	1	PIN FEEDER SHAFT, RDGR DRV 24 X 48"
32	K200-05288	1	COVER, STEAM VENT, PIN FEEDER 24 X 48"
31	K200-00786	4	SPACER, SS .75" PIN FEEDER
30	K200-00784	2	SPACER, BEARING, FEED ROLL
29	K200-00165	1	GUARD, PIN FEEDER 24 X 48"
28	K100-02439	1	DOOR WLDMT, PIN FEEDER, 48"
27	K100-00193	1	HSG WLDMT, PIN FDR W/SLIDE GATE SS 24X48"
26	K100-00192	1	TROUGH WLDMT, PIN FDR SS 24 X 48"
25	K100-00191	1	BAFFLE WLDMT, PIN FEEDER, 24 X 48"
24	70012050	2	CPLG, ELBOW 90 1/8-27M NPT X 1/4" TBG
23	70008508	4	PIN, ROLL 1/8 X 1.00"
22	67184412	6	FHCS, 18-8 SS 3/8-16 X 1/2"
21	67125200	6	WASHER, LOCK HELICAL 18-8 SS, 1/2"
20	67124400	16	WASHER, LOCK HELICAL 18-8 SS 3/8"
19	67123800	24	WASHER, LOCK HELICAL 18-8 SS 5/16"
18	67123300	6	WASHER, LOCK HELICAL 18-8 SS 1/4"
17	67104400	10	WASHER, FLAT 18-8 SS TYPE A 3/8"
16	67103300	6	WASHER, FLAT 18-8 SS TYPE A 1/4"
15	67065200	7	NUT, HEX 18-8 SS 1/2-13
14	67064400	4	NUT, HEX 18-8 SS 3/8-16
13	67063800	17	NUT, HEX 18-8 SS, 5/16-18
12	67055828	4	HHCS, 18-8 SS 5/8 -11 X 1.50"
11	67055228	1	HHCS, 18-8 SS 1/2-13 X 1.50"
10	67055212	1	HHCS, 18-8 SS 1/2-13 X 1/2"
9	67054422	4	HHCS, 18-8 SS 3/8-16 X 1.00"
8	67054417	4	HHCS, 18-8 SS 3/8-16 X 3/4"
7	67054415	4	HHCS, 18-8 SS 3/8-16 X 5/8"
6	67053817	6	HHCS, 18-8 SS 5/16-18 X 3/4"
5	67053317	6	HHCS, 18-8 SS, 1/4-20 X .75"
4	49020816	2	KEY, SQUARE 18-8 SS 3/8 X 1.00
3	49020420	1	KEY, SQUARE 18-8 SS 3/16 X 1.25"
2	46141206	1	SPRKT, 50BS12 X .75"
1	40002616	1	GEAR REDUCER, 15:1 56C/1750

NOTES:
 1: DO NOT SCALE FROM DRAWING.
 2: ONE PIECE REQUIRED PER K000-02448: ROLLER MILL ASSY, DUAL DRIVE 24 X 48" FL.
 3: ONE PIECE REQUIRED PER K000-02452: ROLLER MILL ASSY, DUAL DRIVE PNEUMATIC ACCUMATE 24 X 48" FL.
 4: RH ASSY SHOWN, ASSEMBLE SHAFT & DRIVE OPPOSITE FOR LH MILL.
 5: 3/4 HP MOTOR & CONTROLLER NOT SHOWN OR IN BILL OF MATERIAL, WRITE AS LINE ITEMS ON SALES ORDER.
 6. ALTERNATIVE UNITS [X.X] IN MILLIMETERS.

This drawing is the property of the A.T. Ferrell Company, Inc. and must be returned immediately upon request. No part of this drawing may be reproduced, stored in retrieval system or transmitted in any form or by any means, without prior written consent of the A.T. Ferrell Company, Inc.	E C F NO MANUAL CHANGES EXCEPT AS NOTED		
	DIVISION OF A. T. FERRELL COMPANY SINCE 1867 BLUFFTON, INDIANA - USA	SCALE: 1:4 DRAWN BY: dmjohnson APPROVED BY: DMJ	
	DECIMAL: .005 FRACTIONAL: 1/32 ANGLAR: 1/2-	TITLE: PIN FEEDER ASSY, REDUCER DRIVE, 24 X 48" DATE: 7/18/2005 SIZE: D PART NUMBER: K100-02454 SHEET: 1 of 2	

REV	ECN	REVISION HISTORY	DATE	APPROVED
A	K030052	RELEASE	8/20/2003	PG
B	K050023	K200-06577 WAS K200-05885	7/18/2005	DJ
C	K070147	ADDED NEW DOOR & ROD SUPPORT	12/17/2007	PG
D	K090105	REMOVED: K200-11050(3), K200-07416(2), K200-06315(1), 70004501(3) AND (67253800(2); ADDED K100-02439(1); K908-11913 WAS F01102002	4/8/2009	SH
E	K100093	40002616 WAS 40002612, ADD 66107100, DEL 67053815(4), 6X 67053817 WAS 2X, 10X 67104400 WAS 8X	4/14/2010	dmjohnson
F	K110107	Delete jam nut (66107100), replace hand wheel (K905-00200) w/hand wheel (K905-00103), & add keys (1ea 49020420 & 2ea 49020816)	5/24/2011	jmoos



SET SCREW INCLUDED WITH HAND WHEEL

SET SCREWS INCLUDED WITH GEAR

SET SCREWS INCLUDED WITH COUPLING

47	K908-11913	3	COLLAR, LOCK 303SS 20mm X 31.8 mm X 14 mm
46	K905-00103	1	HANDWHEEL, AL, 8" OD, 625 ID W/ KEY
45	K902-04601	2	BRNG, FLANGE 2 HOLE, 1.438"
44	K201-05351	2	SEAL, DUST, BEARING SPACER, FEED ROLL
43	K200-11006	2	SCREW WLDMT, DEFLECTOR ADJ, PIN FEEDER
42	K200-11004	1	LATCH, SLIDE GATE, PIN FEEDER
41	K200-10393	1	GATE, SLIDE, PIN FEEDER 48"
40	K200-10389	1	SHAFT, SLIDE GATE, PIN FEEDER 24 X 48"
39	K200-10384	2	GUIDE WLDMT, SLIDE GATE, PIN FDR
38	K200-10383	3	RACK, GEAR 5" SLIDE GATE, PIN FDR
37	K200-10381	3	GEAR, PINION, 8P 12T 3/4" BORE
36	K200-06577	1	REDUCER MOUNT WLDMT, PIN FEEDER 18/24"
35	K200-05898	1	COUPLING, PIN FEEDER 18/20"
34	K200-05892	1	SHAFT, COUPLING 1.438", PIN FEEDER
33	K200-05692	1	PIN FEEDER SHAFT, RDCR DRV 24 X 48"
32	K200-05288	1	COVER, STEAM VENT, PIN FEEDER 24 X 48"
31	K200-00786	4	SPACER, SS .75" PIN FEEDER
30	K200-00784	2	SPACER, BEARING, FEED ROLL
29	K200-00165	1	GUARD, PIN FEEDER 24 X 48"
28	K100-02439	1	DOOR WLDMT, PIN FEEDER, 48"
27	K100-00193	1	HSG WLDMT, PIN FDR W/SLIDE GATE SS 24X48"
26	K100-00192	1	TROUGH WLDMT, PIN FDR SS 24 X 48"
25	K100-00191	1	BAFFLE WLDMT, PIN FEEDER, 24 X 48"
24	70012050	2	CPLG, ELBOW 90 1/8-27M NPT X 1/4" TBG
23	70008508	4	PIN, ROLL 1/8 X 1.00"
22	67184412	6	FHCS, 18-8 SS 3/8-16 X 1/2"
21	67125200	6	WASHER, LOCK HELICAL 18-8 SS, 1/2"
20	67124400	16	WASHER, LOCK HELICAL 18-8 SS 3/8"
19	67123800	24	WASHER, LOCK HELICAL 18-8 SS 5/16"
18	67123300	6	WASHER, LOCK HELICAL 18-8 SS 1/4"
17	67104400	10	WASHER, FLAT 18-8 SS TYPE A 3/8"
16	67103300	6	WASHER, FLAT 18-8 SS TYPE A 1/4"
15	67065200	7	NUT, HEX 18-8 SS 1/2-13
14	67064400	4	NUT, HEX 18-8 SS 3/8-16
13	67063800	17	NUT, HEX 18-8 SS, 5/16-18
12	67055828	4	HHCS, 18-8 SS 5/8 -11 X 1.50"
11	67055228	1	HHCS, 18-8 SS 1/2-13 X 1.50"
10	67055212	1	HHCS, 18-8 SS 1/2-13 X 1/2"
9	67054422	4	HHCS, 18-8 SS 3/8-16 X 1.00"
8	67054417	4	HHCS, 18-8 SS 3/8-16 X 3/4"
7	67054415	4	HHCS, 18-8 SS 3/8-16 X 5/8"
6	67053817	6	HHCS, 18-8 SS 5/16-18 X 3/4"
5	67053317	6	HHCS, 18-8 SS, 1/4-20 X .75"
4	49020816	2	KEY, SQUARE 18-8 SS 3/8 X 1.00
3	49020420	1	KEY, SQUARE 18-8 SS 3/16 X 1.25"
2	46141206	1	SPRKT, 50BS12 X .75"
1	40002616	1	GEAR REDUCER, 15:1 56C/1750

- NOTES:
- DO NOT SCALE FROM DRAWING.
 - ONE PIECE REQUIRED PER K000-02448: ROLLER MILL ASSY, DUAL DRIVE 24 X 48" FL.
 - ONE PIECE REQUIRED PER K000-02452: ROLLER MILL ASSY, DUAL DRIVE PNEUMATIC ACCUMATE 24 X 48" FL.
 - RH ASSY SHOWN, ASSEMBLE SHAFT & DRIVE OPPOSITE FOR LH MILL.
 - 3/4 HP MOTOR & CONTROLLER NOT SHOWN OR IN BILL OF MATERIAL, WRITE AS LINE ITEMS ON SALES ORDER.
 - ALTERNATIVE UNITS [X.X] IN MILLIMETERS.

This drawing is the property of the A.T. Ferrell Company, Inc. and must be returned immediately upon request. No part of this drawing may be reproduced, stored in retrieval system or transmitted in any form or by any means, without prior written consent of the A.T. Ferrell Company, Inc.

NO MANUAL CHANGES

EXCEPT AS NOTED

DECIMAL: xxx = .005
xx = .030

FRACTIONAL: ± 1/32

ANGULAR: ± 1/2-

DIVISION OF A. T. FERRELL COMPANY

SCALE: 1:4

DRAWN BY: dmjohnson

APPROVED BY: DMJ

TITLE: PIN FEEDER ASSY, REDUCER DRIVE, 24 X 48"

DATE: 7/18/2005

SIZE: D

PART NUMBER: K100-02454

SHEET: 2 of 2