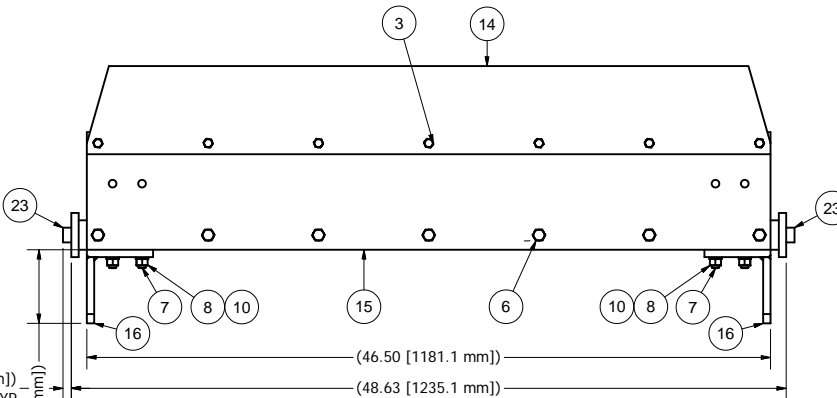
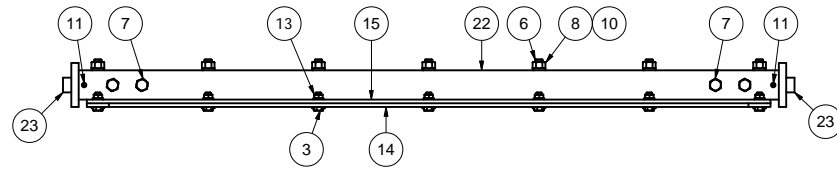
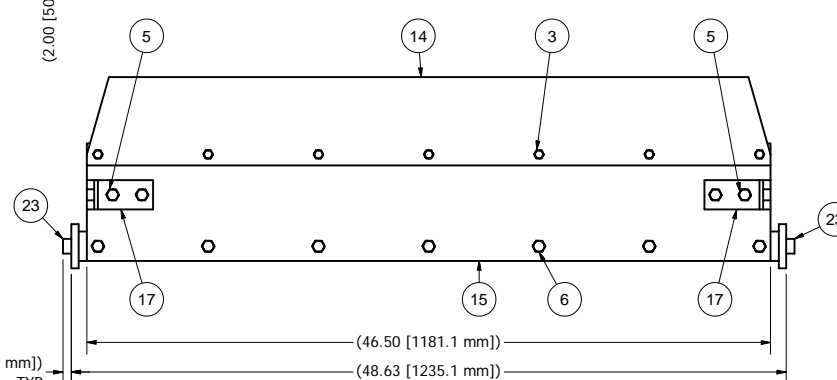
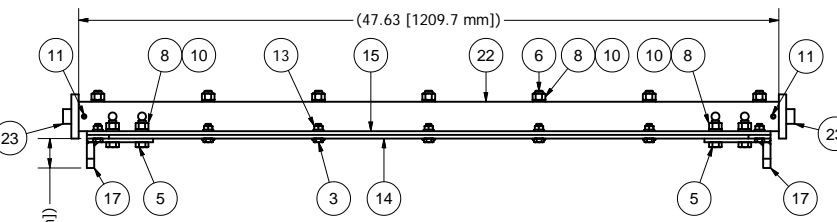
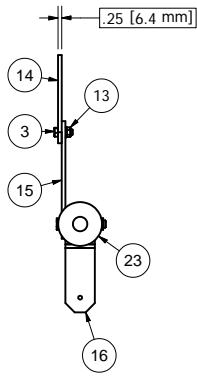


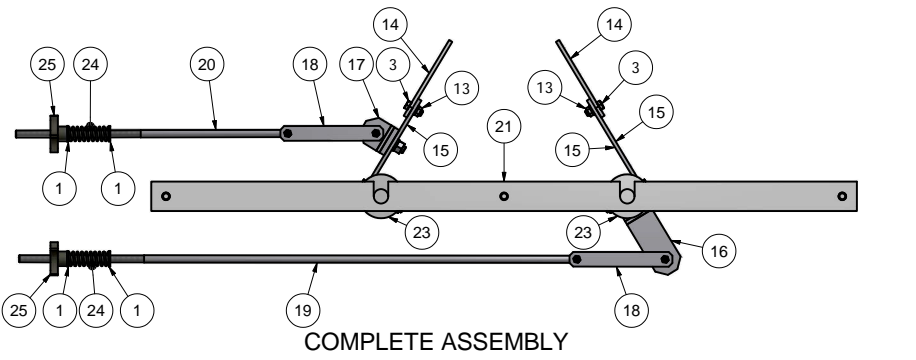
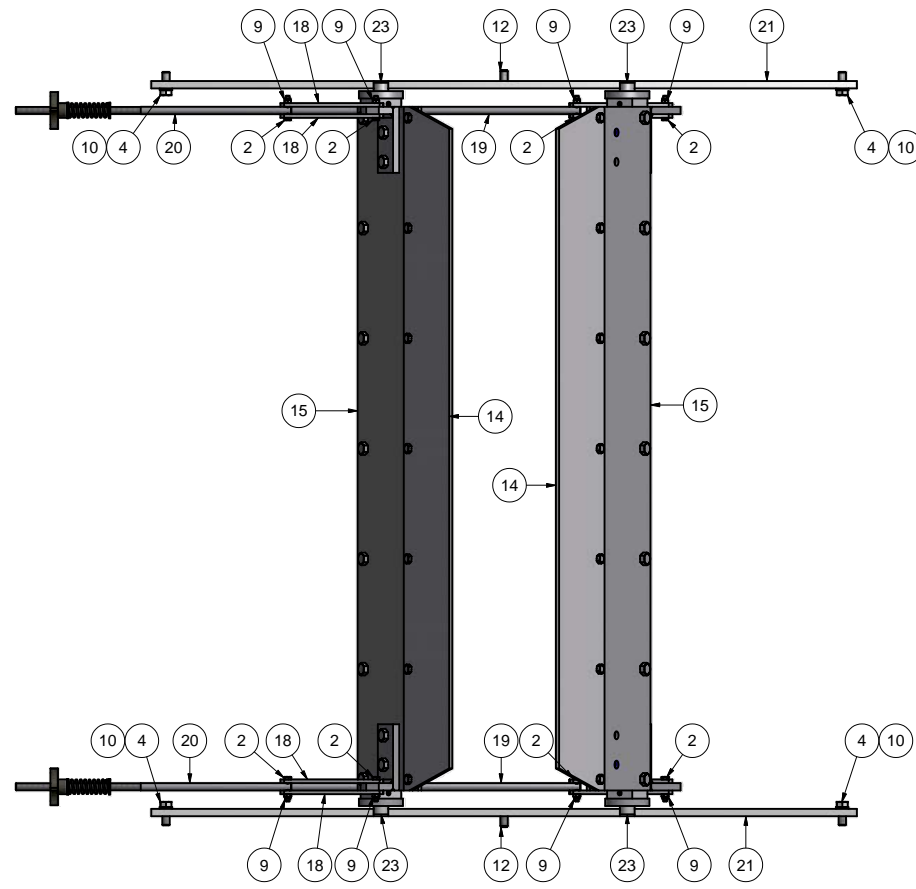
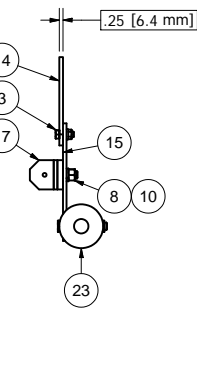
REVISION HISTORY				
REV	ECN	DESCRIPTION	DATE	APPROVED
A	K030062	RELEASE	8/22/2003	pggalea
B	K060117	REDRAWN INVENTOR	1/8/2007	dmjohnson
C	K070175	K201-00268 WAS 4 PCS	11/13/2007	pggalea
D	K080012	67254400 was 67324400	2/12/2008	dmjohnson
E	K110220	UNDO REV D	10/14/2011	jlmoos



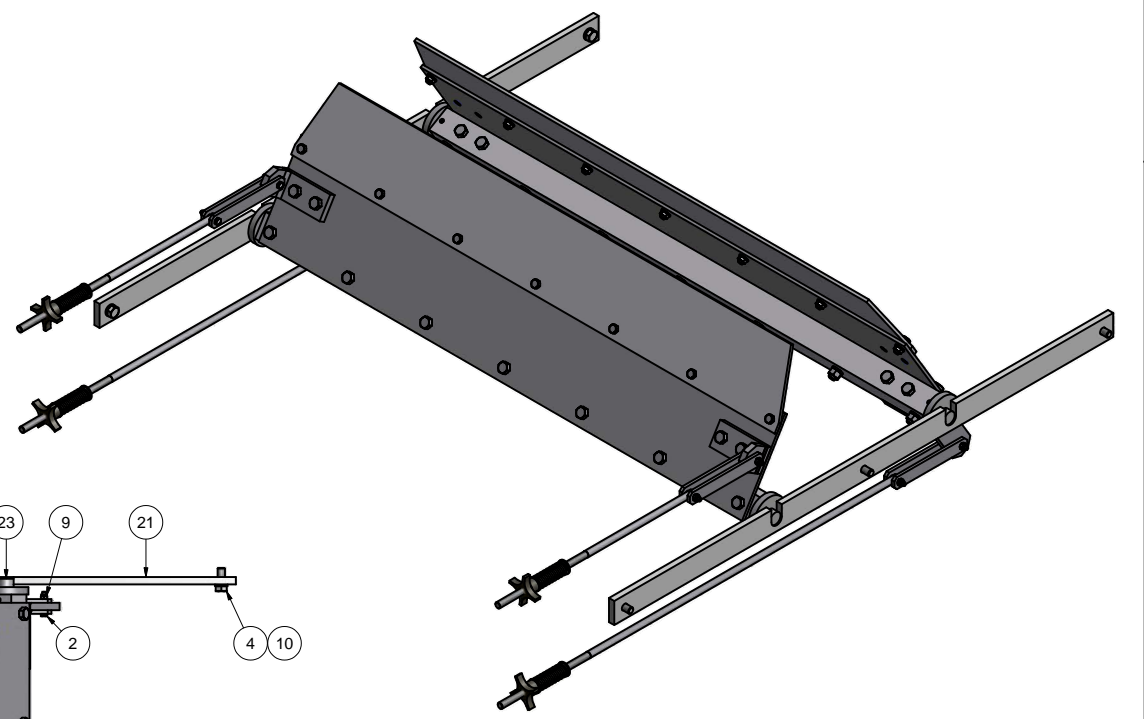
REAR SCRAPER ASSEMBLY



FRONT SCRAPER ASSEMBLY



COMPLETE ASSEMBLY



ITEM	PART NUMBER	QTY	DESCRIPTION
25	K910-01261	4	KNOB, CAST 1/2-13 OPEN
24	K201-00268	8	SPRING, SCRAPER TENSION 2.75"
23	K200-02274	4	END, SCRAPER BAR FL 24"
22	K200-02273	2	BAR, SCRAPER FL 24 X 48"
21	K200-02014	2	SUPPORT, SCRAPER 24" FL
20	K200-02013	2	ROD, FRONT TENSION, SCRAPER FL 24"
19	K200-02012	2	ROD, REAR TENSION, SCRAPER FL 24"
18	K200-02011	8	LINK, ROD, SCRAPER FL 24"
17	K200-02010	2	BRACKET WLDMT, UPR ROD, SCRAPER FL 24"
16	K200-02009	2	BRACKET WLDMT, LWR ROD, SCRAPER FL 24"
15	K200-02007	2	PLT, SCRAPER BACKING FL 24 X 48"
14	K200-02006	2	BLADE, SCRAPER .25X6.00" ALUM FL 24X48"
13	67324400	14	NUT, HEX SERR LOCK 18-8 SS, 3/8-16
12	67185226	2	SHCS, FLT CNTRSINK T304 SS 1/2-13X1.25"
11	67134408	4	SCW, SET 18-8 SS 3/8-16 X .38" SCKT KNLRD CUP PT
10	67125200	26	WASHER, LOCK HELICAL 18-8 SS, 1/2"
9	67093300	8	NUT, HEX 18-8 SS 1/4-20 NYLOCK
8	67065200	22	NUT, HEX 18-8 SS 1/2-13
7	67055244	4	HHCS, 18-8 SS, 1/2-13 X 3.25"
6	67055242	14	HHCS, 18-8 SS, 1/2-13 X 3.00"
5	67055228	4	HHCS, 18-8 SS 1/2-13 X 1.50"
4	67055226	4	HHCS, 18-8 SS 1/2-13 X 1.25"
3	67054422	14	HHCS, 18-8 SS 3/8-16 X 1.00"
2	67053328	8	HHCS, 18-8 SS, 1/4-20 X 1.50"
1	66405200	8	WASHER, FLAT 1/2" TYPE A

NOTES:
 1. DO NOT SCALE FROM DRAWING.
 2. ONE PIECE REQUIRED PER K000-02448: ROLLER MILL ASSY, FL 24 X 48".
 3. ONE PIECE REQUIRED PER K000-02454: ROLLER MILL ASSY, HP OS 24 X 48".
 4. OPTIONAL BLADE, K200-02005: BLADE, SCRAPER 1/4 X 6.00" SS, 24 X 48".
 5. OPTIONAL BLADE, K200-02718: BLADE, SCRAPER 3/8 X 6.00" ALUM, 24 X 48".
 6. FOR PNEUMATIC DOCTOR BLADE ASSY, SEE K100-02458: SCRAPER ASSY, PNEUMATIC ACCUMATE 24 X 48".
 7. APPLY A THIN, EVEN COAT OF FOOD GRADE SS ANTI-SEIZE (FDA SPEC SECTION 178.3570) TO ALL SS MALE THREADS BEFORE ASSEMBLING.

This drawing is the property of the A.T. Ferrell Company, Inc. and must be returned immediately upon request. No part of this drawing may be reproduced, stored in a retrieval system or transmitted in any form or by any means, without prior written consent of the A.T. Ferrell Company, Inc.	CAD NO MANUAL CHANGES TOLERANCES EXCEPT AS NOTED			
	FINISH: NONE DECIMAL: xxx = .005 xx = .030 FRACTIONAL: ± 1/32 ANGULAR: ± 1/2°	DIVISION OF A. T. FERRELL COMPANY SCALE: 0.16:1 DRAWN BY: dmjohnson DATE: 1/6/2007	BLUFFTON, INDIANA - USA APPROVED BY: DMJ TITLE: SCRAPER ASSY, FL 24 X 48" SIZE: D PART NUMBER: K100-02455	SHEET: 1 of 1