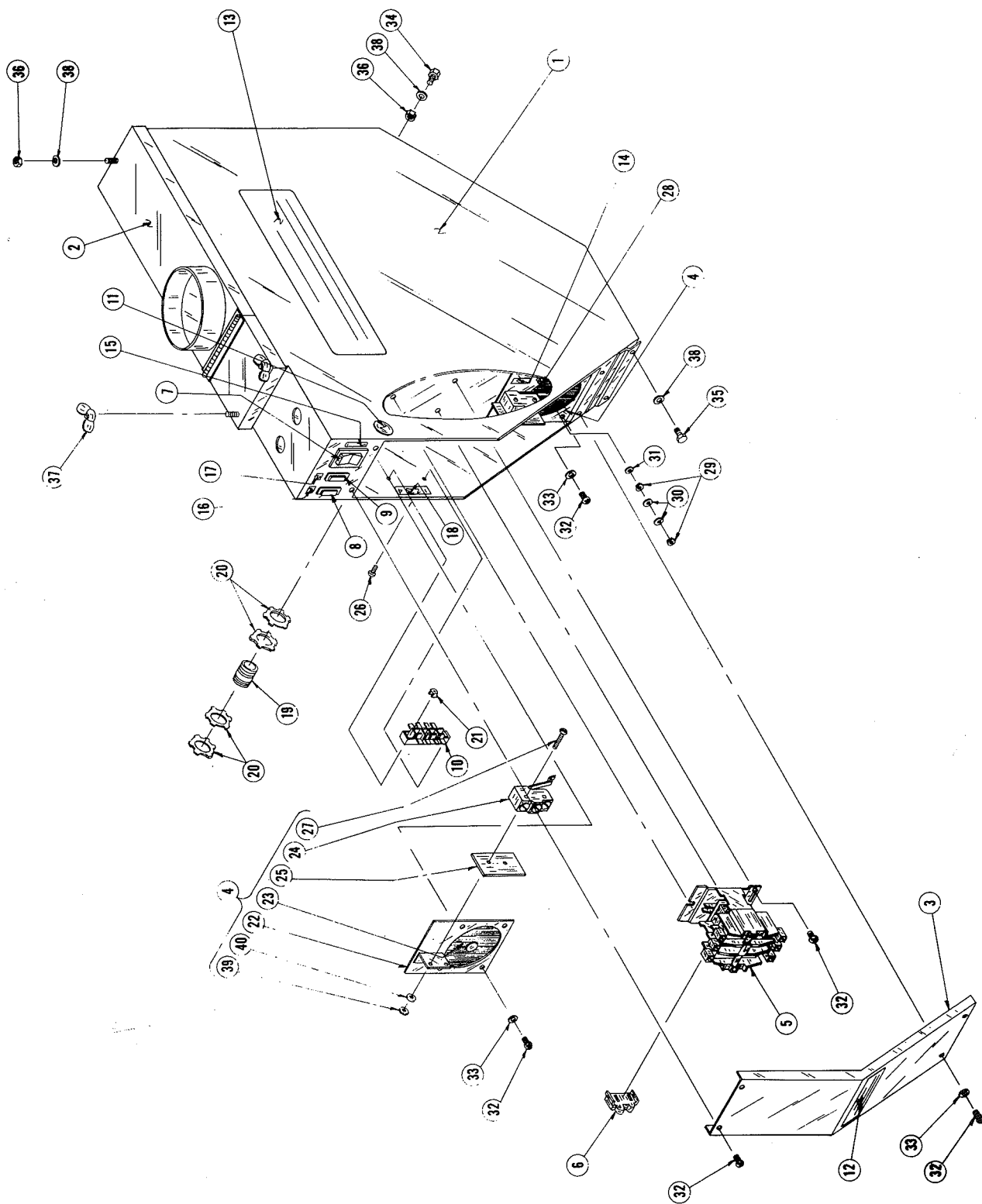


**30A27 CONTROL HOPPER (EARLY MODEL W/ROUND DIAPHRAGMS —
USED ON ANY 4" METERING AUGER)**

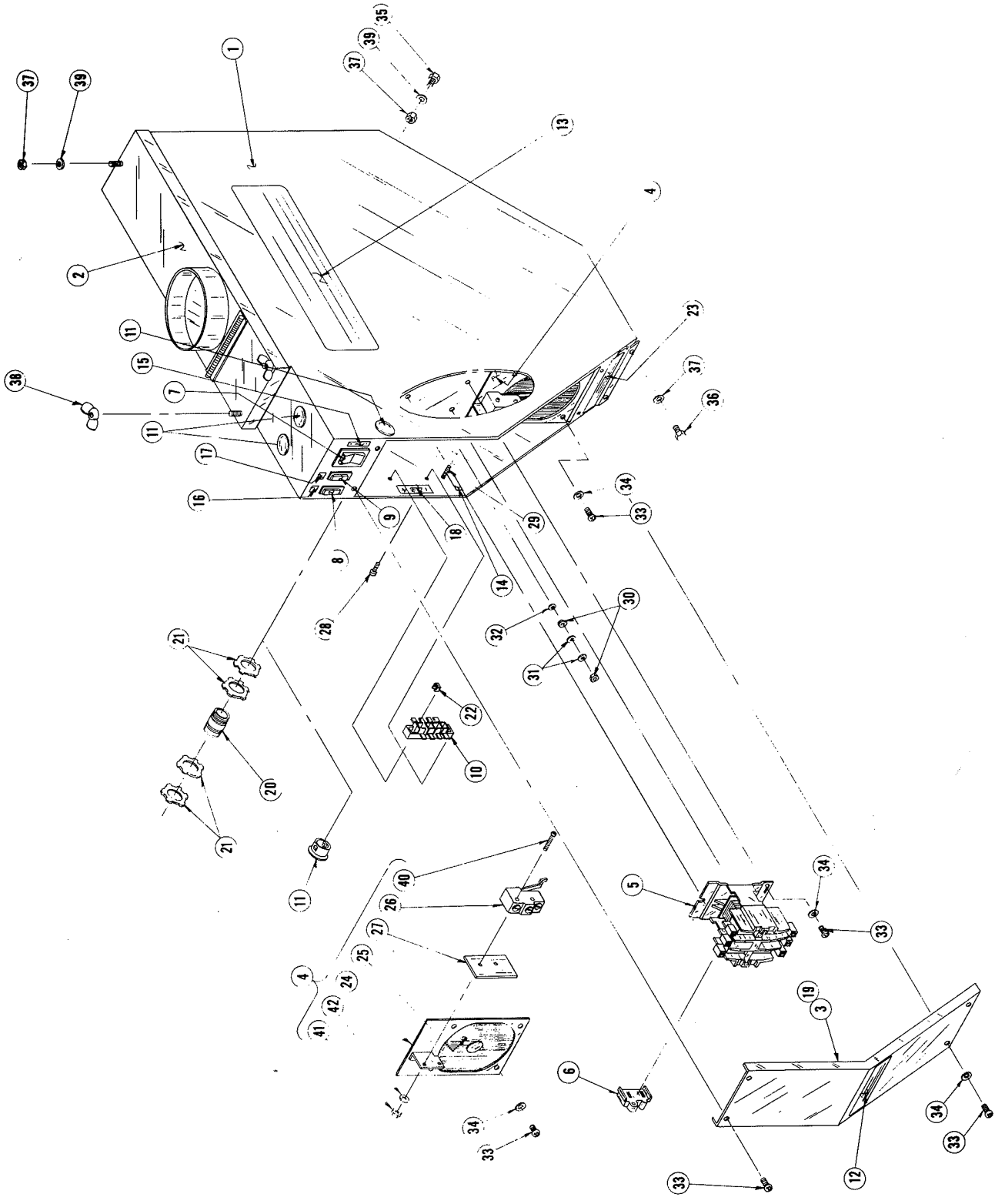


30A27 CONTROL HOPPER (EARLY MODEL W/3" ROUND DIAPHRAGMS USED ON ANY 4" METERING AUGER)

ITEM	PART NO.	DESCRIPTION	QTY.
1	2A741	Hopper Housing	1
2	2A742	Hinged Cover Assy.	1
3	2A743	Switch Cover	1
4	10A60	Diaphragm switch Sub. Assy.	2
5	4A181	Contact - 30 Amp. 3 Pole	1
6	4A212	Aux. Switch - Contactor	1
7	4A192	Rocker Switch - SPST	1
8	4A173	Light - Amber 115 V.	1
9	4A174	Light - Amber 230 V.	1
10	4A180	Terminal Block - 4 Terminal	1
11	4A169G1	Hole Plug	AR
12	9A49	Label - Warning	1
13	9A50	Decal - Modern Mill	1
14	9A69	Decal - Ground	1
15	9A210	Decal - On-Off	1
16	9A211	Decal - 115 V. Power	1
17	9A212	Decal - 230 V. Power	1
18	9A213	Decal - Terminal Block	1
19	4A58	1/2" Close Pipe Nipple	1
20	4A59	1/2" Lock Nut - Pipe	4

ITEM	PART NO.	DESCRIPTION	QTY.
21	4A248	Mtg. Insert (Terminal Block)	2
22	2A774	Mtg. Plate Assy.	2
23	2A745	Diaphragm only w/Metal Disc	2
24	4A247G2	Micro Switch	2
25	4A55	Insulation	2
26		#6-32x5/8" Rd. Hd. Mach. Screw	2
27		#6-32x1 1/8" Rd. Hd. Mach. Screw	4
28		#3-32 x 3/4" Rd. Hd. Mach. Screw	1
29		#8-32 Hex Nut	2
30		#3 Flat Washer	28
3		#8 Lock Washer	12
32		#10-32x1/2" S.T. Pan Hd. Mach Screw	14
33		#10 Lock Washer	14
34		1/4"-20 x 1/2" Hex Hd. Mach. Screw	2
35		1/4"-20 x 1/2" S.T. Hex Rd. Mach. Screw	2
36		1/4"-20 Hex Nut	3
37		1/4"-20 Wing Nut	2
38		1/4" Lock Washer	5
39		#6-32 Hex Nut	4
40		#6 Lock Washer	4

30B27 CONTROL HOPPER (W/3 3/8" x 4 7/16" OVAL DIAPHRAGMS — USED ON ANY 4" METERING AUGER)

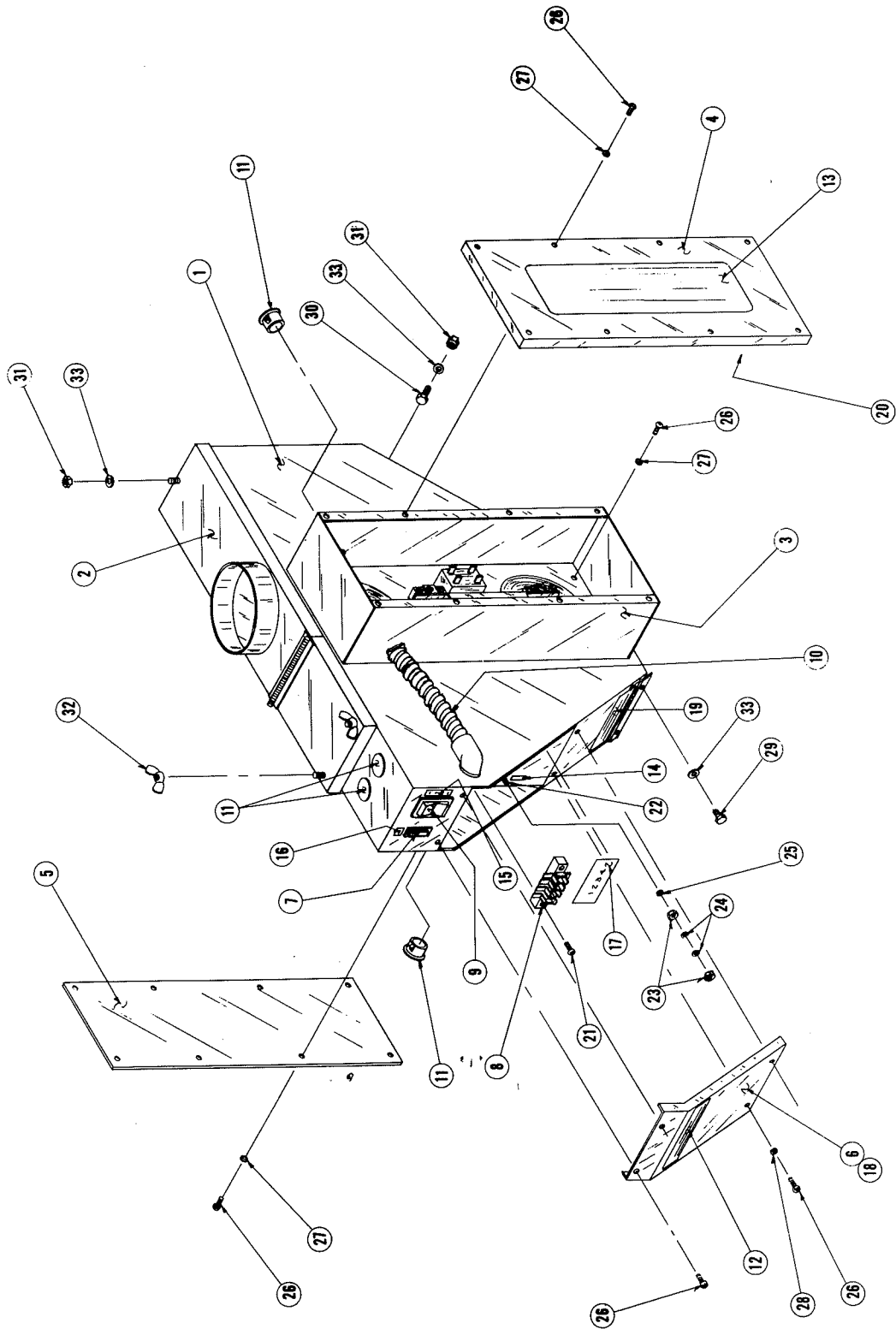


**30B27 CONTROL HOPPER (W/3 3/8" x 4 7/16" OVAL DIAPHRAGMS
(USED ON ANY 4" METERING AUGER)**

ITEM	PART NO.	DESCRIPTION	QTY.
1	2A874	Hopper Housing	1
2	2A742	Hinged Cover Assy.	1
3	2A743	Switch Cover	1
4	10A116	Diaphragm Switch Sub Assy.	2
5	4A181	Contractor - 30 Amp. - 3 Pole	1
6	4A212	Aux. Switch for Contactor	1
7	4A192	Rocker Switch - SPST	1
8	4A173	Light - Amber 115 V.	1
9	4A174	Light - Amber 230 V.	1
10	4A180	Terminal Block - 4 Terminal	1
11	4A169G1	Hole Plug (1/2" Conduit)	AR
12	9A49	Label - Warning	1
13	9A50	Decal - Modern Mill	1
14	9A69	Decal - Ground	1
15	9A210	Decal - On-Off	1
16	9A211	Decal - 115 V. Power	1
17	9A212	Decal - 230 V. Power	1
18	9A213	Decal - Terminal Block	1
19	9A234	Decal - Control Hopper Wiring	1
20	4A58	1/2" Close Pipe Nipple	1
21	4A59	1/2" Lock Nut - Pipe	4

ITEM	PART NO.	DESCRIPTION	QTY.
22	4A248	Mfg. Insert (Terminal Block)	1
23	9A238	Decal - Identification	1
24	2A929	Mfg. Plate Assy. w/Diaphragm	2
25	2A872	Diaphragm only w/Metal Disc	2
26	4A247G3	Micro-Switch	2
27	4A55	Insulation	2
28		#6-32 x 5/8" Rd. Hd. Mach. Screw	2
29		#8-32 x 1/4" Rd. Hd. Mach. Screw	1
30		#8-32 Hex Nut	2
31		#8 Flat Washer	2
32		#8 Lock Washer	1
33		#10-32 x 1/2" S.T. Pan Hd. Mach. Screw	15
34		#10 Lock Washer	15
35		1/4" - 20 x 1/2" hex Hd. Cap Screw	2
36		1/4" - 20 x 1/2" S.T. Hex Hd. Mach. Screw	2
37		1/4" - 20 Hex Nut	3
38		1/4" - 20 Wing Nut	2
39		1/4" Lock Washer	5
40		#6-32 x 1 1/8" Rd. Hd. Mach. Screw	4
41		#6-32 Hex Nut	4
42		#6 Lock Washer	4

**30A28 PREMIXER CONTROL HOPPER (USED ON EITHER
OUTSIDE COMPARTMENT)**

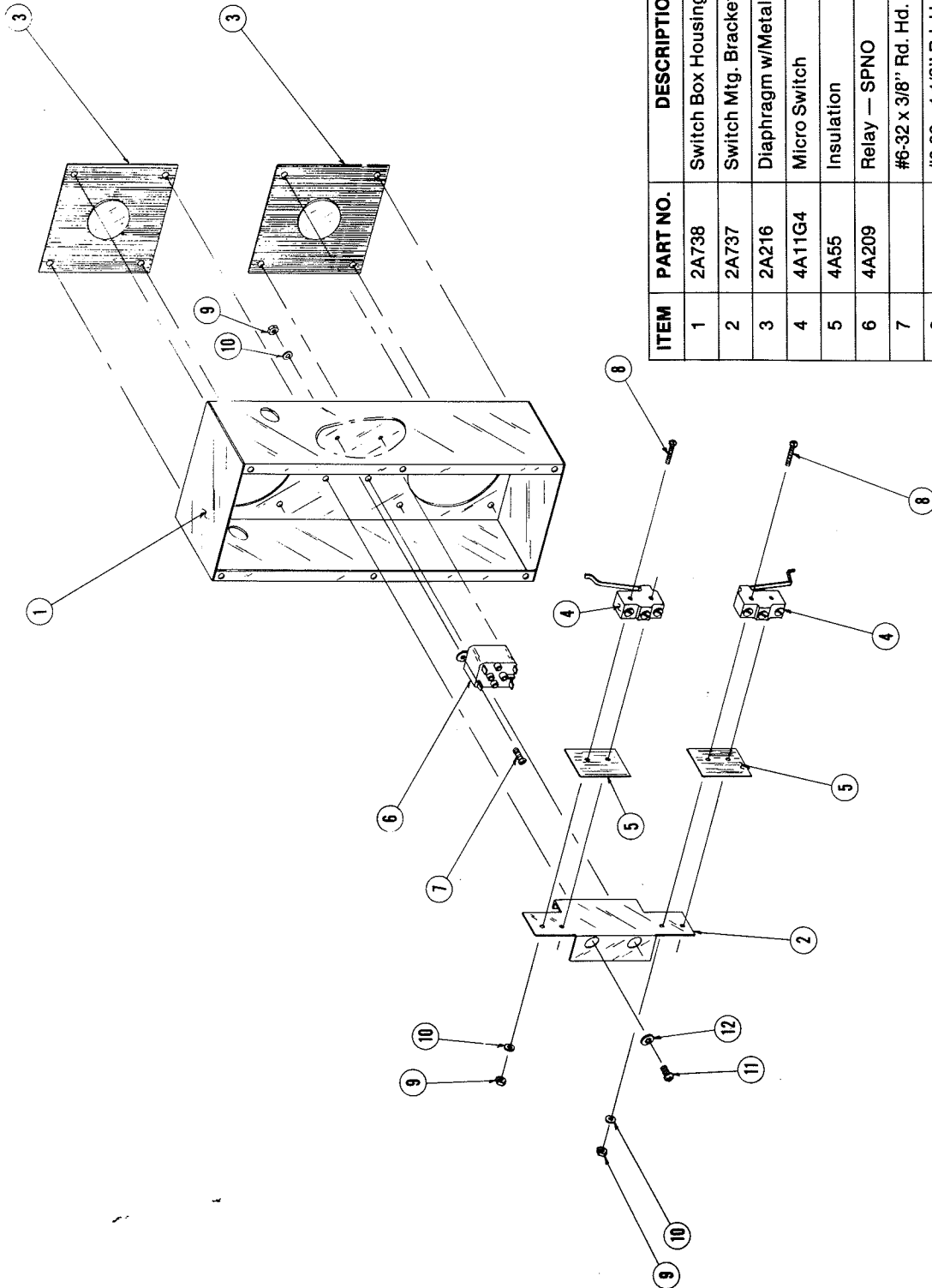


**30A28 PREMIXER CONTROL HOPPER (USED ON EITHER
OUTSIDE COMPARTMENT)**

ITEM	PART NO.	DESCRIPTION	QTY.
1	2A732	Hopper Housing	1
2	2A733	Hinged Cover Assy.	1
3	10A56	Switch Box Sub Assy. (see page 2-7)	1
4	2A734	Cover - switch Box	1
5	2A735	Hole Cover Plate	1
6	2A736	Cover - Front	1
7	4A173	Light - Amber 115 V.	1
8	4A180	Terminal Block - 4 Terminal	1
9	4A192	Rocker Switch SPST	1
10	10A57G1	Wire Harness	1
11	4A169G1	Hole Plug (1/2" Conduit)	AR
12	9A49	Label - Warning	1
13	9A50	Decal - Modern Mill	1
14	9A69	Decal - Ground	1
15	9A210	Decal - On-Off	1
16	9A211	Decal - 115 V. Power	1
17	9A213	Decal - Terminal Block	1

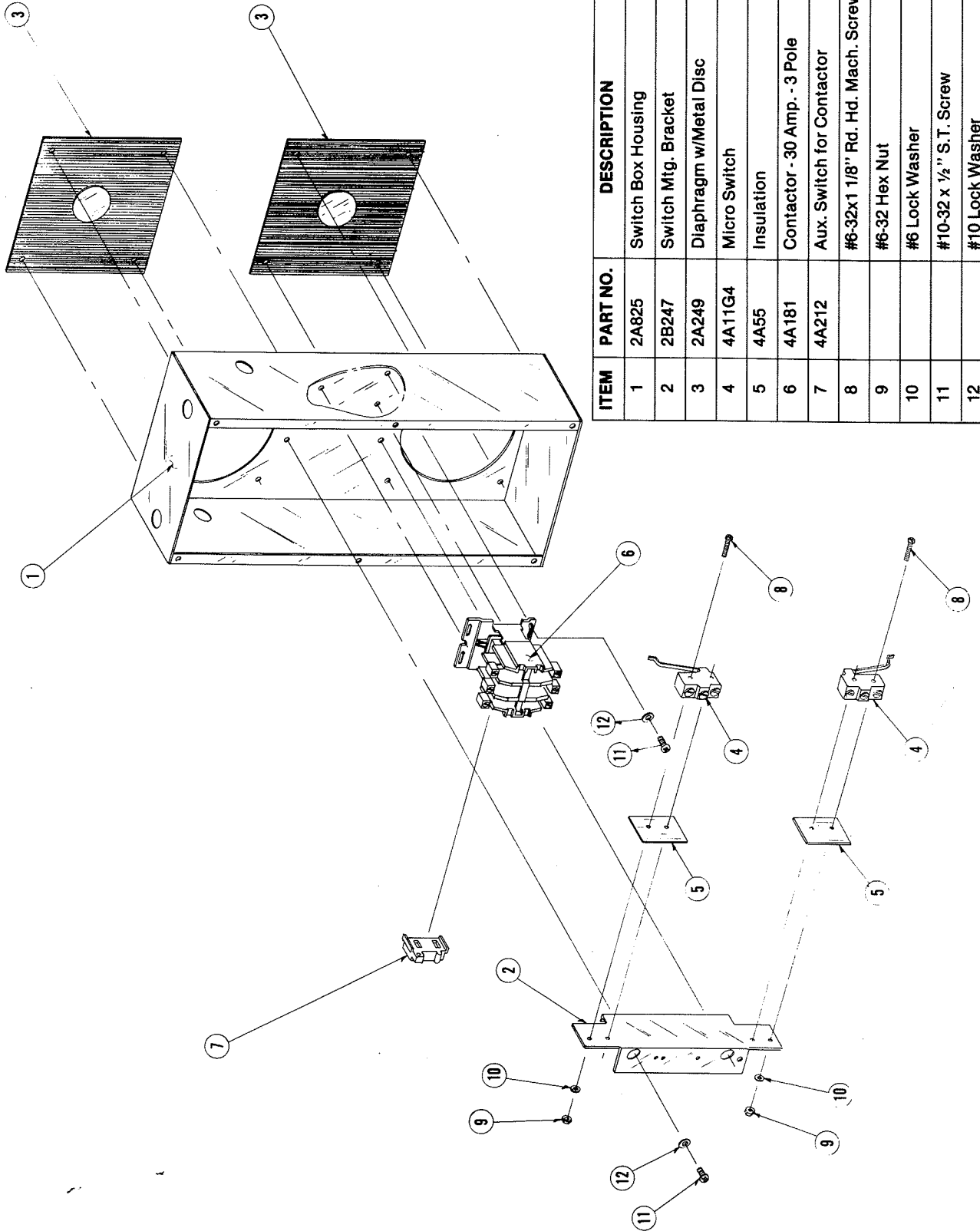
ITEM	PART NO.	DESCRIPTION	QTY.
18	9A235	Decal - 30A28 Control Hopper Wiring	1
19	9A238	Decal - Identification	1
20	9A53	Sealing Tape	AR
21		#8-32 x 1/2" S.T. Pan Hd. Screw	2
22		#8-32 x 3/4" Rd. Hd. Mach. Screw	1
23		#8-32 Hex Nut	2
24		#8 Flat Washer	2
25		#8 Lock Washer	1
26		#10-32 x 1/2" S.T. Screw	28
27		#10 Lock Washer	28
28		#10 Flat Washer	2
29		1/4" - 20 x 1/2" S.T. Screw	2
30		1/4" - 20 x 1/2" Hex Hd. Cap Screw	2
31		1/4"-20 Hex Nut	3
32		1/4"-20 Wing Nut	2
33		1/4" Lock Washer	5

SWITCH BOX SUB-ASSEMBLY (FOR 30A28 CONTROL HOPPER)



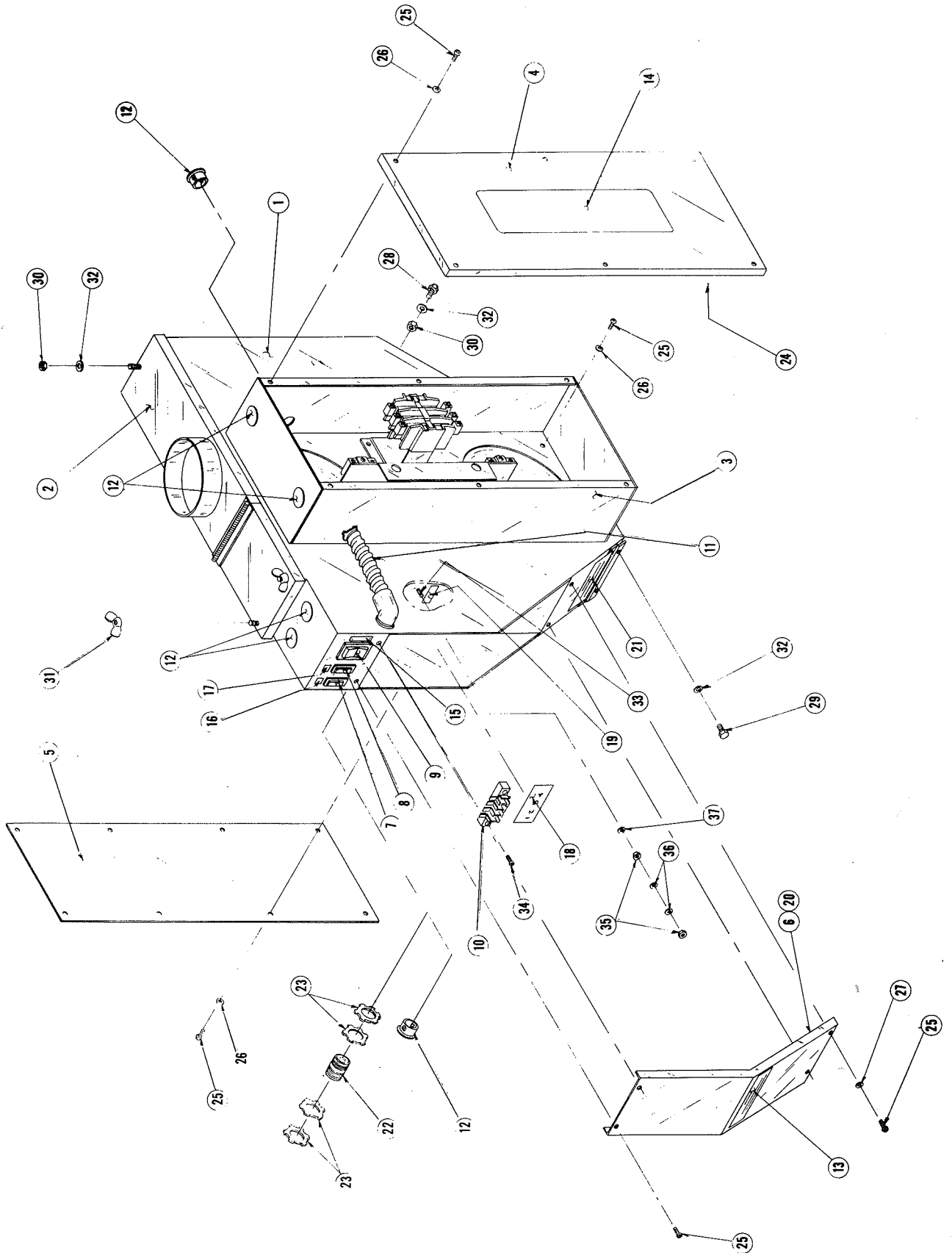
ITEM	PART NO.	DESCRIPTION	QTY.
1	2A738	Switch Box Housing	1
2	2A737	Switch Mtg. Bracket	1
3	2A216	Diaphragm w/Metal Disc	2
4	4A11G4	Micro Switch	2
5	4A55	Insulation	2
6	4A209	Relay — SPNO	1
7		#6-32 x 3/8" Rd. Hd. Mach. Screw	2
8		#6-32 x 1/8" Rd. Hd. Mach. Screw	4
9		#6-32 Hex Nut	6
10		#6 Lock washer	6
11		#10-32 x 1/2" S.T. Pan Hd. Mach. Screw	2
12		#10 Lock Washer	2

SWITCH BOX SUB-ASSEMBLY (FOR 30A29 CONTROL HOPPER)



ITEM	PART NO.	DESCRIPTION	QTY.
1	2A825	Switch Box Housing	1
2	2B247	Switch Mtg. Bracket	1
3	2A249	Diaphragm w/Metal Disc	2
4	4A11G4	Micro Switch	2
5	4A55	Insulation	2
6	4A181	Contactor - 30 Amp. - 3 Pole	1
7	4A212	Aux. Switch for Contactor	1
8		#6-32x1 1/8" Rd. Hd. Mach. Screw	4
9		#6-32 Hex Nut	4
10		#6 Lock Washer	4
11		#10-32 x 1/2" S.T. Screw	5
12		#10 Lock Washer	5

**30A29 CONTROL HOPPER (USED ON EITHER OUTSIDE COMPARTMENT
TO CONTROL AN AUGER MOTOR)**

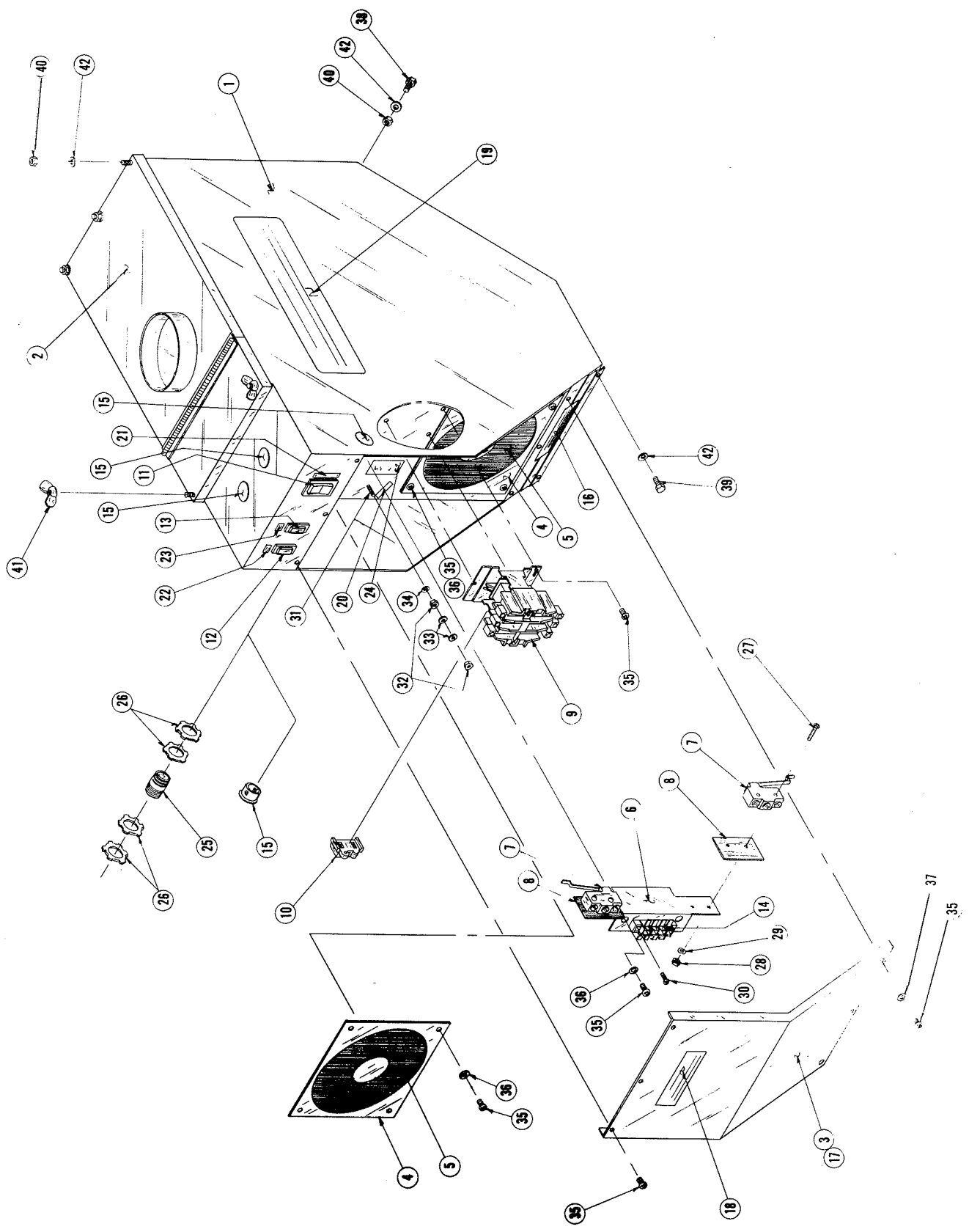


30A29 CONTROL HOPPER (USED ON EITHER OUTSIDE COMPARTMENT TO CONTROL AN AUGER MOTOR)

ITEM	PART NO.	DESCRIPTION	QTY.
1	2A739	Hopper (Welded Housing)	1
2	2A733	Hinged Cover Assy.	1
3	10A58	Switch Box Sub Assy. (See Page 2-8)	1
4	2A248	Cover - Switch Box	1
5	2A548	Hole Cover Plate	1
6	2A740	Switch Cover - Front	1
7	4A173	Light - Amber 115 V.	1
8	4A174	Light - Amber 230 V.	1
9	4A192	Rocker Switch	1
10	4A180	Terminal Block - 4 Terminal	1
11	10A57G2	Wire Harness	1
12	4A169G1	Hole Plug (1/2 Conduit)	AR
13	9A49	Label - Warning	1
14	9A50	Decal - Modern Mill	1
15	9A210	Decal - On-Off	1
16	9A211	Decal - 115 V. Power	1
17	9A212	Decal - 230 V. Power	1
18	9A213	Decal - Terminal Block	1
19	9A69	Decal - Ground	1

ITEM	PART NO.	DESCRIPTION	QTY.
20	9A234	Decal - Control Hopper Wiring	1
21	9A238	Decal - Identification	1
24	4A58	1/2" Close Pipe Nipple	1
23	4A59	1/2" Locknut - Pipe	4
24	9A53	Sealing Tape	AR
25		#10-32 x 1/2" S.T. Screw	28
26		#10 Lock Washer	28
27		#10 Flat Washer	2
28		1/4" - 20 x 1/2" Hex Hd. Cap Screw	2
29		1/4" - 20 x 1/2" S.T. Mach. Screw	2
30		1/4" - 20 Hex Nut	3
31		1/4" - 20 Wing Nut	2
32		1/4" Lock Washer	5
33		#8-32 x 3/4" Rd. Hd. Mach. Screw	1
34		#8 - 32 x 1/2" S.T. Pan Hd. Screw	2
35		#8-32 Hex Nut	2
36		#8 Flat Washer	2
37		#8 Lock Washer	1

**30A30 CONTROL HOPPER (USED ON (1) 6" OR (2) 4" METERING AUGERS)
 30A31 CONTROL HOPPER (USED ON (1) 6" AND (1) 4" METERING AUGER)**

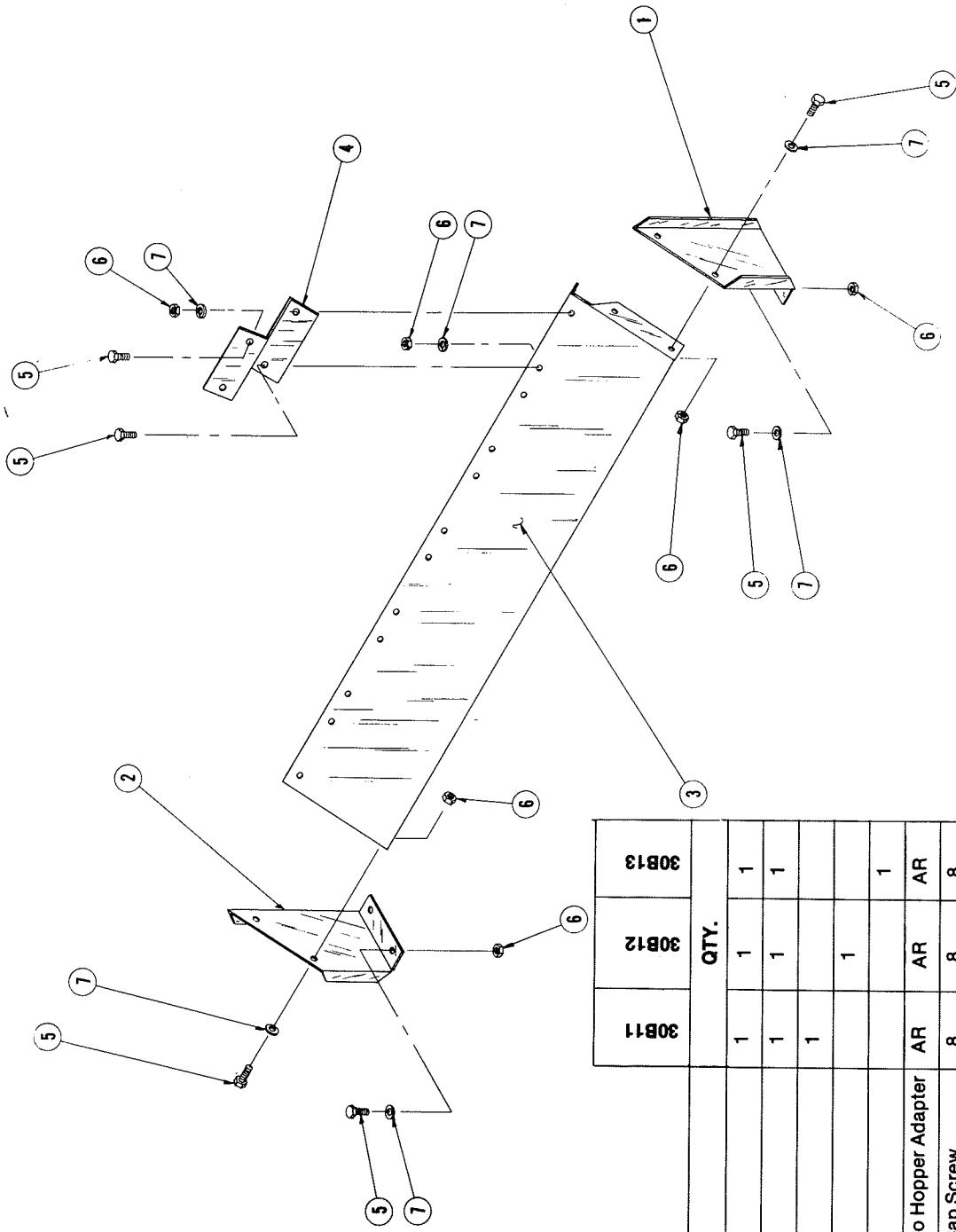


**30A30 CONTROL HOPPER (USED ON (1) 6" OR (2) 4" METERING AUGERS)
30A31 CONTROL HOPPER (USED ON (1) 6" AND (1) 4" METERING AUGER)**

ITEM	PART NO.	DESCRIPTION	QTY.	
			30A30	30A31
1	2A727	Hopper Assy. (Housing)	1	
	2A730	Hopper Assy. (Housing)		1
2	2A554	Hinged Cover Assy.	1	
	2A824	Hinged Cover Assy.		1
3	2A728	Switch Cover	1	
	2A731	Switch Cover		1
4	2A930	Back Up Plate w/Diaphragm	2	2
5	2A636	Diaphragm only w/Metal Disc	2	2
6	2A729	Switch Mtg. Bracket	1	1
7	4A11G4	Micro Switch	2	2
8	4A55	Insulation	2	2
9	4A181	Contact - 30 Amp. - 3 Pole	1	1
10	4A212	Aux. Switch for Contactor	1	1
11	4A192	Rocker Switch - SPST	1	1
12	4A173	Light - Amber 115 V.	1	1
13	4A174	Light - Amber 230 V.	1	1
14	4A180	Terminal Block	1	1
15	4A169G1	Hole Plug	AR	AR
16	9A238	Decal - Identification	1	1
17	9A234	Decal - Control Hopper Wiring	1	1
18	9A49	Label - Warning	1	1
19	9A50	Decal - Modern Mill	1	1
20	9A69	Decal - Ground	1	1
21	9A210	Decal - On-Off	1	1
22	9A211	Decal - 115 V. Power	1	1

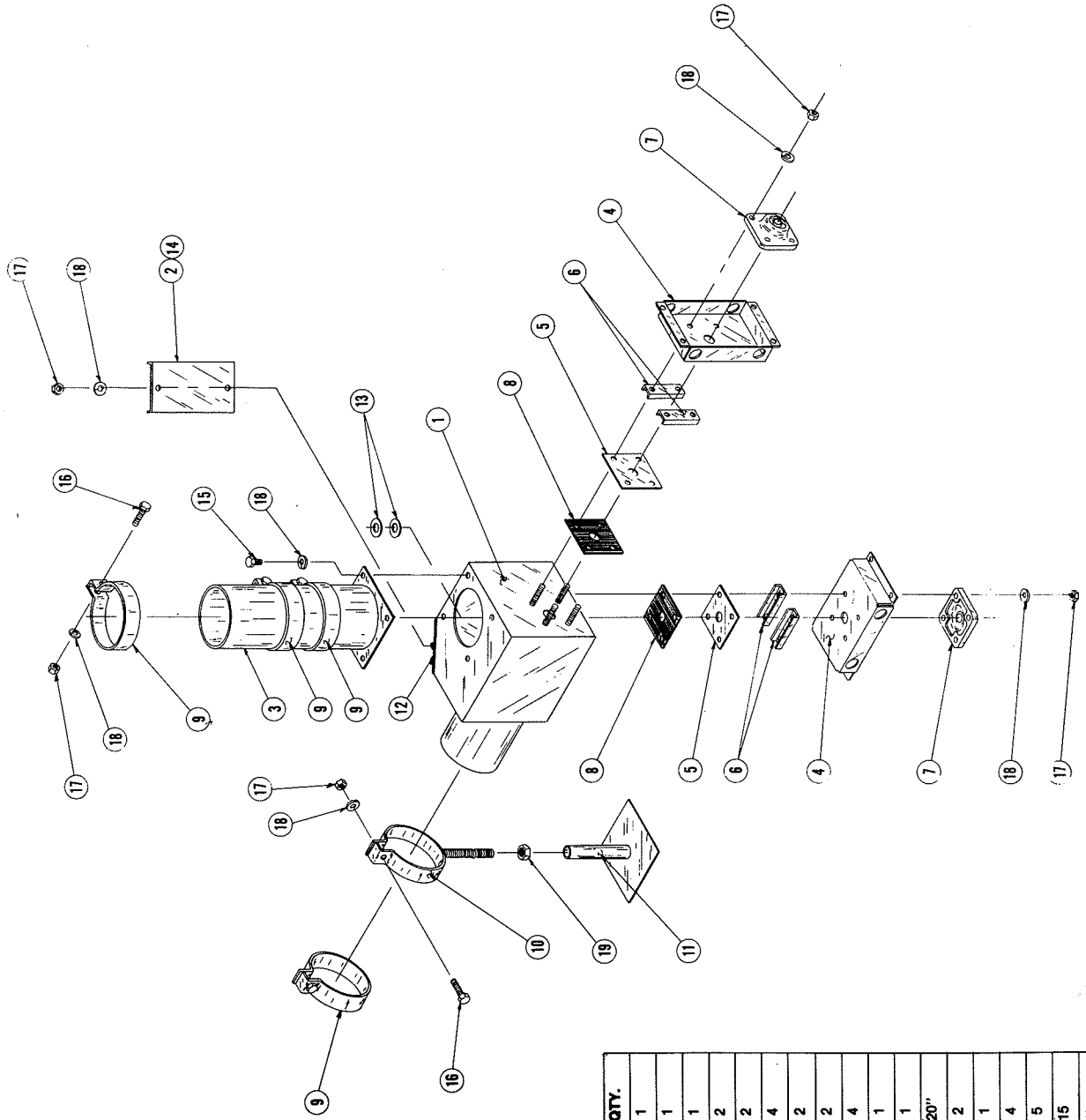
ITEM	PART NO.	DESCRIPTION	QTY.	
			30A30	30A31
23	9A212	Decal - 230 V. Power	1	1
24	9A213	Decal - Terminal Block	1	1
25	4A58	1/2" Close Pipe Nipple	1	1
26	4A59	1/2" Lock Nut - Pipe	4	4
27		#6-32 x 1 1/8" Rd. Hd. Mach. Screw	4	4
28		#6-32 Hex Nut	4	4
29		#6 Lock Washer	4	4
30		#8-32 x 1/2" S.T. Screw	2	2
31		#8-32 x 3/4" Rd. Hd. Mach. Screw	1	1
32		#8-32 Hex Nut	2	2
33		#8 Flat Washer	2	2
34		#8 Lock Washer	1	1
35		#10-32 x 1/2" S.T. Pan Hd. Screw	19	19
36		#10 Lock Washer	19	19
37		#10 Flat Washer	3	3
38		1/4" x 20 x 1/2" Hex Hd. Cap Screw	2	
		1/4" x 20 x 1/2" Hex Hd. Cap Screw		4
39		1/4" - 20 x 1/2" Hex Hd. S.T. Screw	2	
		1/4" - 20 x 1/2" Hex Hd. S.T. Screw		4
40		1/4" - 20 Hex Nut	5	
		1/4" - 20 Hex Nut		7
41		1/4" - 20 Wing Nut	2	
		1/4" - 20 Wing Nut		4
42		1/4" Lock Washer	7	
		1/4" Lock Washer		11

CONTROL HOPPER SUPPORT FRAMES
30B11 — FULL WIDTH
30B12 — FOR (2) 4" AND (1) 6" HOPPER
30B13 — FOR (2) 4" OR (1) 6" HOPPER



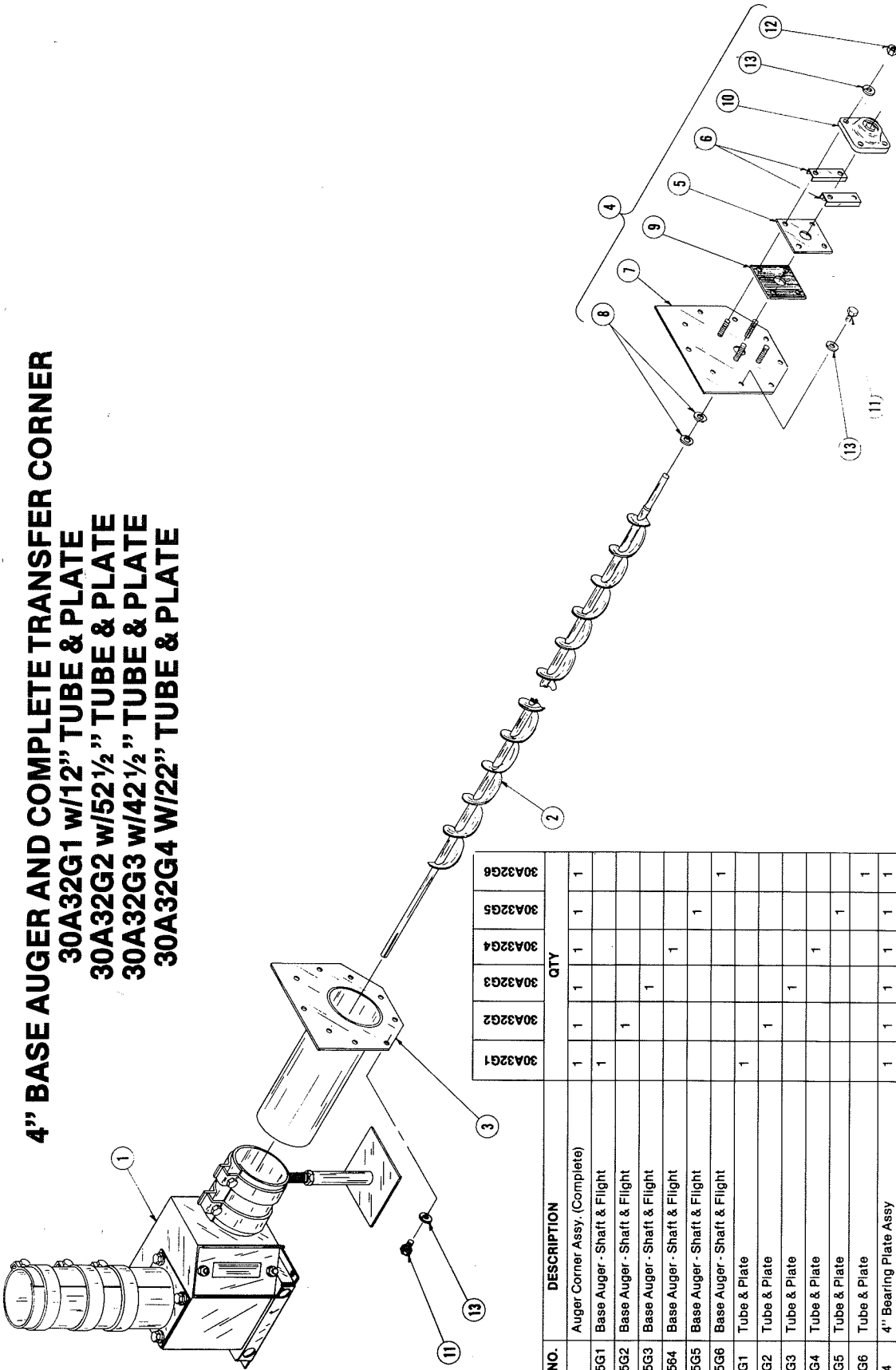
ITEM	PART NO.	DESCRIPTION	30B11	30B12	30B13
1	2A535G1	End Bracket — R.H.	1	1	1
2	2A535G2	End Bracket — L.H.	1	1	1
3	2A538	Hopper Mtg. Bracket	1		
	2A537	Hopper Mtg. Bracket		1	
	2A536	Hopper Mtg. Bracket			1
4	2A112G1	Bracket - Premix or Micro Hopper Adapter	AR	AR	AR
5		1/4" - 20 x 1/2" Hex Hd. Cap Screw	8	8	8
6		1/4" - 20 Hex Nut	4	6	8
7		1/4" Lock Washer	8	8	8
				QTY.	

4" TRANSFER CORNER COMPONENTS



ITEM	PART NO.	DESCRIPTION	QTY.
1	2A748	Housing	1
2	2A754	Cover Plate w/Decal	1
3	2A50	Tube & Plate Assy.	1
4	2A888	Motor Mtg. Plate	2
5	2A889	Mtg. Plate - Bearing	2
6	2A870	Mtg. Channel - Bearing	4
7	7A27	5/8" Flange Bearing	2
8	9A198	Bearing Seal	2
9	2B51	Clamp - 4"	4
10	2A52	Clamp w/Stud	1
11	2A48	Foot Support	1
12	9A53	Sealing Tape	20"
13	7A17	Spacer Washer	2
14	9A49	Decal - Warning	1
15		5/16" - 18 x 3/4" Hex Hd. Cap Screw	4
16		5/16" - 18 x 1/2" Hex Hd. Cap Screw	5
17		5/16" - 18 Hex Nut	15
18		5/16" Lock washer	19
19		5/8" - 11 Hex Nut	1

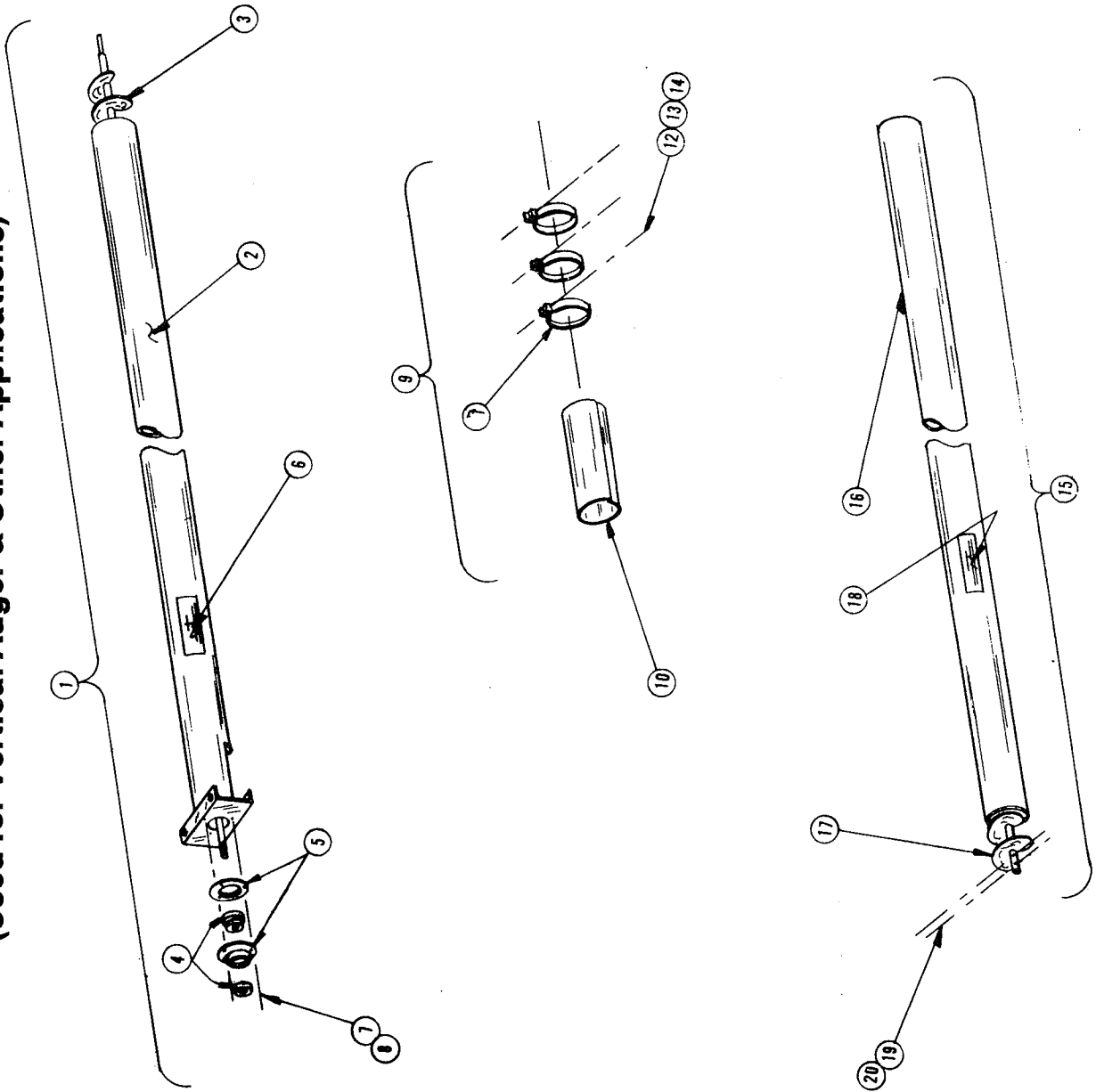
4" BASE AUGER AND COMPLETE TRANSFER CORNER
30A32G1 W/12" TUBE & PLATE
30A32G2 W/52 1/2" TUBE & PLATE
30A32G3 W/42 1/2" TUBE & PLATE
30A32G4 W/22" TUBE & PLATE



ITEM	PART NO.	DESCRIPTION	QTY				
1	10A64	Auger Corner Assy. (Complete)	1	1	1	1	1
	10A125G1	Base Auger - Shaft & Flight	1				
	10A125G2	Base Auger - Shaft & Flight	1				
2*	10A125G3	Base Auger - Shaft & Flight		1			
	10A125G4	Base Auger - Shaft & Flight			1		
	10A125G5	Base Auger - Shaft & Flight				1	
	10A125G6	Base Auger - Shaft & Flight					1
	2A757G1	Tube & Plate	1				
	2A757G2	Tube & Plate		1			
	2A757G3	Tube & Plate			1		
3*	2A757G4	Tube & Plate				1	
	2A757G5	Tube & Plate					1
	2A757G6	Tube & Plate					1
4	10A124	4" Bearing Plate Assy	1	1	1	1	1
5	2A869	Mtg. Plate - Bearing	1	1	1	1	1
6	2A870	Mtg. Channel - Bearing	2	2	2	2	2
7	2A756	Bearing Plate w/Studs	1	1	1	1	1
8	7A17	Spacer Washer	2	2	2	2	2
9	9A199	Bearing Seal	1	1	1	1	1
10	7A27	Bearing - 5/8"	1	1	1	1	1
11		5/16" - 18 x 3/4" Hex Hd. Cap Screw	18	18	18	18	18
12		5/16" - 18 Hex Nut	4	4	4	4	4
13		5/16" Lock Washer	22	22	22	22	22

*For special lengths contact factory

4" G.P. AUGER, TUBE SPLICE, & EXTENSION AUGER
 (Used for Vertical Auger & Other Applications)

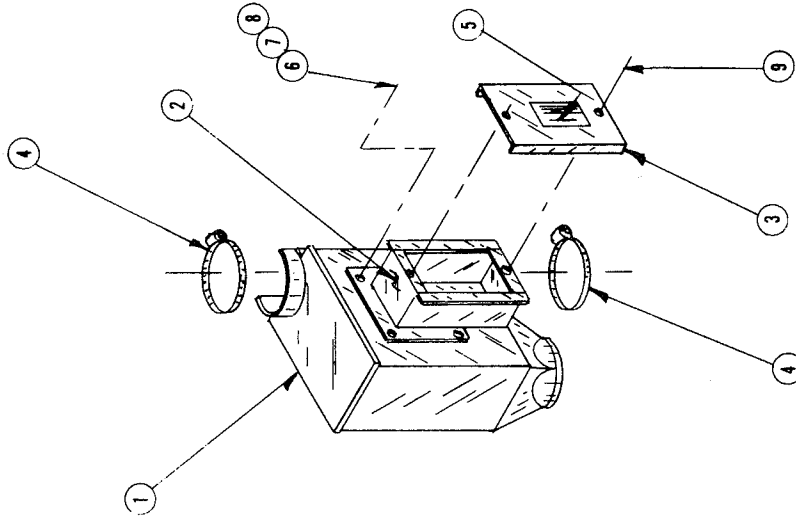
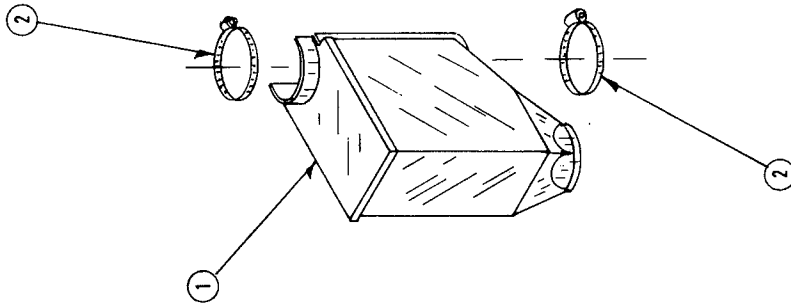


4" H.P. AUGER, TUBE SPLICE, & EXTENSION AUGER

ITEM	PART #	DESCRIPTION	QTY.
1	20B142	5' x 4" G.P. Head Plate Section	
	20B100	10' x 4" G.P. Head Plate Section	
	20B101	15' x 4" G.P. Head Plate Section	
	20B102	20' x 4" G.P. Head Plate Section	
2	2A78G1	Tube & Plate — 20'	
	2A78G2	Tube & Plate — 15'	
	2A78G3	Tube & Plate — 10'	1
	2A78G5	Tube & Plate — 5'	
3	2B79G1	Flight & Shaft — 20'	
	2B79G2	Flight & Shaft — 15'	
	2B79G3	Flight & Shaft — 10'	1
4	2B79G4	Flight & Shaft — 5'	
	7A13	Bearing & Collar	1
5	7A11	Bearing Flange	2
6	9A50	Decal — Modern Mill	1
7		1/4"-20 x 1/2" Hex Hd. Self Tap. Screw	3
8		1/4" Lock Washer	3
ITEM	PART #	DESCRIPTION	QTY.
9	20A106	4" Tube Splice - Complete	
10	1A32G6	Rolled Sleeve	1
11	2B51	Clamp	3
12		5/16"-18 x 1 1/2" Hex Head Cap Screw	3
13		5/16" Lock Washer	3
14		5/16"-18 Hex Nut	3

ITEM	PART #	DESCRIPTION	QTY.
15	20B130	5' Extension Section — Complete	
	20B103	10' Extension Section — Complete	
	20B104	15' Extension Section — Complete	
	20B105	20' Extension Section — Complete	
16	9A25G1	Tube — 10'	
	9A25G2	Tube — 15'	
	9A25G3	Tube — 20'	1
	9A25G4	Tube — 5'	
17	2B80G1	Flight & Shaft — 20'	
	2B80G2	Flight & Shaft — 15'	
	2B80G3	Flight & Shaft — 10'	1
	2B80G4	Flight & Shaft — 5'	
18	9A50	Decal — Modern Mill	1
19		1/4"-20 x 1 1/2" Hex Head Cap Screw	2
20		1/4"-20 Hex Lock Nut	2

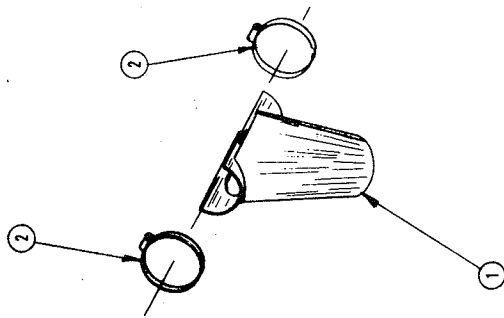
0° (VERTICAL) OUTLETS FOR 4" AUGERS



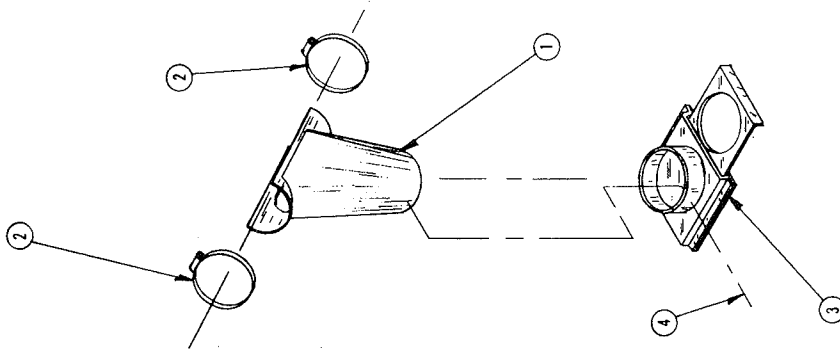
ITEM	PART #	DESCRIPTION	QTY.
	20A185	0° Outlet without Switch	
1	2A68G1	0° Outlet - Body	1
2	20A127	4" Hose Clamp	2

ITEM	PART #	DESCRIPTION	QTY.
	20A186	0° Outlet with Switch	
1	2A68G2	0° Outlet - Body	1
2	2A187	Switch Sub. Assy. - See Index	1
3	2A882	Switch Cover	1
4	20A127	4" Hose Clamp	2
5	9A49	Warning Decal	1
6		#8-32 x 1/2" Round Head Machine Screw	4
7		#8 Split Lock Washer	4
8		#8 Hex Nut	4
9		#8-32 x 3/8" S.T. "Type A" Pan Phil. Hd. Screw	2

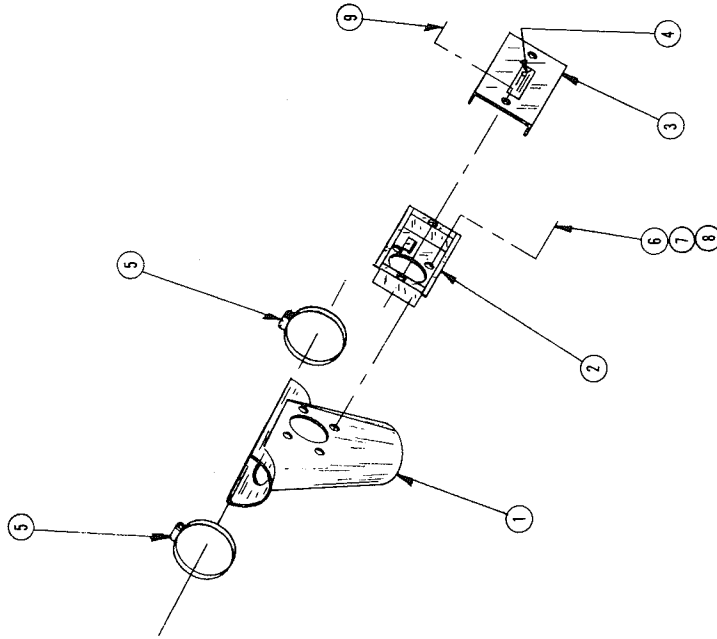
45° OUTLETS FOR 4" AUGERS



ITEM	PART #	DESCRIPTION	QTY.
	20A145	45° Outlet Assy. w/(Clamps)	
1	2A102	45° Outlet Body	1
2	20A127	Hose Clamp	2

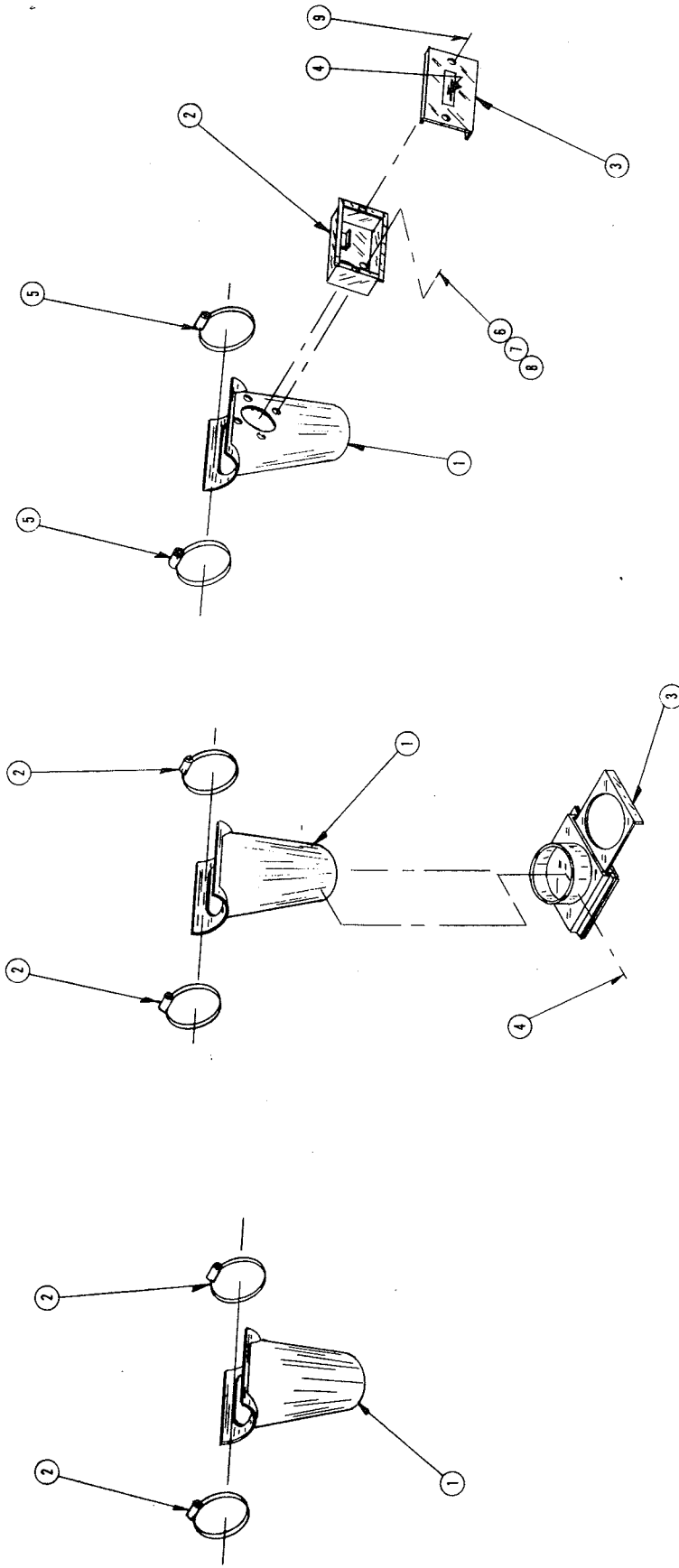


ITEM	PART #	DESCRIPTION	QTY
	20A146	45° Outlet Assy. w/Slide Valve	
1	2A102	45° Outlet Body	1
2	20A127	Hose Clamp	2
3	20A119	Slide Valve	1
4		#6 x 3/8" Self-Drilling, Sheet Metal Screw	4



ITEM	PART #	DESCRIPTION	QTY.
	20A147	45° Outlet Assy. w/Switch	
1	2A909	45° Outlet Body	1
2	2A186	Switch Sub Assy. - See Index	1
3	2A862	Switch Cover	1
4	9A49	Warning Decal	1
5	20A127	Hose Clamp	2
6		#8-32 x 1/2" Rd. Hd. Machine Screw	4
7		#8 Split Lock Washer	4
8		#8-32 Hex Nut	4
9		#8-32 x 3/8" Self Tapping Screw	2

60° OUTLETS FOR 4" AUGERS

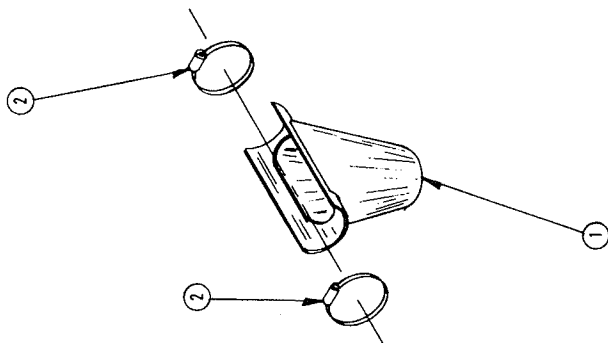


ITEM	PART #	DESCRIPTION	QTY.
	20A107	60° Outlet Assy. (w/Clamps)	
1	2A101	60° Outlet Body	1
2	20A127	Hose Clamp	2

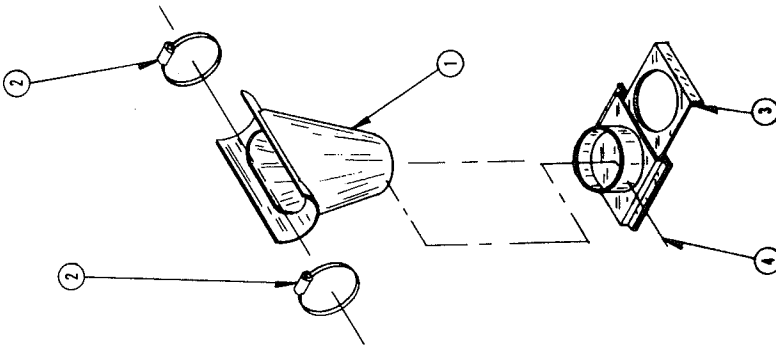
ITEM	PART #	DESCRIPTION	QTY.
	20A113	60° Outlet Assy. w/Slide Valve	
1	2A101	60° Outlet Body	1
2	20A127	Hose Clamp	2
3	20A119	Slide Valve	1
4		#6 x 3/8 Self Drilling Sheet Metal Screw	4

ITEM	PART #	DESCRIPTION	QTY.
	20A115	60° Outlet Assy. w/Switch	
1	2A910	60° Outlet Body w/Holes	1
2	2A186	Switch Sub Assy. - See Index	1
3	2A882	Switch Cover	1
4	9A49	Warning Decal	1
5	20A127	Hose Clamp	2
6		#8-32 x 1/2" Rd. Hd. Machine Screw	4
7		#8 Lock Washer	4
8		#8-32 Hex Nut	4
9		#8-32 x 3/8" Self Tapping Screw	2

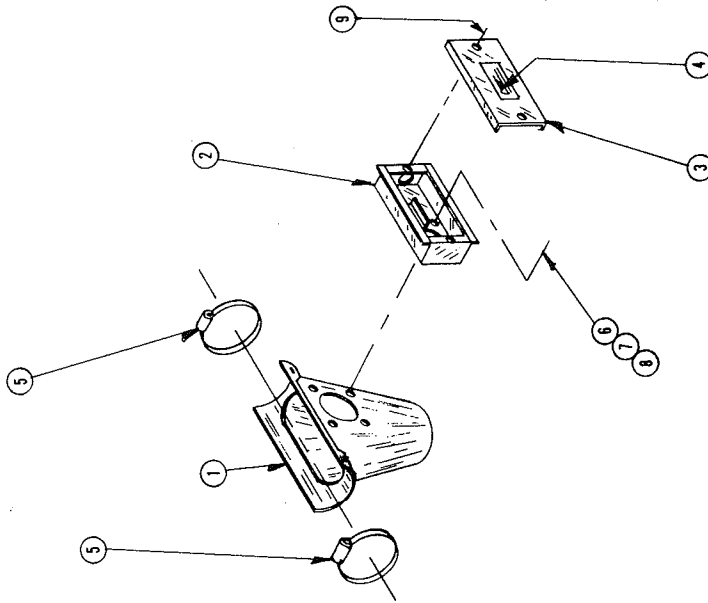
90° OUTLETS FOR 4" AUGERS



ITEM	PART #	DESCRIPTION	QTY.
	20A108	90° Outlet Assy. (w/Clamps)	
1	2A74	90° Outlet Body	1
2	20A127	Hose Clamp	2

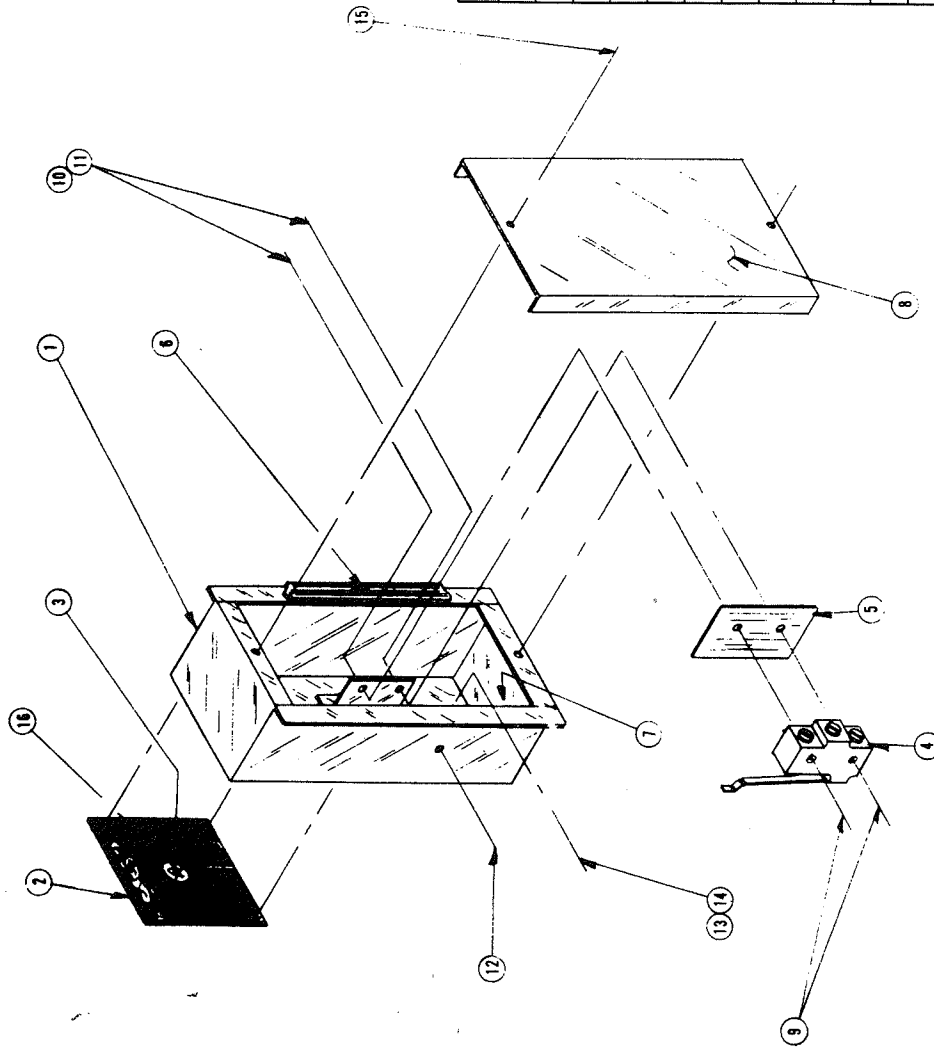


ITEM	PART #	DESCRIPTION	QTY.
	20A112	90° Outlet Assy. w/Slide Valve	
1	2A74	90° Outlet Body	1
2	20A127	Hose Clamp	2
3	20A119	Slide Valve	1
4		#6-3/8" Self-Drilling Sheet Metal Screw	4



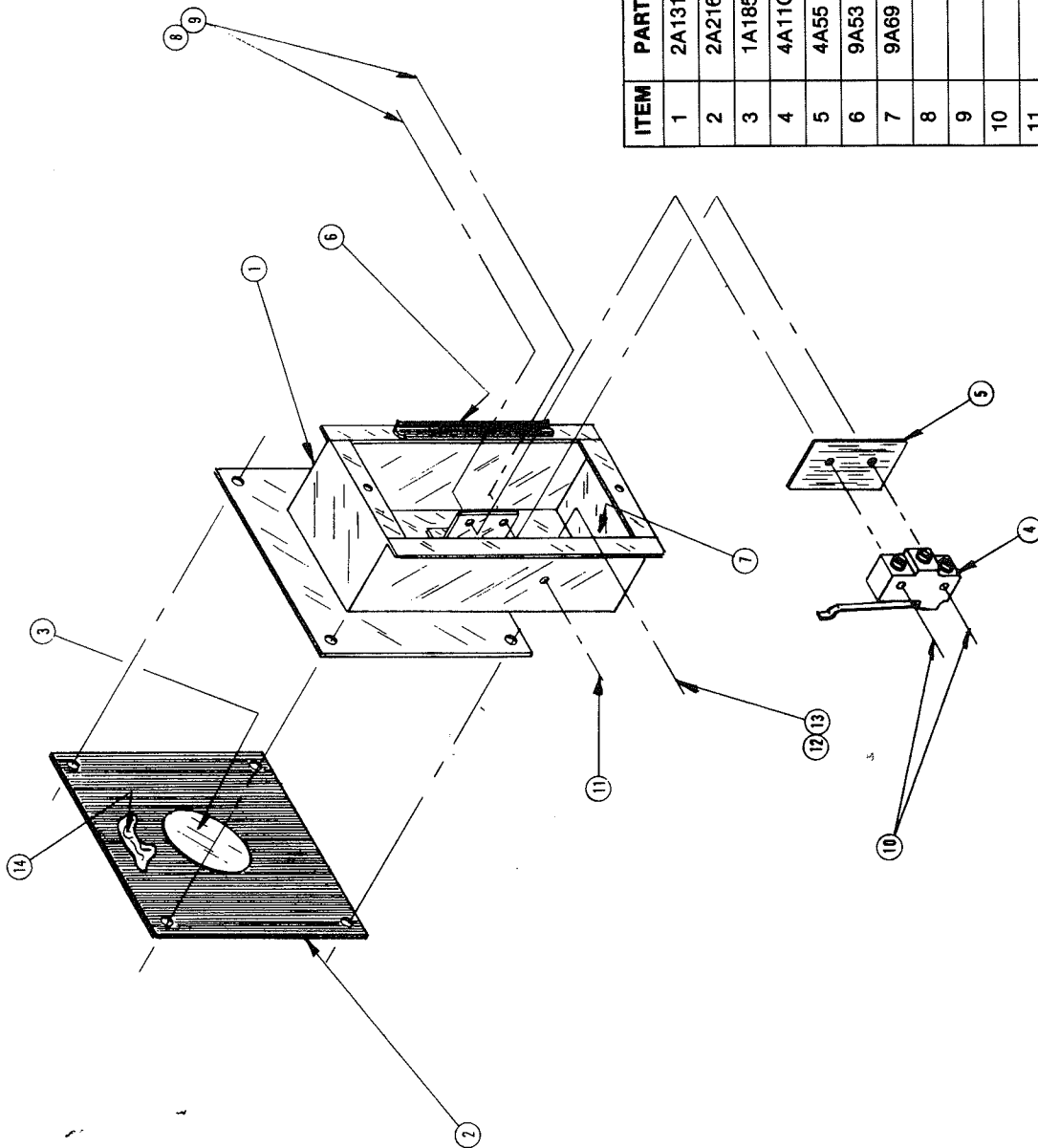
ITEM	PART #	DESCRIPTION	QTY.
	20A114	90° Outlet Assy. w/Switch	
1	2A911	90° Outlet w/Holes	1
2	2A1186	Switch Sub Assy. - See Index	1
3	2A882	Switch Cover	1
4	9A49	Warning Decal	1
5	20A127	Hose Clamps	2
6		#8-32 x 1/2" Rd. Hd. Machine Screw	4
7		#8 Lock Washer	4
8		#8-32 Hex Nut	4
9		#8-32 x 3/8" Self-Tapping Screw	2

2A186 SWITCH SUB ASSEMBLY
 (Used on 45°, 60°, & 90° Outlets)



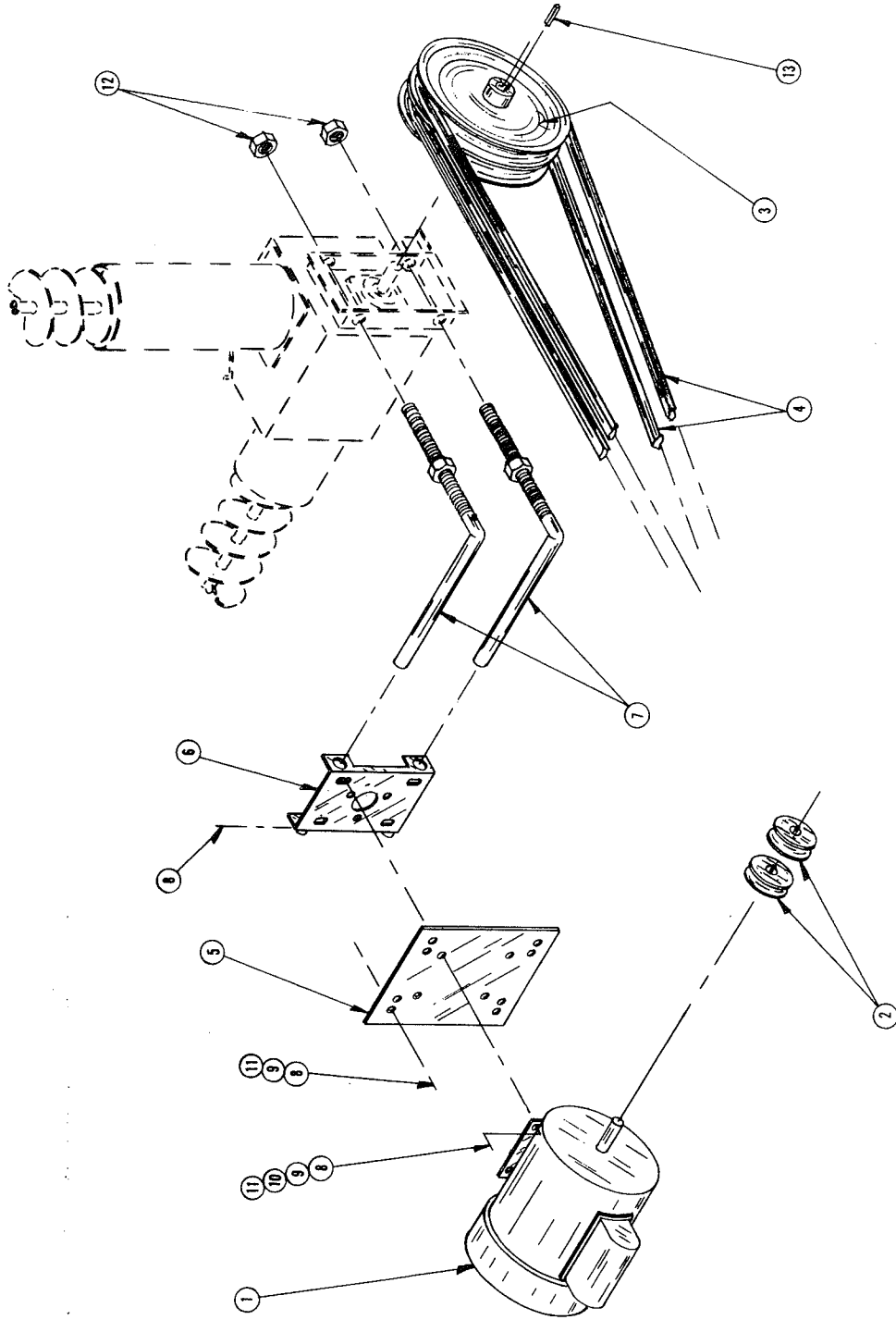
ITEM	PART #	DESCRIPTION	QTY.
	2A186G1	Switch Sub Assy. - Less 2A882 Cover	
	2A186G2	Switch Sub Assy. - w/2A882 Cover	
1	2A99	Switch Box	1
2	2A215	Diaphragm - 3" x 3" w/Disc	1
3	1A278	Disc - 1/2" Dia.	1
4	4A11G3	Micro Switch	1
5	4A55	Insulation Strip	1
6	9A53	Sealing Tape	20"
7	9A69	Decal - Ground	1
8	2A882	Cover	1
9		#6-32 x 1-1/8" Rd. Hd. Machine Screw	2
10		#6-32 Hex Nut	2
11		#6 Ext. Lock washer	2
12		#8-32 x 1/2" Rd. Hd. Machine Screw	1
13		#8-32 Hex Nut	2
14		#8 Split Lock Washer	1
15		#8-32 x 3/8" S.T. Type "A" Phil. Hd. Screw	2
16		Industrial Adhesive	AR

2A187 SWITCH SUB ASSEMBLY (Used on 0° Outlets)



ITEM	PART #	DESCRIPTION	QTY.
1	2A131	Switch Box	1
2	2A216	5 1/2" Sq. Diaphragm w/Disc	1
3	1A185	Back Up Disc	1
4	4A11G3	Micro Switch	1
5	4A55	Insulation Strip	1
6	9A53	Sealing Tape	20"
7	9A69	Decal - Ground	1
8		#6 Ext. Lock Washer	2
9		#6-32 Hex Nut	2
10		#6-32 x 1-1/8" Rd. Hd. Machine Screw	2
11		#8-32 x 1/2" Rd. Hd. Machine Screw	1
12		#8 Split Lock Washer	1
13		#8-32 Hex Nut	2
14		Industrial Adhesive	AR

4" HORIZONTAL AUGER DRIVE KIT COMPONENTS

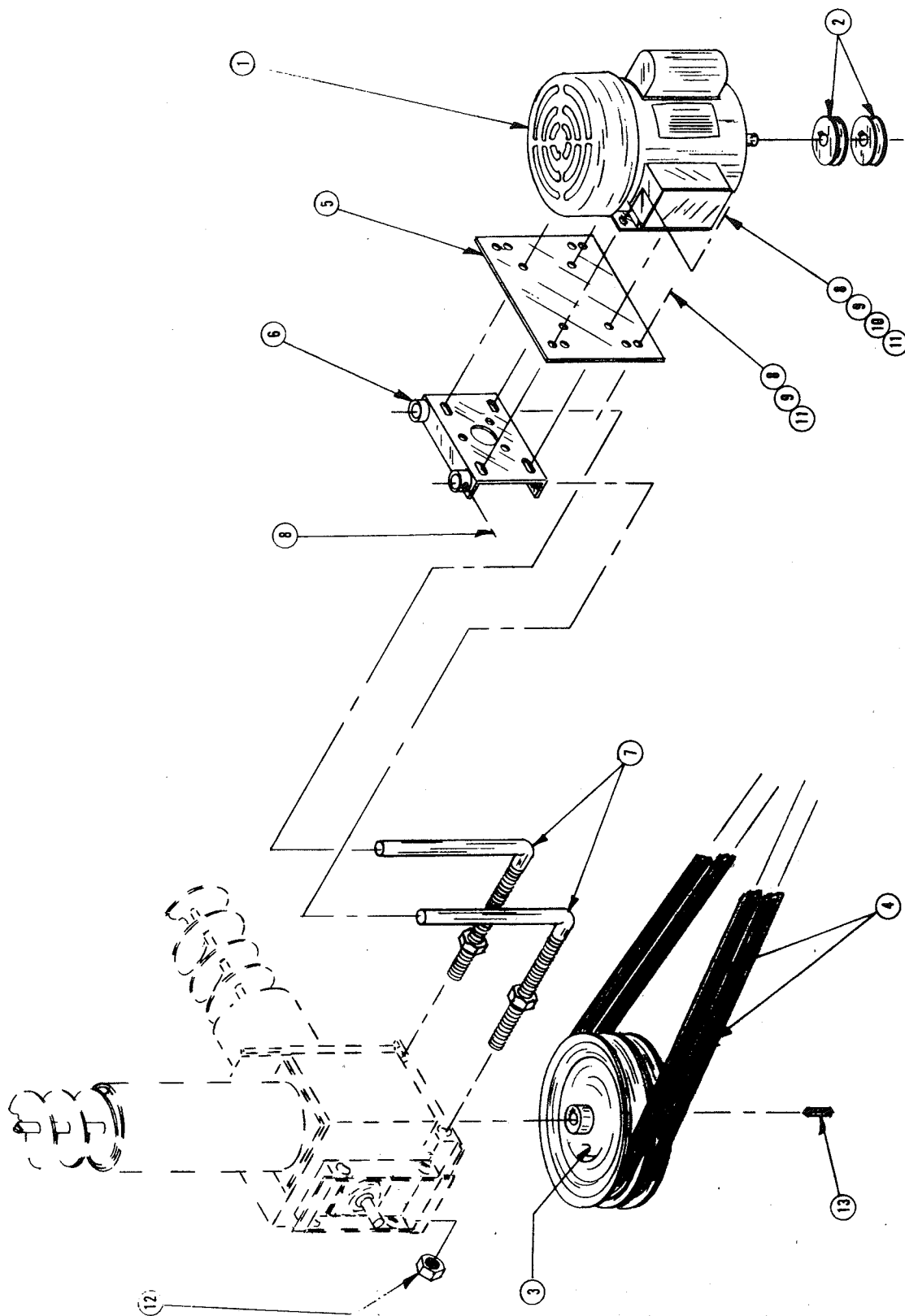


4" HORIZONTAL AUGER DRIVE KIT COMPONENTS

ITEM	PART #	DESCRIPTION	QTY.
1	3A120	1/2 H.P. 1Ø, 230 V, #56 Frame Motor	1
	3A121	3/4 H.P. 1Ø, 230 V, #56 Frame Motor	1
	3A122	1 H.P. 1Ø, 230 V, #56 Frame Motor	1
	3A123	1 1/2 H.P. 1Ø, 230 V, #56 Frame Motor	1
	3A124	2 H.P. 1Ø, 230 V, #182 Frame Motor	1
	3A125	3 H.P. 1Ø, 230 V, #184 Frame Motor	1
	3A19	1/2 H.P. 3Ø, 208-230/460 V, #56 (TENV) Frame Motor	1
	3A20	3/4 H.P. 3Ø, 208-230/460 V, #56 Frame Motor	1
	3A15	1 H.P. 3Ø, 208-230/460 V, #143T Frame Motor	1
	3A16	1 1/2 H.P. 3Ø, 208-230/460 V, #145T Frame Motor	1
	3A39	2 H.P. 3Ø, 208-230/460 V, #145T Frame Motor	1
	3A40	3 H.P. 3Ø, 208-230/460 V, #182T Frame Motor	1
	3A21	1/2 H.P. 3Ø, 575 V, #56 Frame Motor	1
	3A22	3/4 H.P. 3Ø, 575 V, #56 Frame Motor	1
	3A23	1 H.P. 3Ø, 575 V, #56 Frame Motor	1
	3A24	1 1/2 H.P. 3Ø, 575 V, #145T Frame Motor	1
3A45	2 H.P. 3Ø, 575 V, #145T Frame Motor	1	
3A46	3 H.P. 3Ø, 575 V, #182T Frame Motor	1	

ITEM	PART #	DESCRIPTION	QTY.
2	6A11	2" O.D. x 5/8" Bore V-Pulley	2
	6A18	2 1/4" O.D. x 7/8" Bore V-Pulley	2
	6A20	3" O.D. x 1-1/8" Bore V-Pulley	2
3	6A14	8" V-Pulley 2 Gr. - 5/8" Bore	1
4	5A3G2	4L370 37" V-Belt	2
	5A3G10	4L390 39" V-Belt	2
5	2A95G2	Adapter Plate Assy. w/Hdwe. Use on 182T & 184T Frame Motors Only	1
	2A95G1	Adapter Plate w/o Hdwe. Use on 182T & 184T Frame Motors Only	1
6	2A47G2	Motor Mtg. Plate w/Hdwe. Use on 182T, 184T, & 56 Frame Motors Only	1
	2A47G1	Motor Mtg. Plate w/o Hdwe. Use on 182T, 184T, & 56 Frame Motors Only	1
	2A204G2	Motor Mtg. Plate w/Hdwe. Use on 143 & 145T Frame Motors Only	1
7	2A204G1	Motor Mtg. Plate w/o Hdw. Use on 143 & 145T Frame Motors Only	1
	2A63G2	Motor Mtg. Rod w/Nuts	2
8	2A63G1	Motor Mtg. Rod w/o Nuts	2
9		5/16-18 x 3/4" Hex Head Cap Screw	10
10		5/16" Lock Washer	8
11		5/16" Flat Washer	4
12		5/16" - 18 Hex Nut	8
13		3/4"-10 Hex Nut	4
		3/16" Sq. x 1 1/2" Key	1

4" VERTICAL AUGER DRIVE KIT COMPONENTS

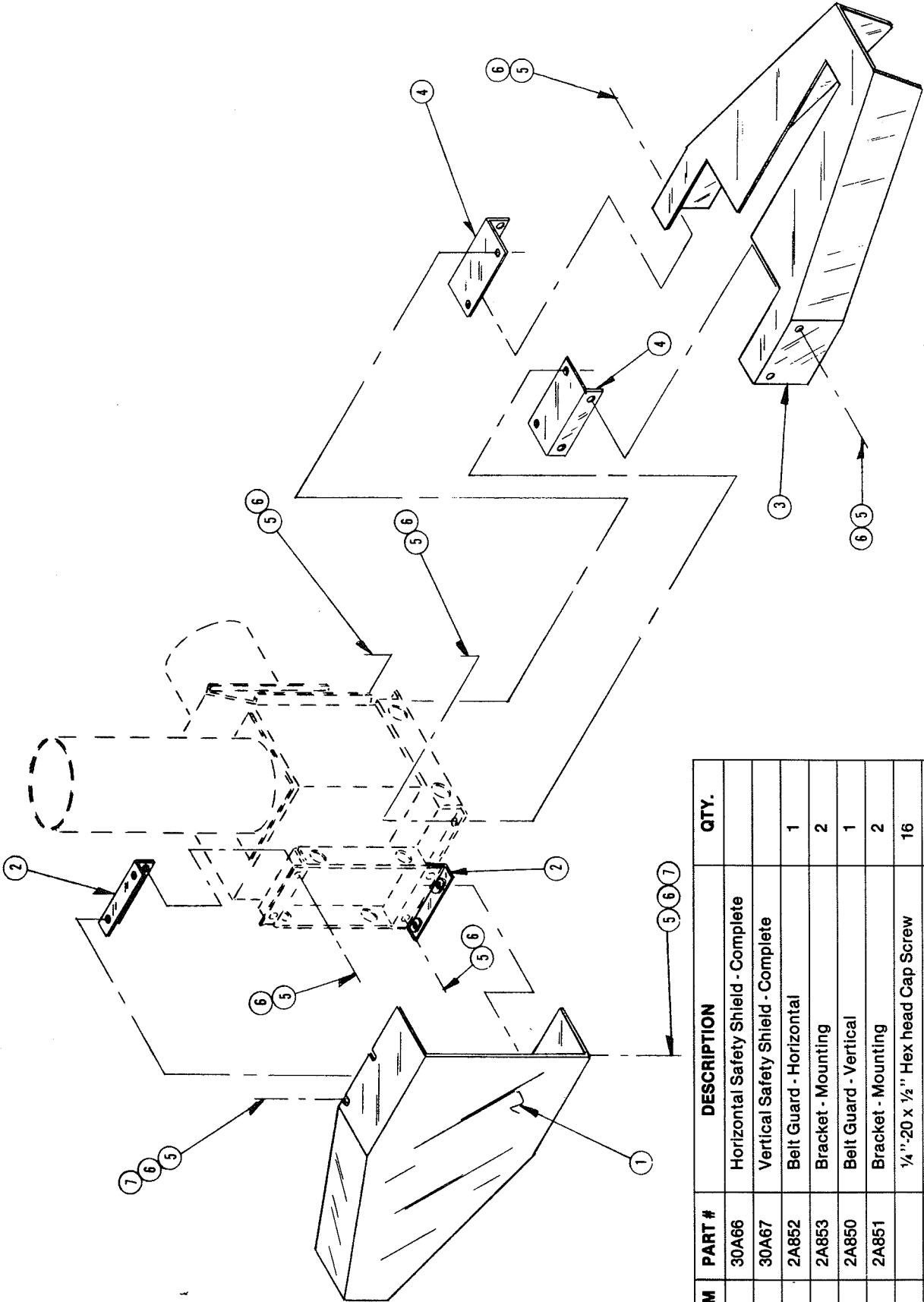


4" VERTICAL AUGER DRIVE KIT COMPONENTS

ITEM	PART #	DESCRIPTION	QTY.
1	3A120	1/2 H.P. 1Ø, 230 V, #56 Frame Motor	1
	3A121	3/4 H.P. 1Ø, 230V, #56 Frame Motor	1
	3A122	1 H.P. 1Ø, 230 V, #56 Frame Motor	1
	3A123	1 1/2 H.P. 1Ø, 230 V, #56 Frame Motor	1
	3A124	2 H.P. 1Ø, 230 V, #182T Frame Motor	1
	3A125	3 H.P. 1Ø, 230 V, #184T Frame Motor	1
	3A19	1/2 H.P. 3Ø, 208-230/460 V, #56 (TENV) Frame Motor	1
	3A20	3/4 H.P. 3Ø, 208-230/460 V, #56 Frame Motor	1
	3A16	1 1/2 H.P. 3Ø, 208-230/460 V, #145T Frame Motor	1
	3A39	2 H.P. 3Ø, 208-230/460 V, #145T Frame Motor	1
	3A40	3 H.P. 3Ø, 208-230/460 V, #182T Frame Motor	1
	3A21	1/2 H.P. 3Ø, 575 V, #56 Frame Motor	1
	3A22	3/4 H.P. 3Ø, 575 V, #56 Frame Motor	1
	3A23	2 H.P. 3Ø, 575 V, #56 Frame Motor	1
	3A24	1 1/2 H.P. 3Ø, 575 V, #145T Frame Motor	1
	3A45	2 H.P. 3Ø, 575 V, #145T Frame Motor	1
3A46	3 H.P. 3Ø, 575 V, #182T Frame Motor	1	

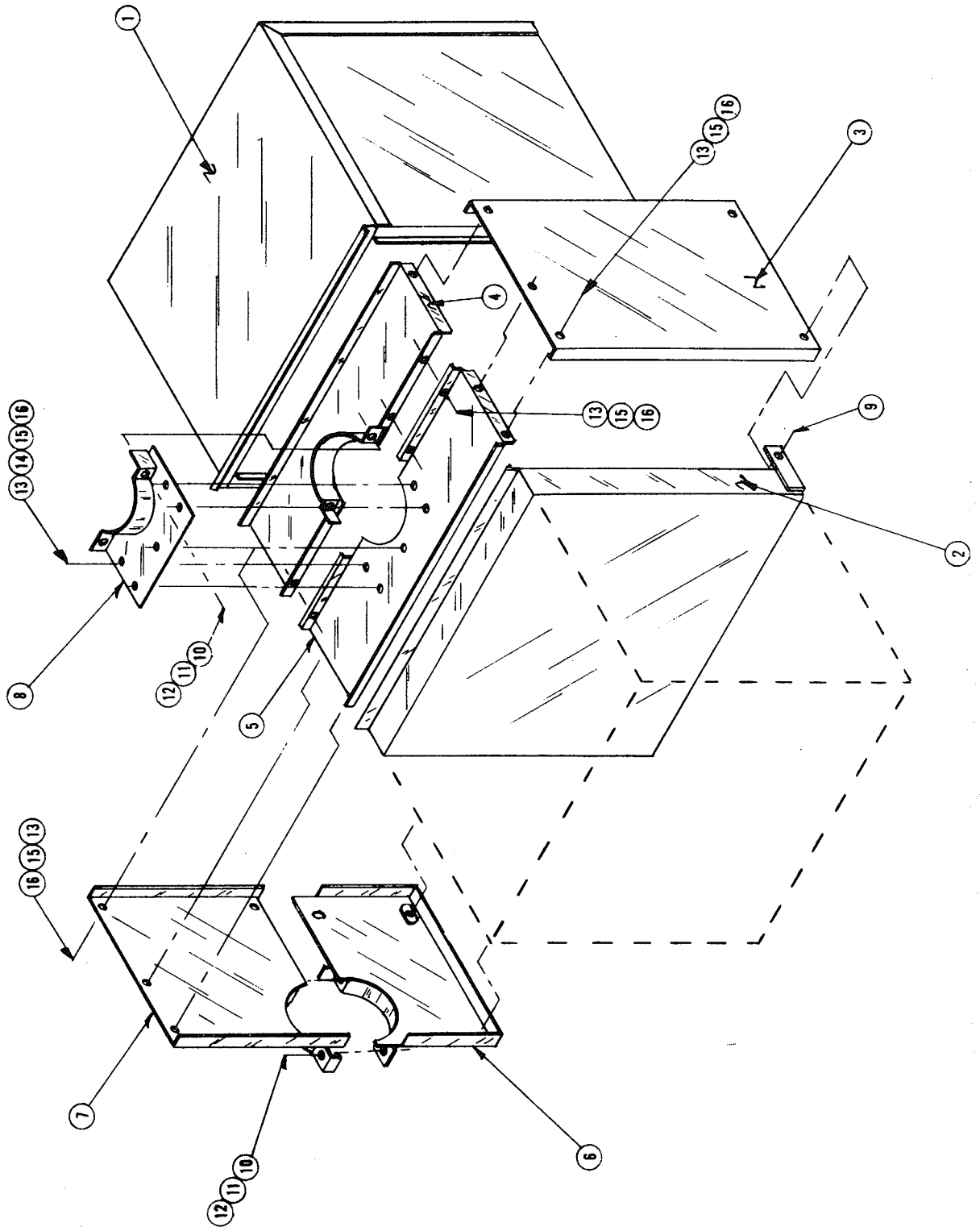
ITEM	PART #	DESCRIPTION	QTY.
2	6A16	2 1/2" O.D. x 5/8" Bore V-Pulley	2
	6A17	2 1/2" O.D. x 7/8" Bore V-Pulley	2
	6A20	3" O.D. x 1-1/8" Bore V-Pulley	2
3	6A14	8" V-Pulley 2 Gr. - 5/8" Bore	1
4	5A3G2	4L370 37" V-Belt	2
	5A3G10	4L390 39" V-Belt	2
5	2A95G2	Adapter Plate Assy. w/Hdwe. Use on 182T & 184T Frame Motors Only	1
	2A95G1	Adapter Plate w/o Hdwe. Use on 182T & 184T Frame Motors Only	1
6	2A47G2	Motor Mtg. Plate w/Hdwe. Use on 182T, 184T, & 56 Frame Motor Only	1
	2A47G1	Motor Mtg. Plate w/o Hdwe. Use on 182T, 184T, & 56 Frame Motors Only	1
	2A204G2	Motor Mtg. Plate w/Hdwe. Use on 143 & 145T Frame Motors Only	1
7	2A204G1	Motor Mtg. Plate w/o Hdwe. Use on 143 & 145T Frame Motors Only	1
	2A63G2	Motor Mtg. Rod w/Nuts	2
8	2A63G1	Motor Mtg. Rod w/o Nuts	2
		5/16" - 18 x 3/4" Hex Head Cap Screw	10
9		5/16" Lock Washer	8
10		5/16" Flat Washer	4
11		5/16" - 18 Hex Nut	8
12		3/4" - 10 Hex Nut	4
13		3/16" Sq. x 1 1/2" Key	1

SAFETY SHIELDS FOR 4" HORIZONTAL & VERTICAL AUGERS



ITEM	PART #	DESCRIPTION	QTY.
	30A66	Horizontal Safety Shield - Complete	
	30A67	Vertical Safety Shield - Complete	
1	2A852	Belt Guard - Horizontal	1
2	2A853	Bracket - Mounting	2
3	2A850	Belt Guard - Vertical	1
4	2A851	Bracket - Mounting	2
5		1/4" - 20 x 1/2" Hex head Cap Screw	16
6		1/4" Lock Washer	16
7		1/4" Flat Washer	4

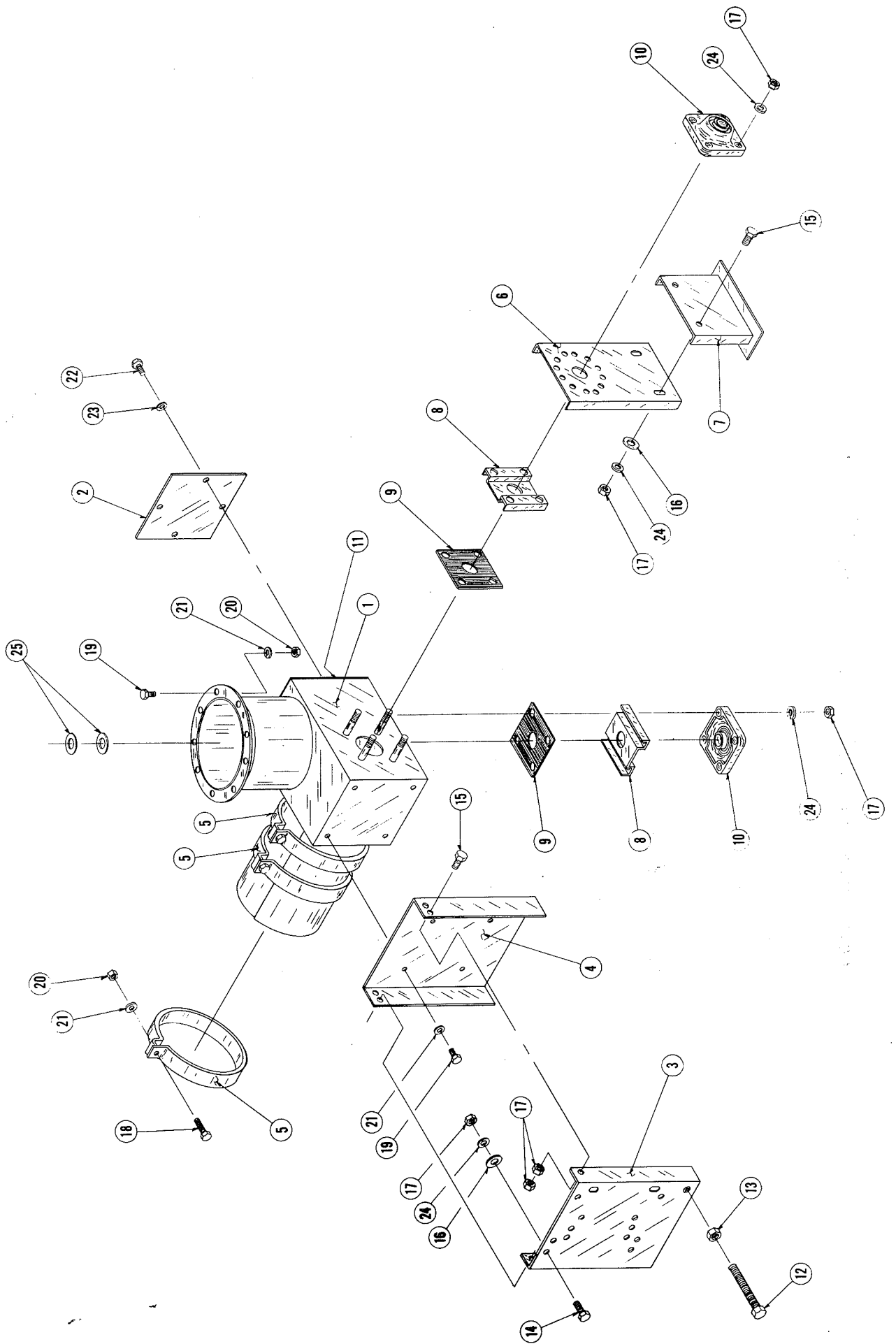
WEATHER COVER FOR 4" AUGER CORNER



WEATHER COVER FOR 4" AUGER CORNER

ITEM	PART #	DESCRIPTION	QTY.
	30A50	Weather Cover w/(2) Large End Covers	
	30A49	Weather Cover w/(1) Large End Cover	
1	2A641	End Cover — Large	2
2	2A846	End Cover — Small	1
3	2A844	Center Side Panel	1
4	2A841	Right Cover Panel	1
5	2A845	Left Cover Panel	1
6	2A842	Lower Adjusting Panel	1
7	2A843	Fixed Plate	1
8	2A221	Adjusting Clamp Plate	1
9		1/4" — 20 x 3/4" Wing Bolt	4
10		5/16" - 18 x 1 1/2" Hex Hd. Cap Screw	4
11		5/16" - 18 Hex Nut	4
12		5/16" Lock Washer	4
13		1/4" - 20 x 1/2" Hex Hd. Cap Screw	15
14		1/4" Flat Washer	6
15		1/4" Lock Washer	15
16		1/4" - 20 Hex Nut	15

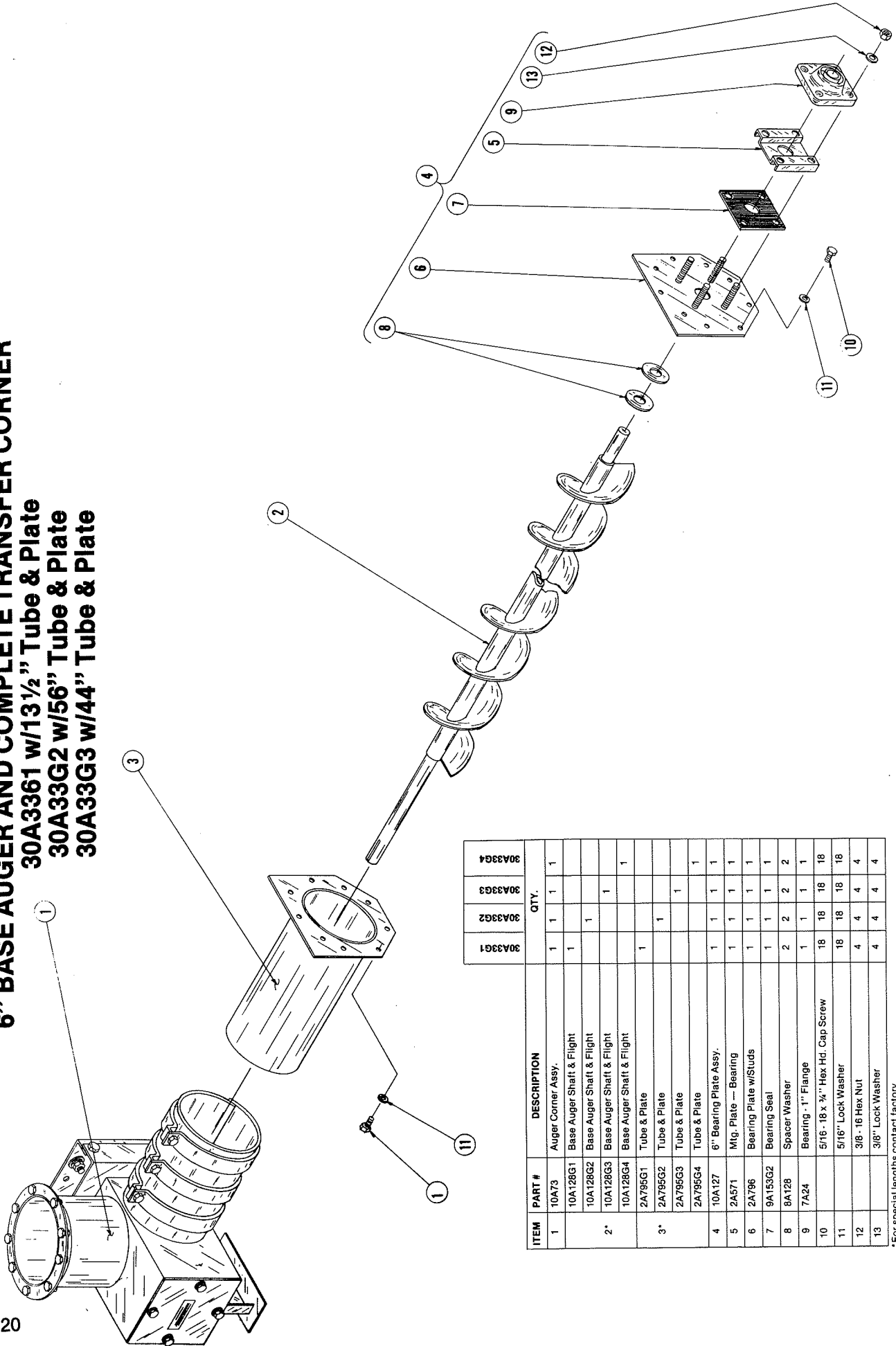
6" TRANSFER CORNER COMPONENTS



6" TRANSFER CORNER COMPONENTS

ITEM	PART #	DESCRIPTION	QTY.
1	2A783	Corner Housing	1
2	2A786	Cleanout Plate w/Decal	1
3	2A787	Hinged Plate — Motor Mount	1
4	2A871	Base Plate — Motor Mount	1
5	2A374	Band Clamp	3
6	2A831	Support Plate — Foot Base	1
7	2A832	Foot Base	1
8	2A571	Bearing Mtg. Plate	2
9	9A153G2	Bearing Seal	2
10	7A24	Bearing — 1" Flange Mt.	2
11	9A53	Sealing Tape	26"
12	2A191G2	Adj. Screw — Motor Mount	1
13		1/2" - 13 Hex Nut	1
14		3/8" - 16 x 1 1/2" Hex Hd. Cap Screw	4
15		3/8" - 16 x 1" Hex Hd. Cap Screw	4
16		3/8" Flat Washer	6
17		3/8" - 16 Hex Nut	18
18		5/16" - 18 x 1 1/2" Hex Hd. Cap Screw	3
19		5/16" - 18 x 3/4" Hex Hd. Cap Screw	13
20		5/16" - 18 Hex Nut	12
21		5/16" Lock Washer	16
22		1/4 - 20 x 3/4" Hex Hd. Cap Screw	4
23		1/4" Lock washer	4
24		3/8" Lock Washer	14
25	8A128	Spacer Washer	2

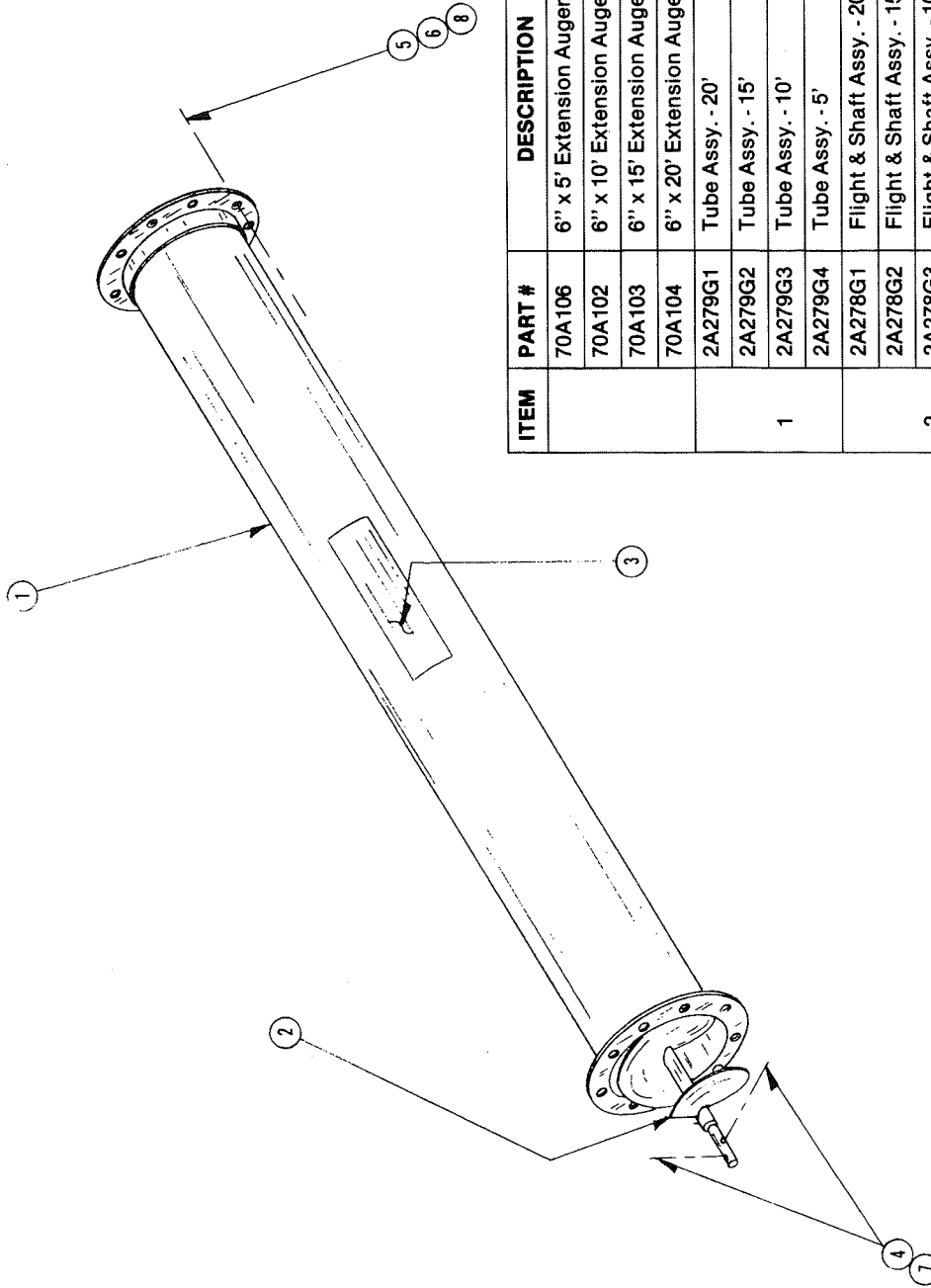
6" BASE AUGER AND COMPLETE TRANSFER CORNER
30A3361 w/13 1/2" Tube & Plate
30A33G2 w/56" Tube & Plate
30A33G3 w/44" Tube & Plate



ITEM	PART #	DESCRIPTION	30A33G1	30A33G2	30A33G3	30A33G4
1	10A73	Auger Corner Assy.	1	1	1	1
	10A128G1	Base Auger Shaft & Flight	1			
2*	10A128G2	Base Auger Shaft & Flight		1		
	10A128G3	Base Auger Shaft & Flight			1	
	10A128G4	Base Auger Shaft & Flight				1
3*	2A795G1	Tube & Plate	1			
	2A795G2	Tube & Plate		1		
	2A795G3	Tube & Plate			1	
	2A795G4	Tube & Plate				1
4	10A127	6" Bearing Plate Assy.	1	1	1	1
5	2A571	Mtg. Plate — Bearing	1	1	1	1
6	2A796	Bearing Plate w/Studs	1	1	1	1
7	9A153G2	Bearing Seal	1	1	1	1
8	8A128	Spacer Washer	2	2	2	2
9	7A24	Bearing - 1" Flange	1	1	1	1
10		5/16" - 18 x 3/4" Hex Hd. Cap Screw	18	18	18	18
11		5/16" Lock Washer	18	18	18	18
12		3/8" - 16 Hex Nut	4	4	4	4
13		3/8" Lock Washer	4	4	4	4

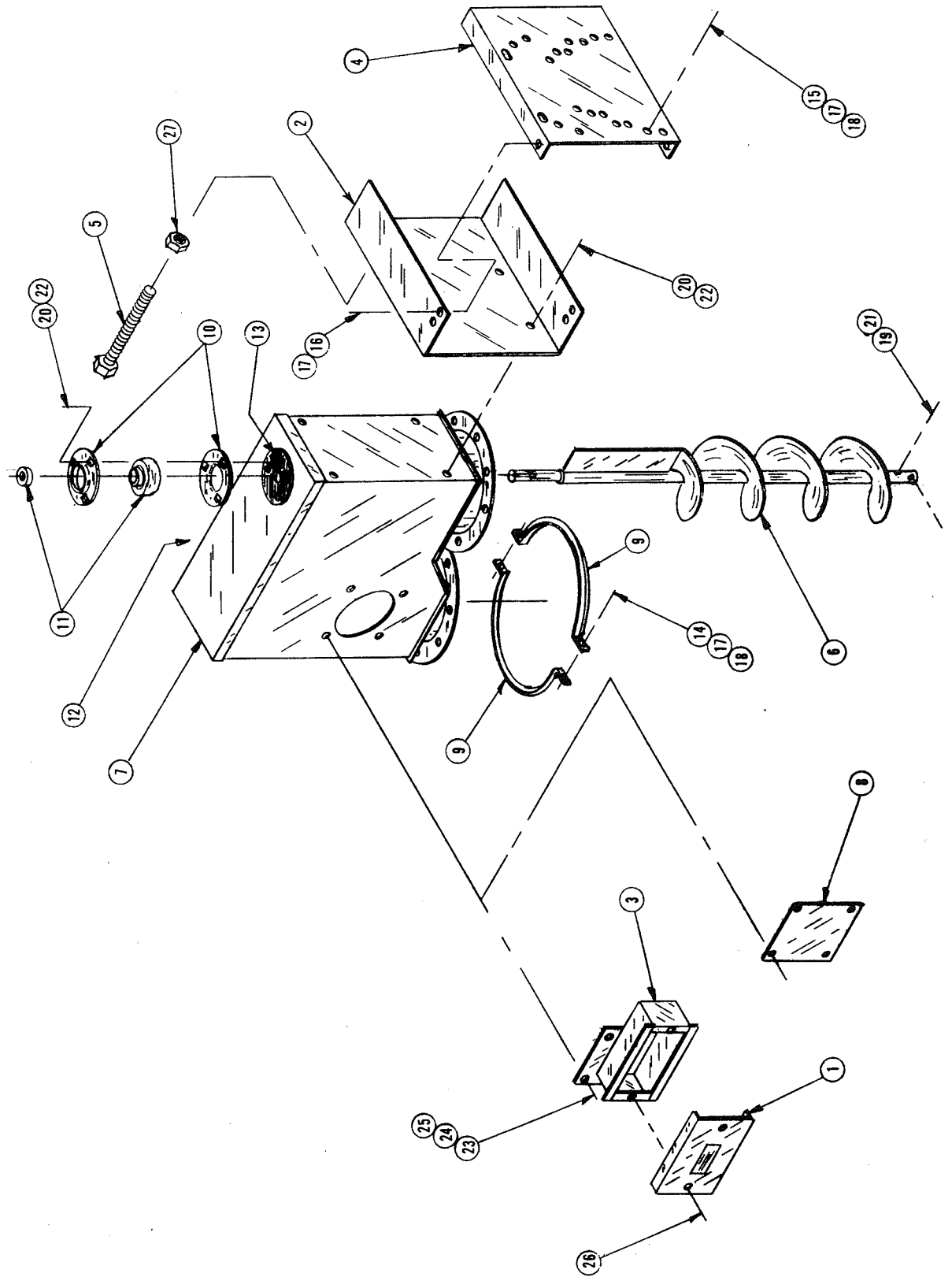
*For special lengths contact factory

6" EXTENSION AUGER ASSEMBLY



ITEM	PART #	DESCRIPTION	QTY.
	70A106	6" x 5' Extension Auger Assy. - Complete	
	70A102	6" x 10' Extension Auger Assy. - Complete	
	70A103	6" x 15' Extension Auger Assy. - Complete	
	70A104	6" x 20' Extension Auger Assy. - Complete	
	2A279G1	Tube Assy. - 20'	1
	2A279G2	Tube Assy. - 15'	1
1	2A279G3	Tube Assy. - 10'	1
	2A279G4	Tube Assy. - 5'	1
	2A278G1	Flight & Shaft Assy. - 20'	1
	2A278G2	Flight & Shaft Assy. - 15'	1
2	2A278G3	Flight & Shaft Assy. - 10'	1
	2A278G4	Flight & Shaft Assy. - 5'	1
3	9A50	Decal - Modern Mill	1
4		5/16-18 x 1-3/4" Hex Head Cap Screw	2
5		5/16-18 x 3/4" Hex Head Cap Screw	9
6		5/16"-18 Hex Nut	9
7		5/16"-18 Hex Lock Nut	2
8		5/16" Lock Washer	9

0° (VERTICAL) DISCHARGE HEADS FOR 6" AUGERS

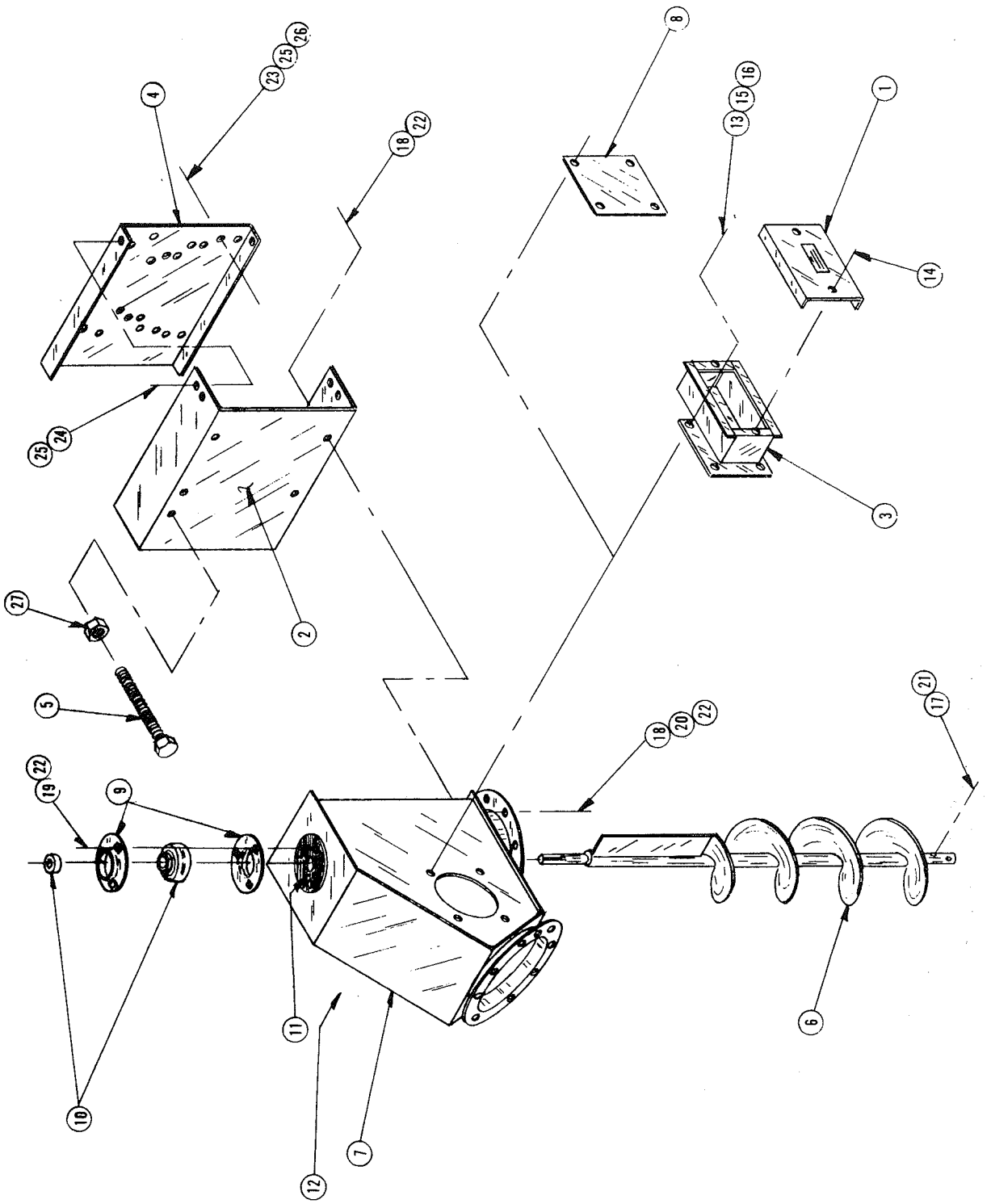


0° (VERTICAL) DISCHARGE HEADS FOR 6" AUGERS

ITEM	PART #	DESCRIPTION	QTY.
	70A111	0° Discharge Head Complete w/o Switch	
	70A112	0° Discharge Head Complete w/Switch	
1	2A882	Cover - Switch Box (Used on 70A112 Only)	1
2	1A284	Base Mfg. Plate - Motor Mount	1
3	2A187	Switch Sub-Assy. (See Index)	1
4	2A190	Hinged Plate - Motor Mount	1
5	2A191G1	Adj. Screw - Motor Mount	1
6	2A277	Discharge Auger - Shaft & Flight	1
7	2A289G2	0° Discharge Head - Body	1
8	2A855	Cover Plate (Use on 70A111 Only)	1
9	2A549	Half Clamp	2
10	7A21	Stamping - 1" Flangette	2
11	7A23	Bearing & Lock Collar - 1" Bore	1
12	9A50	Decal - Modern Mill	1
13	9A78	Bearing Seal	1

ITEM	PART #	DESCRIPTION	QTY.
14		3/8-16 x 2 1/4" Hex Head Cap Screw	2
15		3/8"-16 x 1 1/4" Hex Head Cap Screw	4
16		3/8"-16 x 1" Hex Head Cap Screw	2
17		3/8"-16 Hex Nut	10
18		3/8" Lock Washer	6
19		5/16" x 1-3/4" Hex Head Cap Screw	2
20		5/16"-18 x 3/4" Hex Head Cap Screw	7
21		5/16" Hex Lock Nut	2
22		5/16" Lock Washer	7
23		#8-32 x 1/2" Round Head Machine Screw	4
24		#8-32 Hex Nut	4
25		#8 Lock Washer	4
26		#8-3/8" Self-Tapping Phil. Head Screw	2
27		1/2"-13 Hex Nut	1

60° DISCHARGE HEADS FOR 6" AUGERS

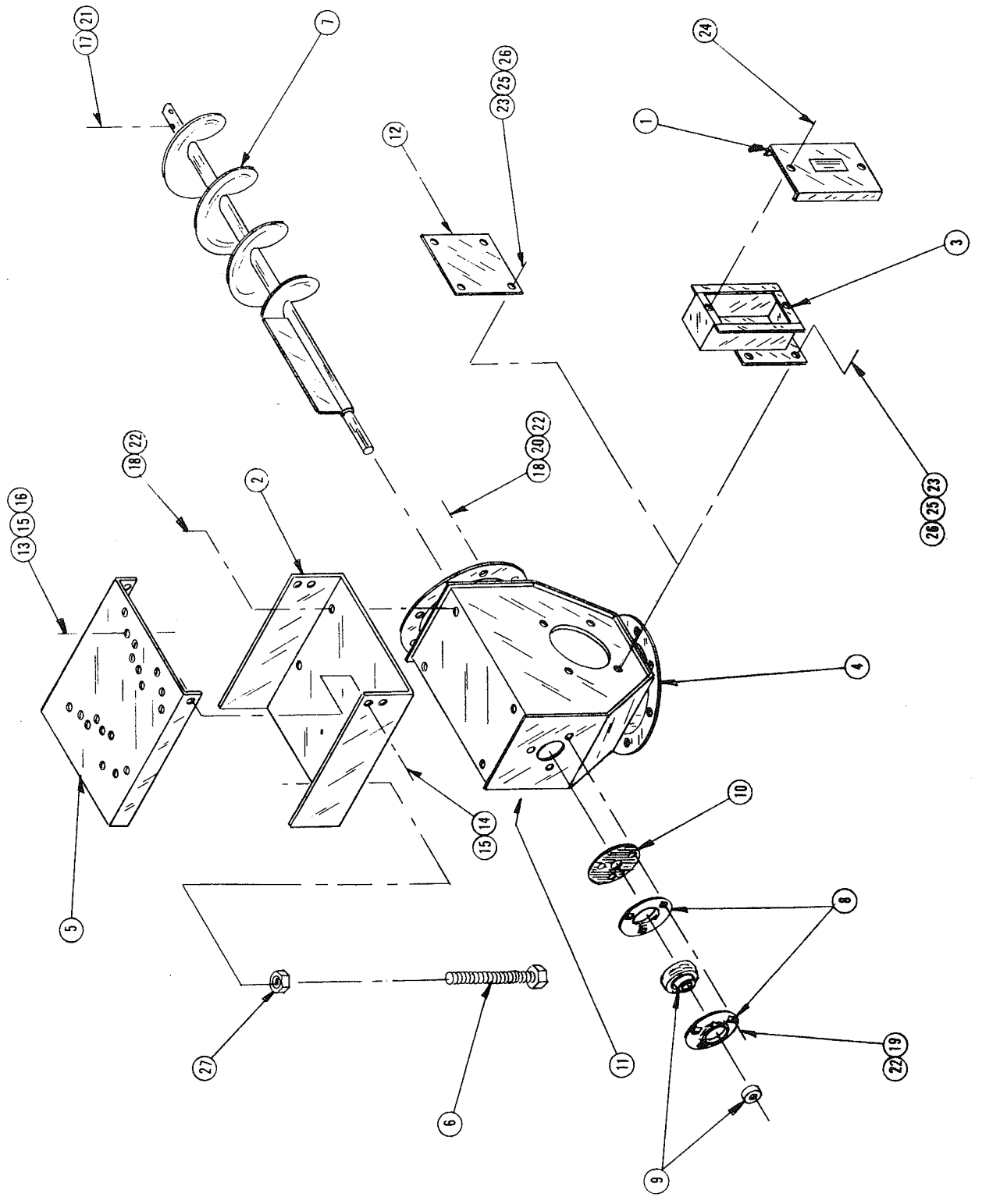


60° DISCHARGE HEADS FOR 6" AUGERS

ITEM	PART #	DESCRIPTION	QTY.
	70A133G1	60° Discharge Head Complete w/o Switch	
	70A133G2	60° Discharge Head Complete w/Switch	
1	2A882	Cover - Switch Box (Used on 70A133G2)	1
2	1A284	Base Mtg. Plate - Motor Mount	1
3	2A187	Switch Sub-Assy. (See Index)	1
4	2A190	Hinged Mtg. Plate - Motor Mount	1
5	2A191G1	Adjusting Screw - Motor Mount	1
6	2A277	Discharge Auger - Flight & Shaft	1
7	2A854	Outlet - Body	1
8	2A855	Cover Plate (Used on 70A133G1)	1
9	7A21	Stamping - 1" Flangette	2
10	7A23	1" Bearing & Lock Collar	1
11	9A78	Bearing Seal	1
12	9A50	Decal - Modern Mill	1
13		#8-32 x 1/2" Round Head Machine Screw	4

ITEM	PART #	DESCRIPTION	QTY.
14		#8 x 3/8" Phillips Head Screw	2
15		#8-32 Hex Nut	4
16		#8 Lock Washer	4
17		5/16"-18 x 1-3/4" Hex Head Cap Screw	2
18		5/16"-18 x 3/4" Hex Head Cap Screw	13
19		5/16"-18 x 3/4" Self-Tapping Screw	3
20		5/16"-18 Hex Nut	9
21		5/16"-18 Hex Lock Nut	2
22		5/16" Lock Washer	16
23		3/8"-16 x 1 1/4" Hex Head Cap Screw	4
24		3/8"-16 x 1" Hex Head Cap Screw	2
25		3/8"-16 Hex Nut	8
26		3/8" Lock Washer	4
27		1/2"-13 Hex Nut	1

90° DISCHARGE HEADS FOR 6" AUGERS

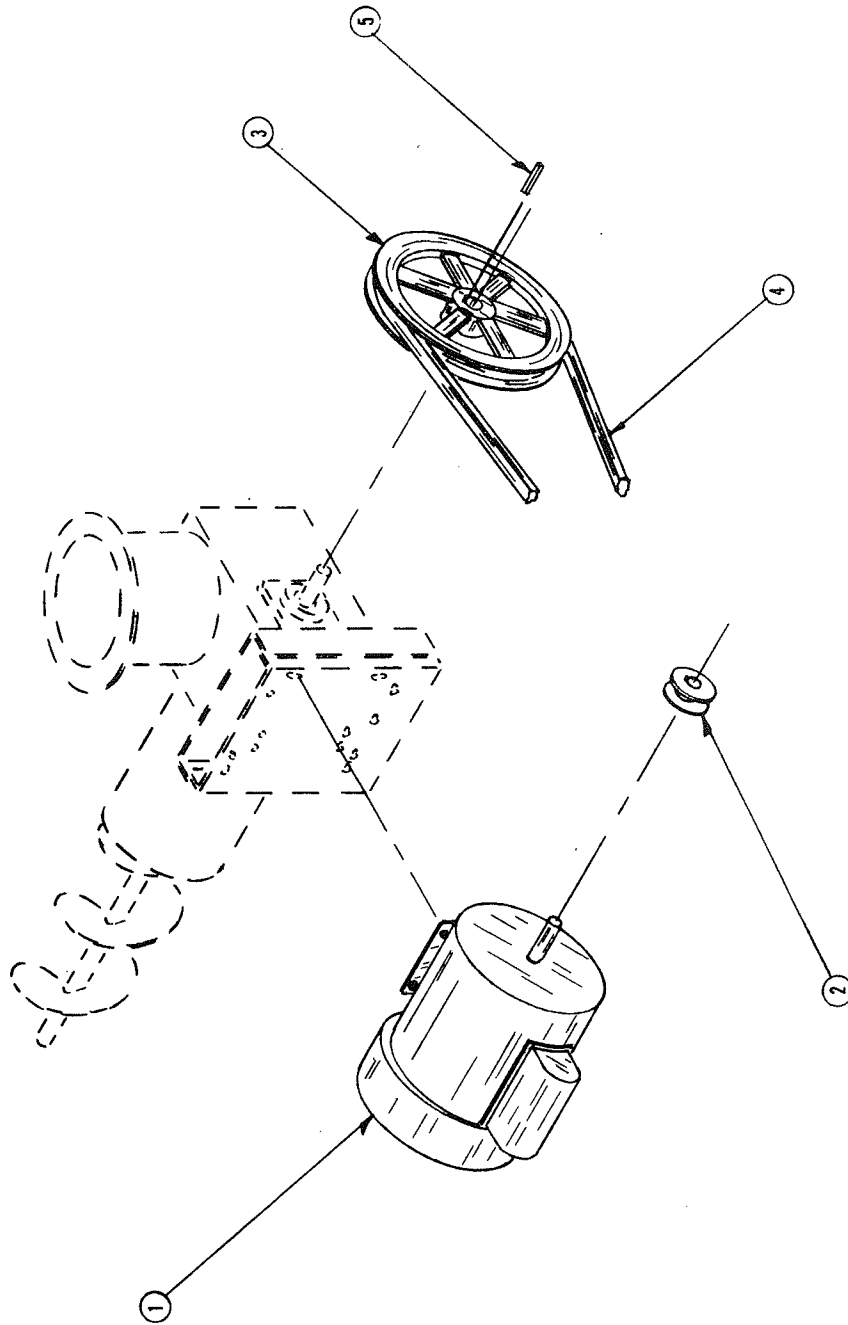


90° DISCHARGE HEADS FOR 6" AUGERS

ITEM	PART #	DESCRIPTION	QTY.
	70A100G1	90° Discharge Head Complete w/o Switch	
	70A100G2	90° Discharge Head Complete w/Switch	
1	2A882	Cover - Switch Box (Used on 70A100G2)	
2	1A284	Base Mtg. Plate - Motor Mount	1
3	2A187	Switch Sub-Assy. (See Index)	1
4	2A188G2	Discharge Head - Body	1
5	2A190	Hinged Mtg. Plate - Motor Mount	1
6	2A191G1	Adjusting Screw - Motor Mount	1
7	2A277	Discharge Auger - Flight & Shaft	1
8	7A21	Stamping 1" Flangette	2
9	7A23	Bearing & Lock 1" Bore	1
10	9A78	Bearing Seal	1
11	9A50	Decal - Modern Mill	1
12	2A855	Cover Plate (Used on 70A100G1)	1
13		3/8" x 1 1/4" Hex Head Cap Screw	

ITEM	PART #	DESCRIPTION	QTY.
14		3/8"-16 x 1" Hex Head Cap Screw	2
15		3/8"-16 Hex Nut	8
16		3/8" Lock Washer	4
17		5/16"-18 x 1-3/4" Hex Head Cap Screw	2
18		5/16"-18 x 3/4" Hex Head Cap Screw	13
19		5/16"-18 x 3/4" Self-Tapping Screw	3
20		5/16"-18 Hex Nut	9
21		5/16"-18 Hex Lock Nut	2
22		5/16" Lock Washer	16
23		#8-32 x 1/2" Round Head Machine Screw	4
24		#8 x 3/8" Phillips Head Screw	2
25		#8-32 Hex Nut	4
26		#8 Lock Washer	4
27		1/2"-13 Hex Nut	1

6" HORIZONTAL AUGER DRIVE KIT COMPONENTS

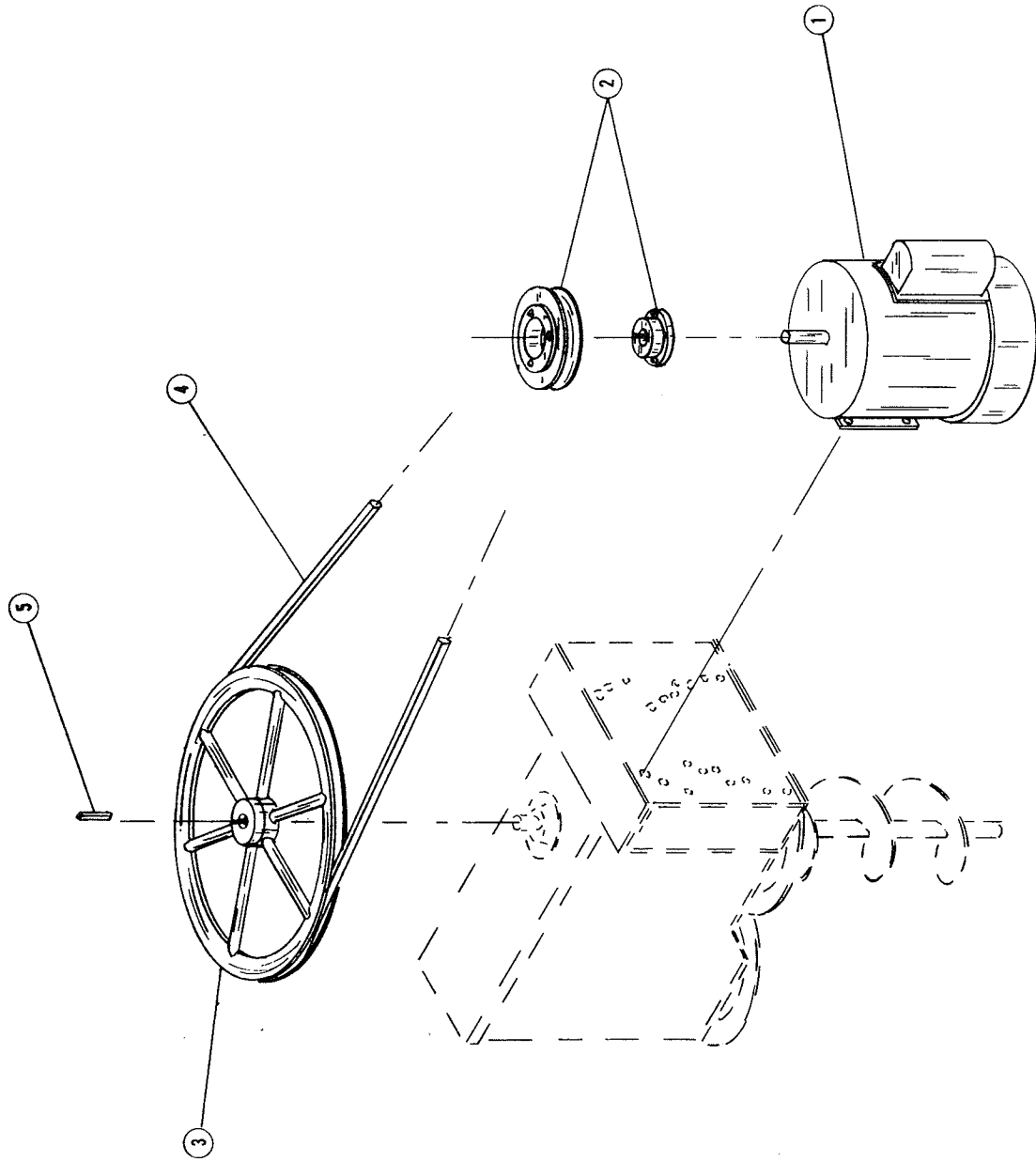


6" HORIZONTAL AUGER DRIVE KIT COMPONENTS

ITEM	PART #	DESCRIPTION	QTY.
1	3A120	1/2 H.P. 1Ø, 115/230 V., Motor	
	3A121	3/4 H.P. 1Ø, 115/230 V., Motor	
	3A122	1 H.P. 1Ø, 115/230 V., Motor	
	3A123	1 1/2 H.P. 1Ø, 115/230 V., Motor	
	3A124	2 H.P. 1Ø, 230 V., Motor	
	3A125	3 H.P. 1Ø, 230 V., Motor	
	3A126	5 H.P. 1Ø, 230 V., Motor	
	3A19	1/2 H.P. 3Ø, 208-230/460 V., Motor	
	3A20	3/4 H.P. 3Ø, 208-230/460 V., Motor	
	3A15	1 H.P. 3Ø, 208-230/460 V., Motor	
	3A16	1 1/2 H.P. 3Ø, 208-230/460 V., Motor	1
	3A39	2 H.P. 3Ø, 208-230/460 V., Motor	
	3A40	3 H.P. 3Ø, 208-230/460 V., Motor	
	3A41	5 H.P. 3Ø, 230/460 V., Motor	
	3A21	1/2 H.P. 3Ø, 575 V., Motor	
	3A22	3/4 H.P. 3Ø, 575 V., Motor	
	3A23	1 H.P. 3Ø, 575 V., Motor	
3A24	1 1/2 H.P. 3Ø, 575 V., Motor		
3A45	2 H.P. 3Ø, 575 V., Motor		
3A46	3 H.P. 3Ø, 575 V., Motor		
3A47	5 H.P. 3Ø, 575 V., Motor		

ITEM	PART #	DESCRIPTION	QTY.
2	6A77G1	5/8" Bore Motor V-Pulley	
	6A77G2	7/8" Bore Motor V-Pulley	1
	6A81	1-1/8" Bore Motor V-Pulley	
3	6A78	9.9" P.D. Auger V-Pulley	
	6A82	10.9" P.D. Auger V-Pulley	1
4	5A7G7	V-Belt (BP 38)	
	5A8G5	V-Belt (BX 42)	1
5	9A86G2	Key (1/4" Sq. x 2")	1

6" VERTICAL AUGER DRIVE KIT COMPONENTS

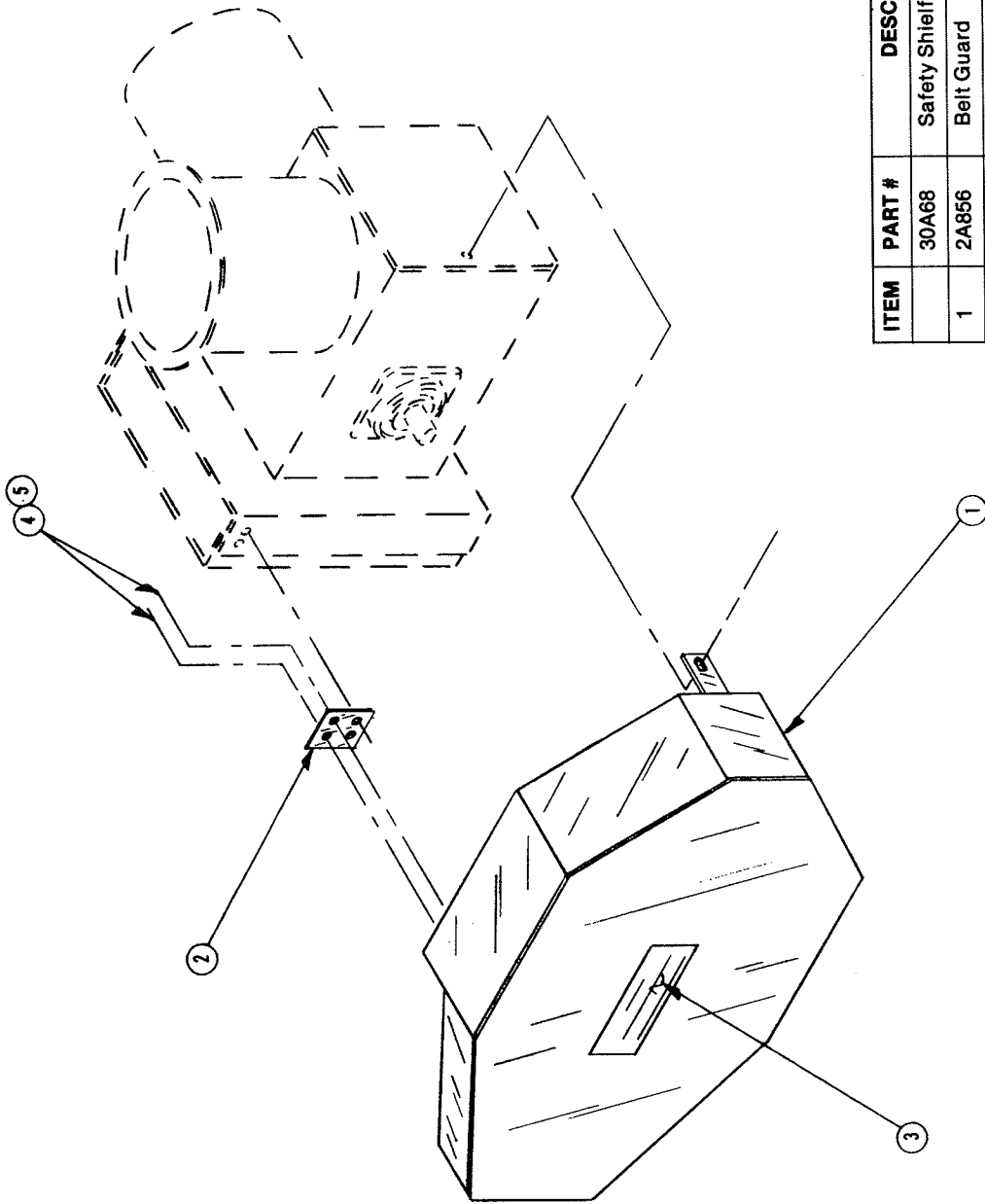


6" VERTICAL AUGER DRIVE KIT COMPONENTS

ITEM	PART #	DESCRIPTION	QTY.
1	3A120	½ H.P. 1Ø, 115/230 V., Motor	1
	3A121	¾ H.P. 1Ø, 115/230 V., Motor	
	3A122	1 H.P. 1Ø, 115/230 V., Motor	
	3A123	1½ H.P. 1Ø, 115/230 V., Motor	
	3A124	2 H.P. 1Ø, 230 V., Motor	
	3A125	3 H.P. 1Ø, 230 V., Motor	
	3A126	5 H.P. 1Ø, 230 V., Motor	
	3A19	½ H.P. 3Ø, 208-230/460 V., Motor	
	3A20	¾ H.P. 3Ø, 208-230/460 V., Motor	
	3A15	1 H.P. 3Ø, 208-230/460 V., Motor	
	3A16	1½ H.P. 3Ø, 208-230/460 V., Motor	
	3A39	2 H.P. 3Ø, 208-230/460 V., Motor	
	3A40	3 H.P. 3Ø, 208-230/460 V., Motor	
	3A41	5 H.P. 3Ø, 230/460 V., Motor	
	3A21	½ H.P. 3Ø, 575 V., Motor	
	3A22	¾ H.P. 3Ø, 575 V., Motor	
	3A23	1 H.P. 3Ø, 575 V., Motor	
3A24	1½ H.P. 3Ø, 575 V., Motor		
3A45	2 H.P. 3Ø, 575 V., Motor		
3A46	3 H.P. 3Ø, 575 V., Motor		
3A47	5 H.P. 3Ø, 575 V., Motor		

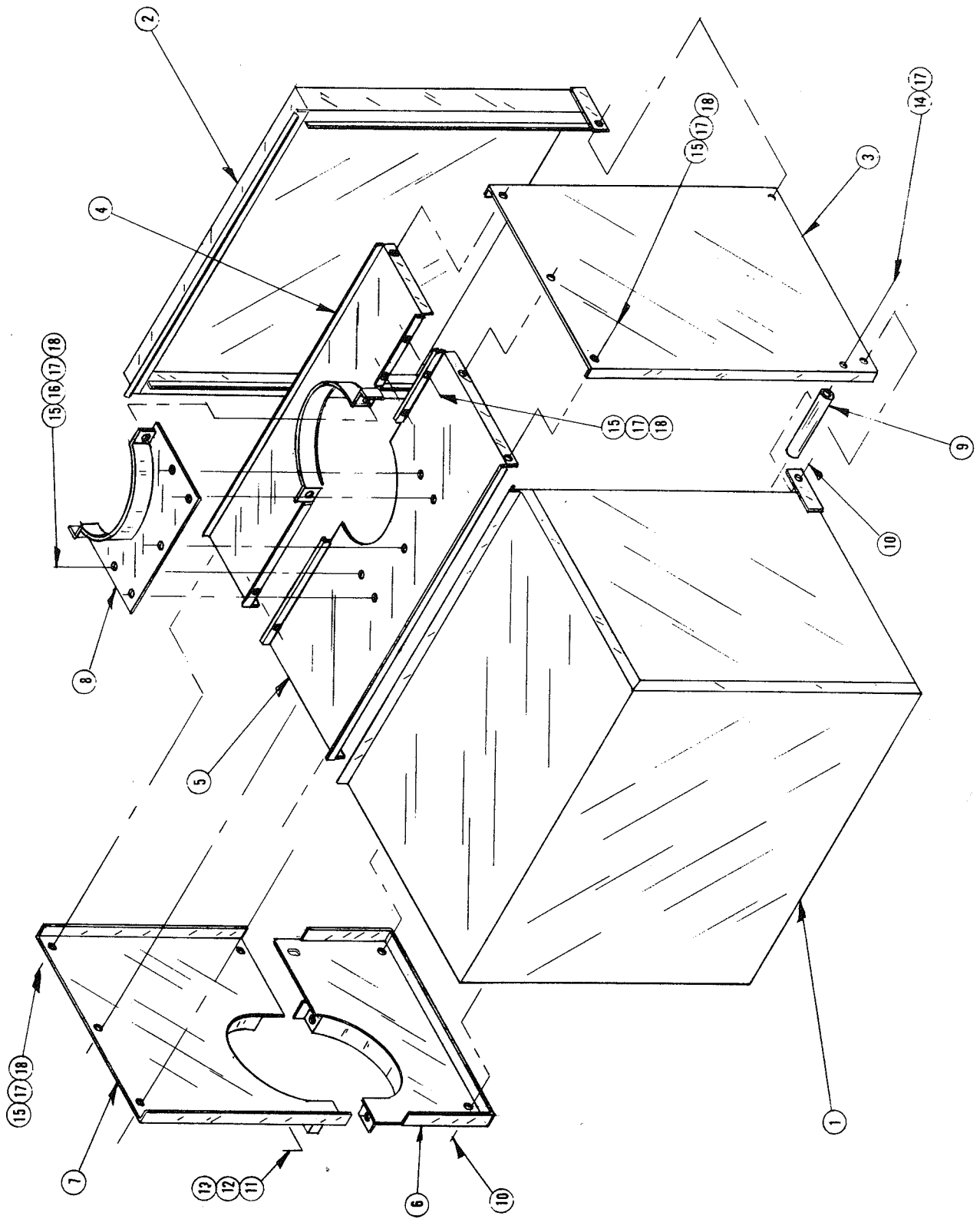
ITEM	PART #	DESCRIPTION	QTY.
2	6A37	5/8" Bore Single Groove Motor V-Pulley	1
	6A38	7/8" Bore Single Groove Motor V-Pulley	
	6A39	1-1/8" Bore Single Groove Motor V-Pulley	
	6A44	1-1/8" Bore Double Groove Motor V-Pulley	
3	6A49	Single Groove Auger V-Pulley	1
	6A50	Double Groove Auger A-Pulley	
4	5A7G2	Belt (BP 55)	1
	5A7G3	Belt (BP 56)	
5	9A86G2	Sq. Key ¼" x ¼" x 2"	1

SAFETY SHIELD FOR 6" HORIZONTAL AUGER



ITEM	PART #	DESCRIPTION	QTY.
	30A68	Safety Shield - Complete w/Hdwe.	
1	2A856	Belt Guard	1
2	2A857	Mounting Plate	1
3	9A58	Decal - Danger	1
4		1/4" .20 x 1/2" Hex Head Cap Screw	2
5		1/4" Lock Washer	2

WEATHER COVER FOR 6" AUGER CORNER



WEATHER COVER FOR 6" AUGER CORNER

ITEM	PART #	DESCRIPTION	QTY.
	30A69	Weather Cover	
1	2A939	End Panel - Large	1
2	2A940	End Panel - Small	1
3	2A941	Center Side Panel	1
4	2A946	Right Cover Panel	1
5	2A947	Left Cover Panel	1
6	2A944	Lower Adjusting Plate	1
7	2A943	Fixed Plate	1
8	2A945	Adj. Clamp Plate	1
9	2A948	Support Tube	1

ITEM	PART #	DESCRIPTION	QTY.
10		1/4"-20 x 3/4" Wing Bolt	4
11		5/16"-18 x 1-1/2" Hex Head Cap Screw	4
12		5/16"-18 Hex Nut	4
13		5/16" Lock Washer	4
14		1/4"-20 x 5-1/2" Hex Head Cap Screw	1
15		1/4"-20 x 1/2" Hex Head Cap Screw	15
16		1/4" Flat Washer	6
17		1/4" Lock Washer	16
18		1/4"-20 Hex Nut	15