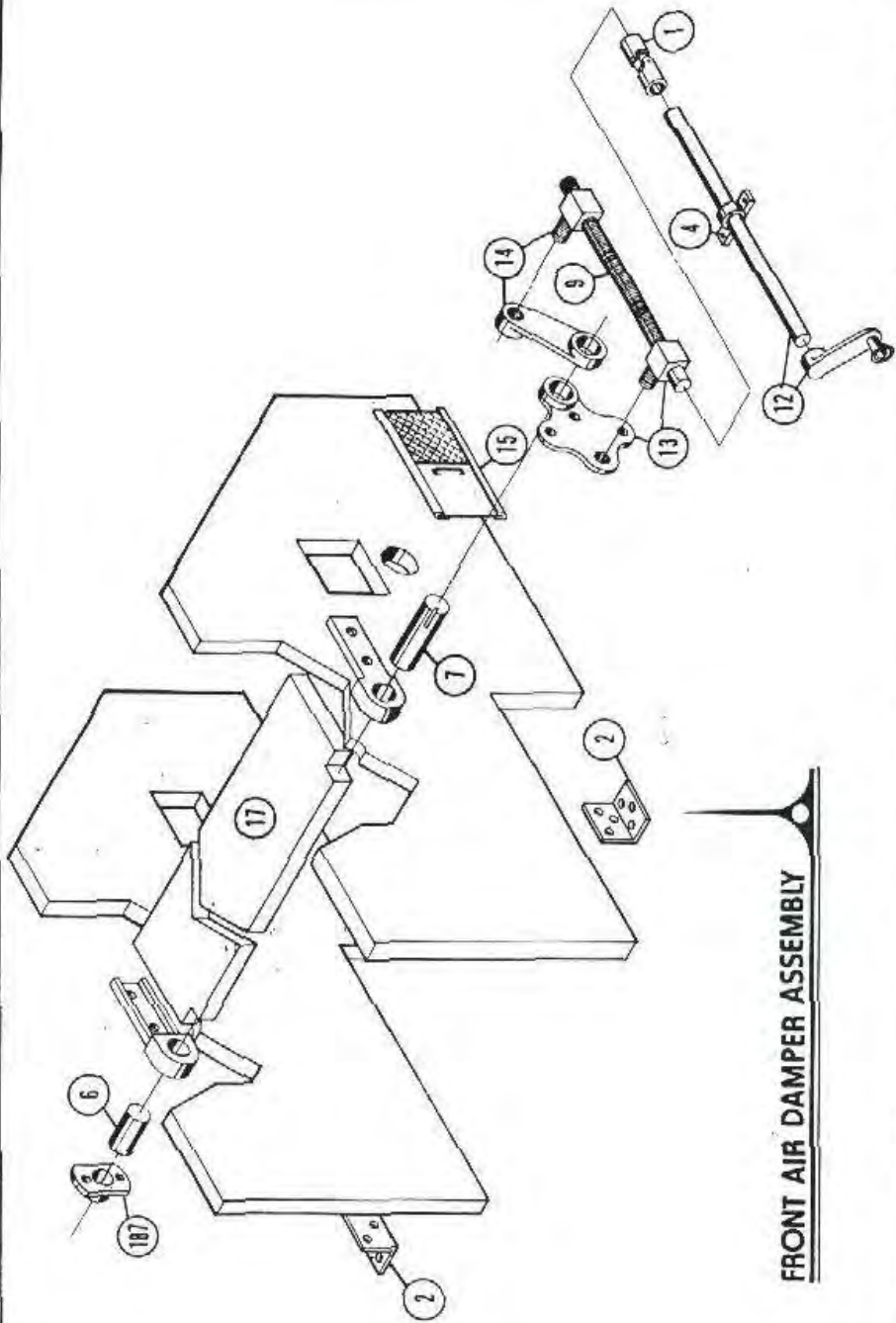


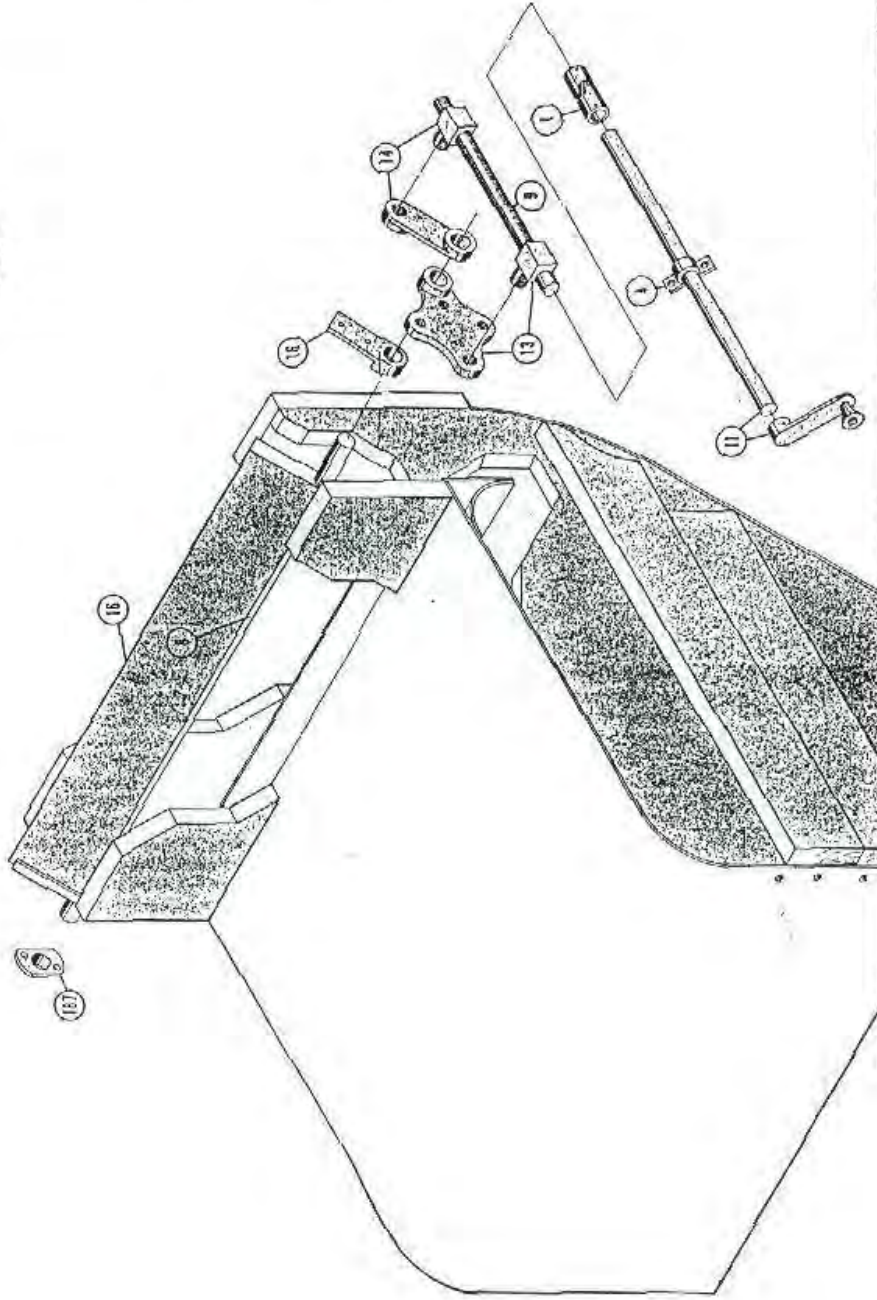
BLUE PRINT SUPPLY & SERVICE CO., INC.



**FRONT AIR DAMPER ASSEMBLY**

SYM	REVISION	DATE	ON	DATE	SCALE	DATE	DRAWN BY	front air damper assembly		FERRELL - ROSS	MACH. NO.
										SAGINAW, MICH.	DWG. NO.

# BACK AIR DAMPER : TOP FAN SECTION

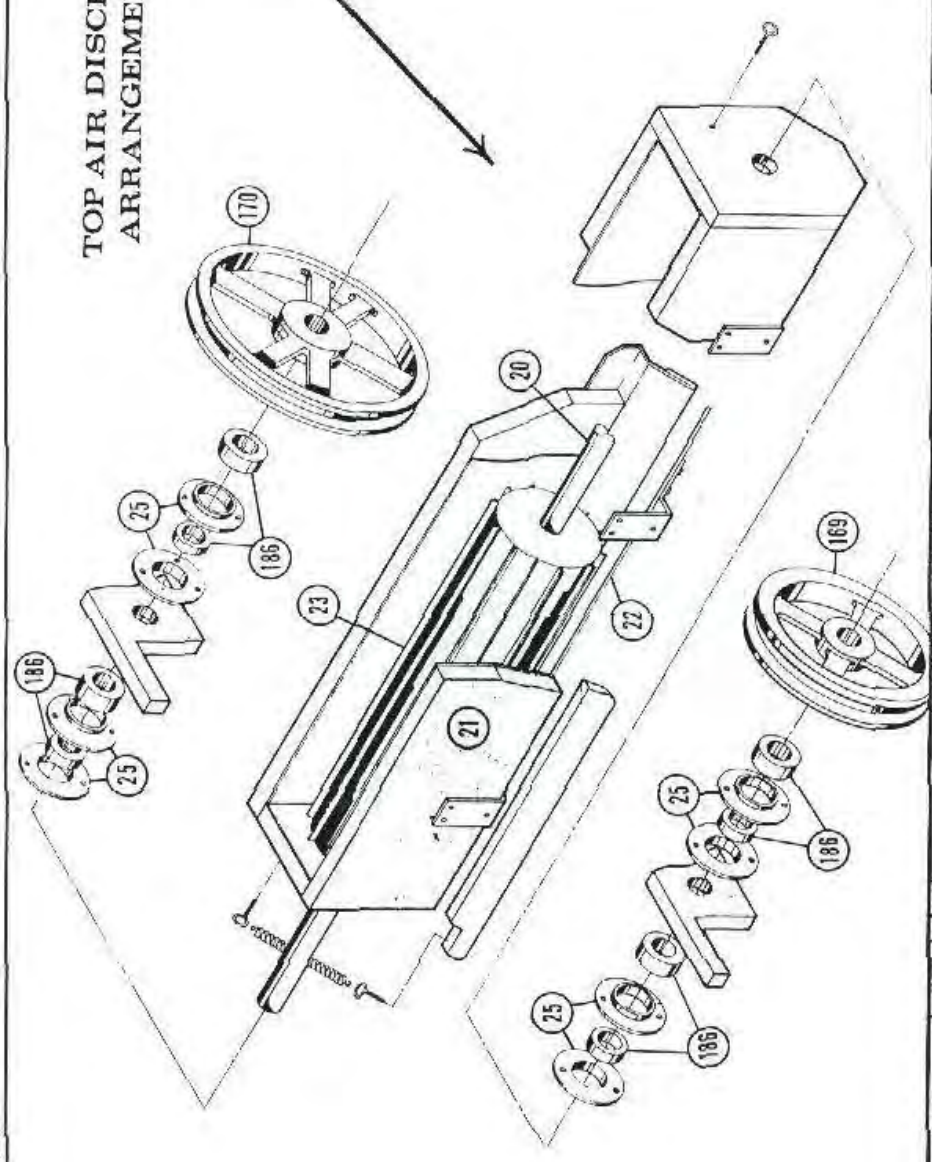


FENNELL - ROSS ENGINEERS LTD.	
WASLEY W.D.	
BWG No.	
DATE	
BY	
CHECKED	
APPROVED	



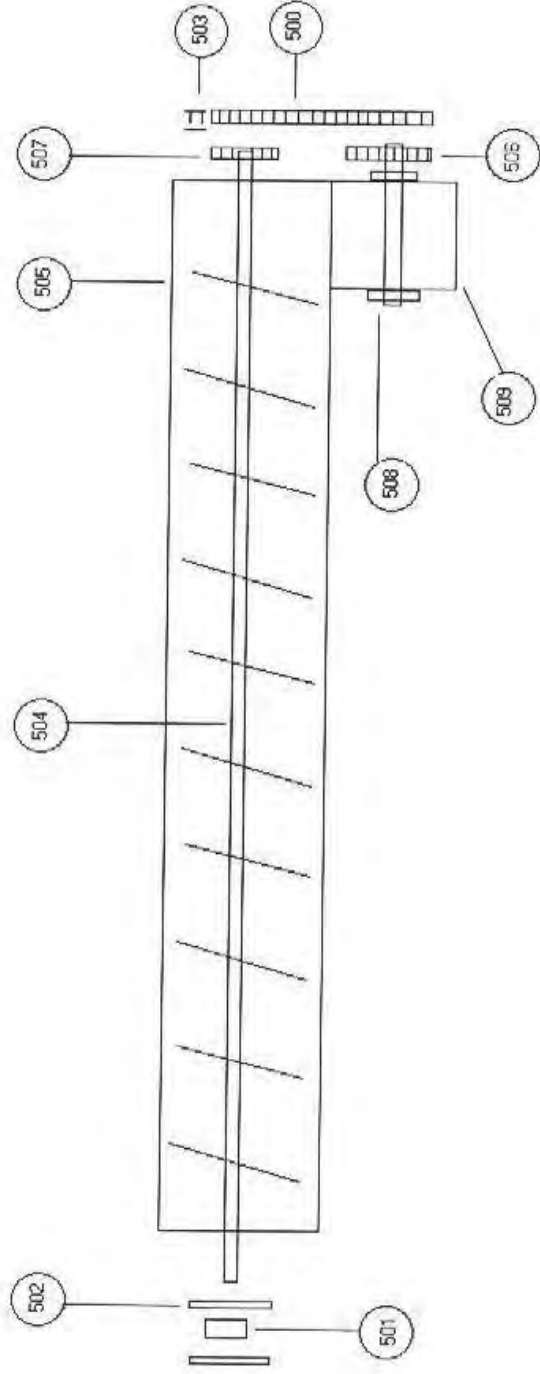
MULTI PRINT SUPPLY CO. 2500 E. 17TH ST. DENVER, CO. 80202

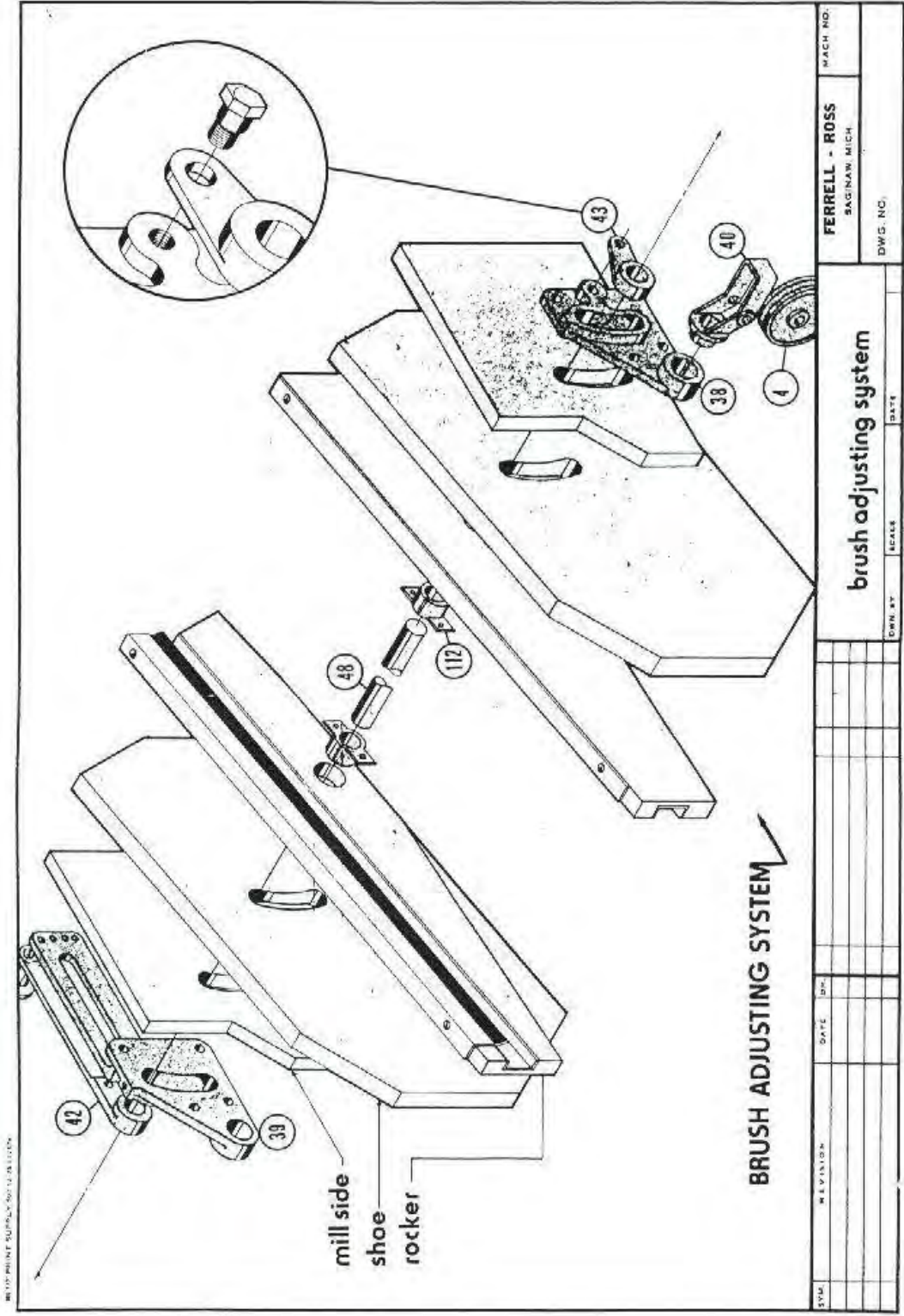
# TOP AIR DISCHARGE ARRANGEMENT



SYN.	REV.	DATE	BY	DATE	SCALE	DRAWN BY	J. B.	DATE	2-10-47	DWG. NO.		MACH. NO.	
						- top air discharge arrangement							
						FERRELL - ROSS							
						SAGINAW, MICH.							

# Top Air Discharge Auger Assembly

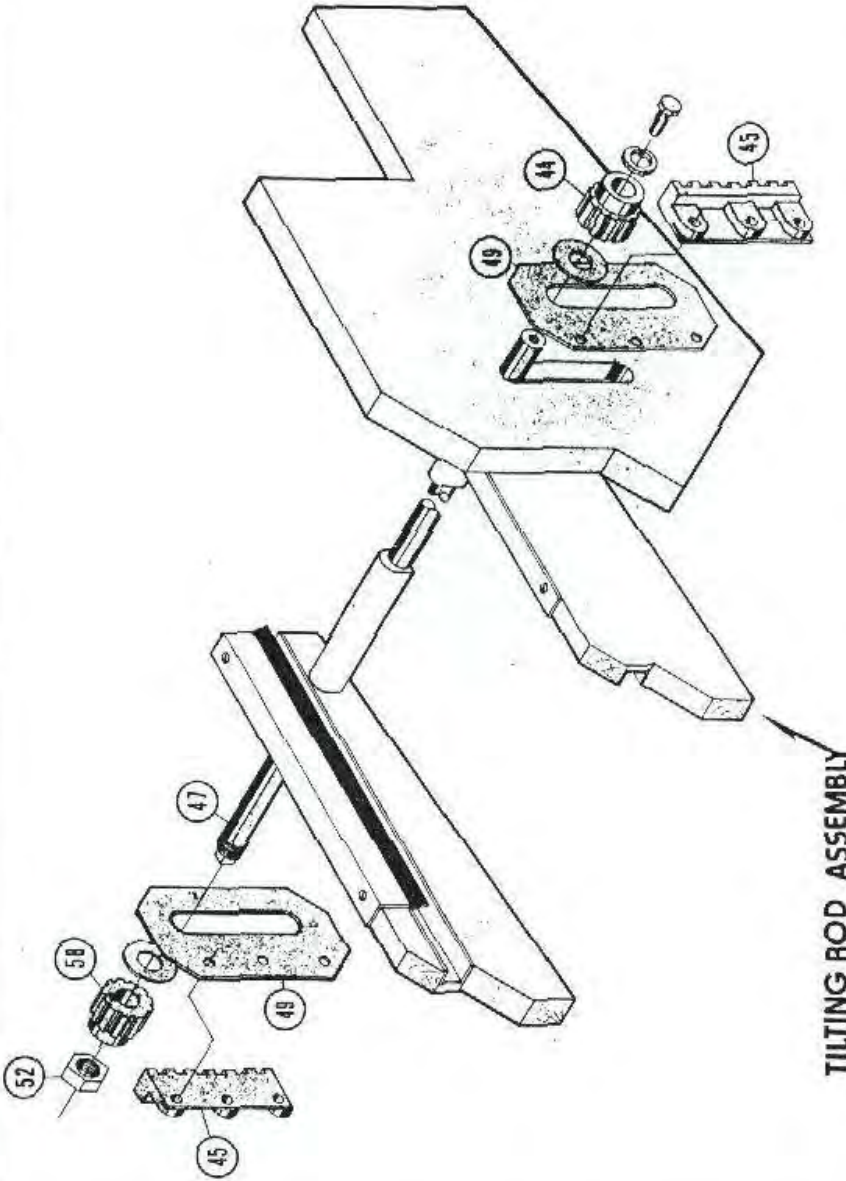




WEST-PRINT SUPPLY CO. (L.L.C.)

DATE		DATE		DATE		DATE		DATE		DATE	
M. & V. / 10/24/04		M. & V. / 10/24/04		M. & V. / 10/24/04		M. & V. / 10/24/04		M. & V. / 10/24/04		M. & V. / 10/24/04	
DWG. #		SCALE		DATE		DATE		DATE		DATE	
112		1/4" = 1"		10/24/04		10/24/04		10/24/04		10/24/04	
FERRELL - ROSS				MACH. NO.							
BAGINAW, MICH.											
DWG. NO.											

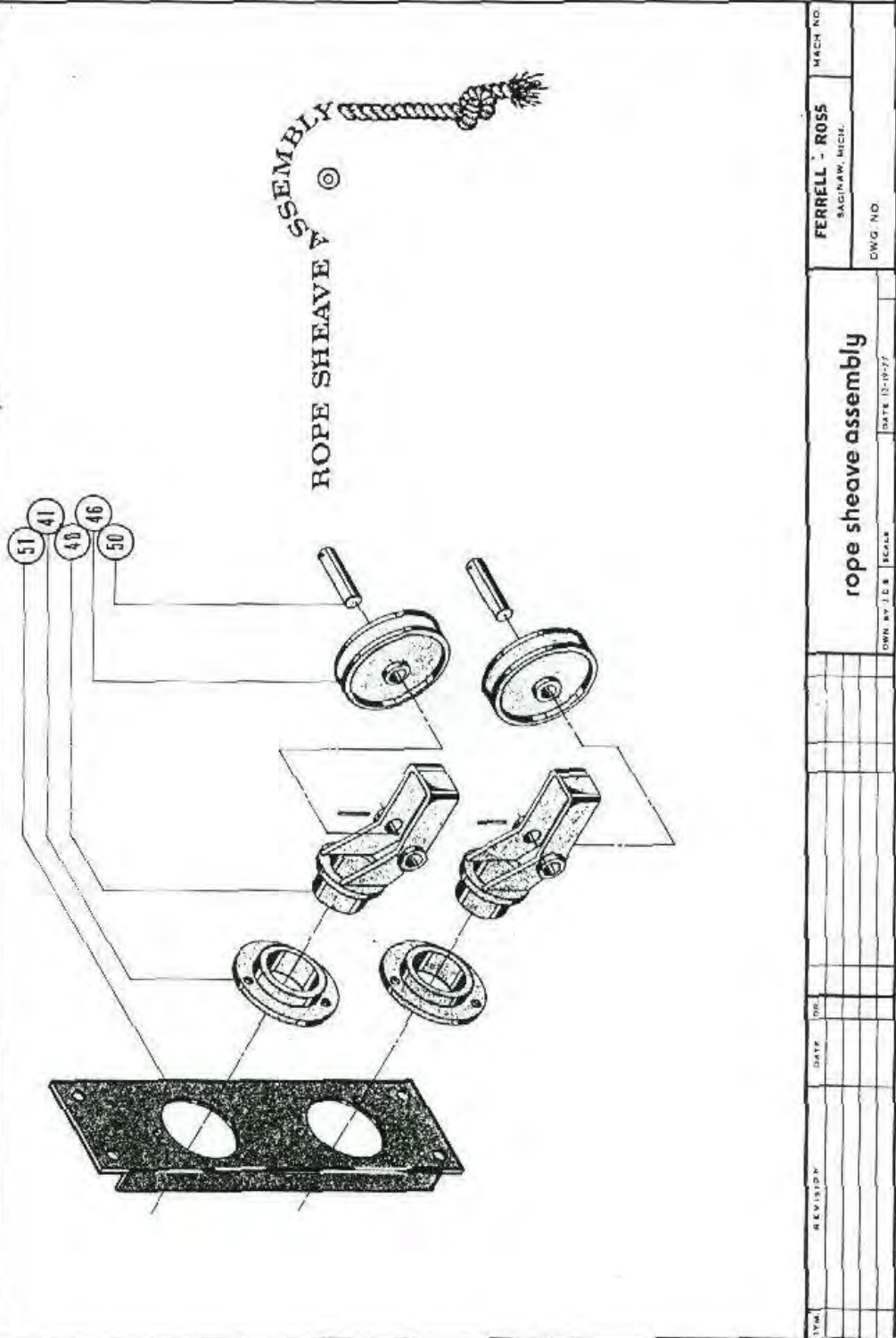
SCALE PRINT SUPPLY NO. 12-18-3124



**TILTING ROD ASSEMBLY**

DATE	REV.	DATE	REV.	DATE	REV.	DATE	REV.	DATE	REV.	DATE	REV.
tilting rod assembly											
DWG. NO.						DWG. NO.					
FERRELL - ROSS						FERRELL - ROSS					
SAGINAW, MICH.						SAGINAW, MICH.					
MACH. NO.						MACH. NO.					

BLUE PRINT & SAMPLE NO. 1248 51724

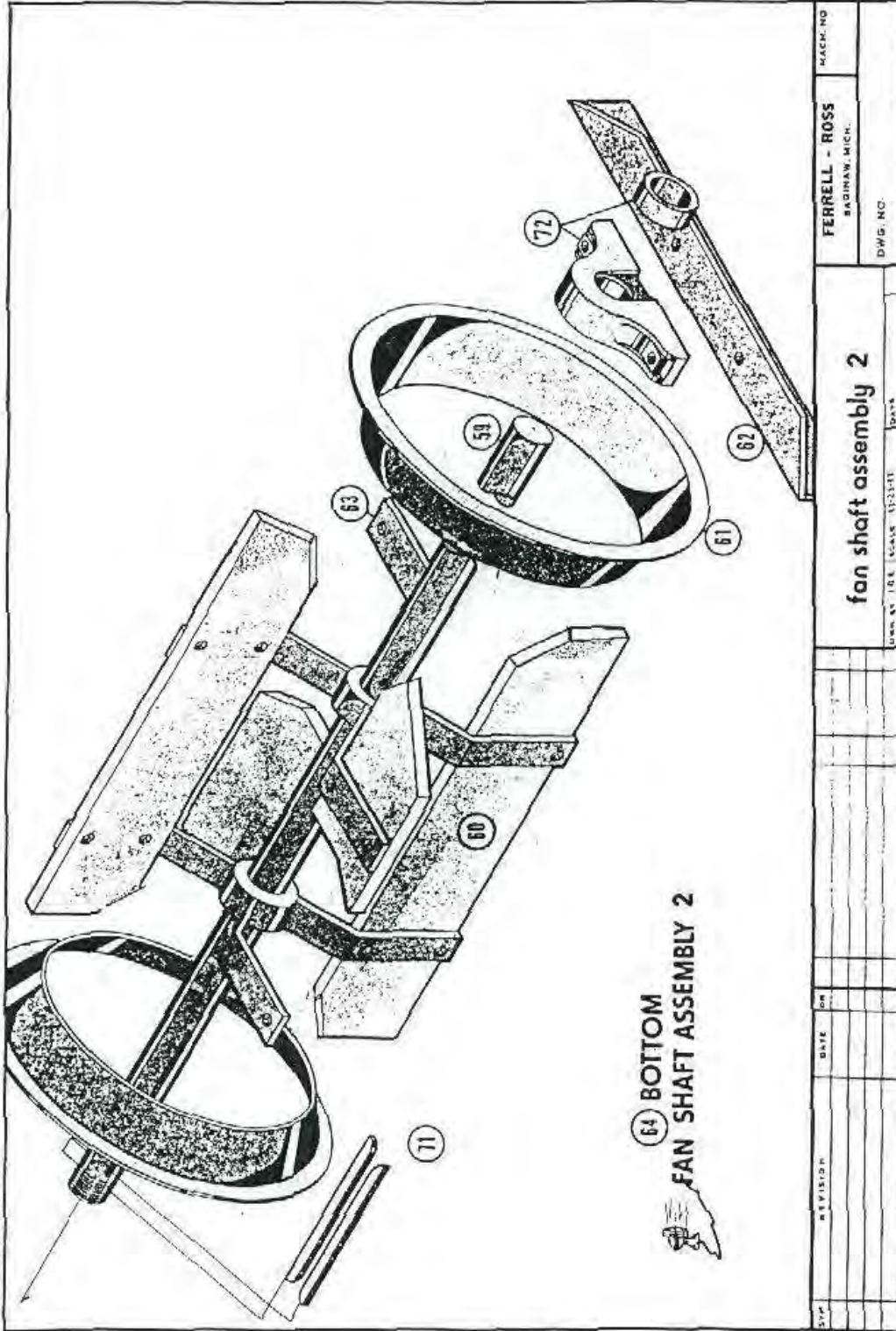


NO.	REV.	DATE	BY	CHK.	SCALE	DATE	NO.	MACH. NO.
ROPE SHEAVE ASSEMBLY							FERRELL - ROSS	
							SAGINAW, MICH.	
							DWG. NO.	
							DATE 12-19-27	





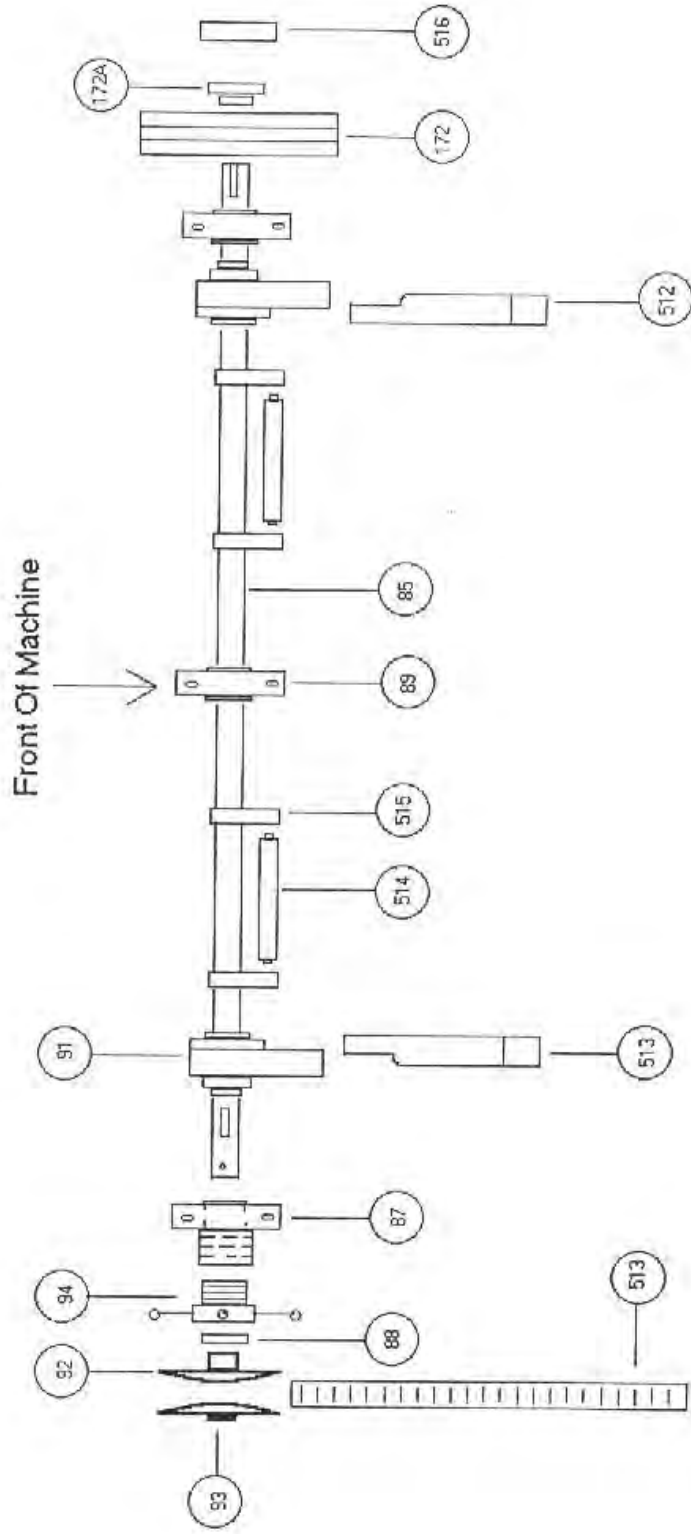


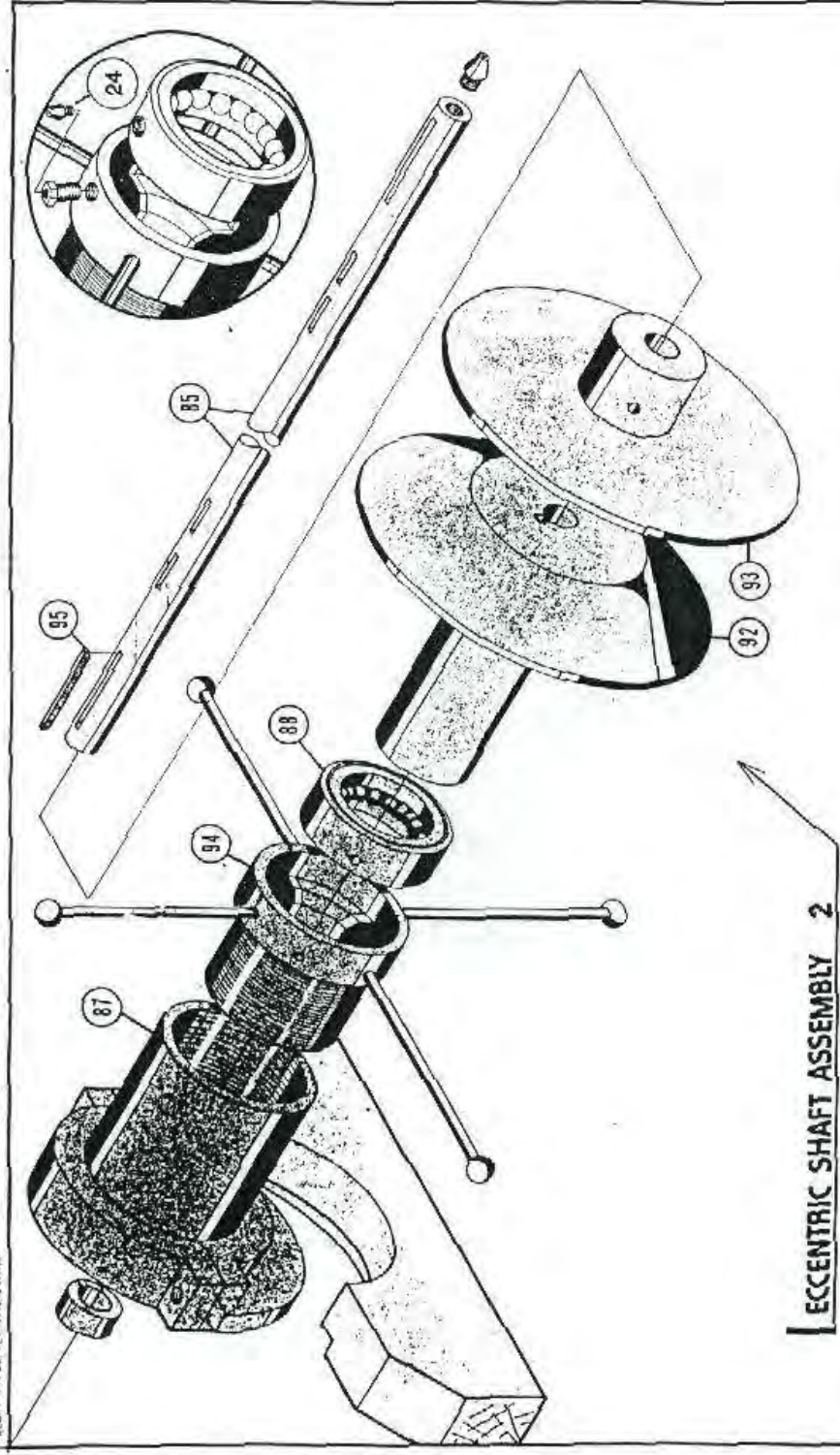


64 BOTTOM  
FAN SHAFT ASSEMBLY 2

SYN		REVISION	DATE	BY	DWG. NO. 100-16000-1323-11	DATE	DWG. NO.
		<b>fan shaft assembly 2</b>			FERRELL - ROSS BADING, MICH. DWG. NO.		

# Eccentric Shaft For 60 Series

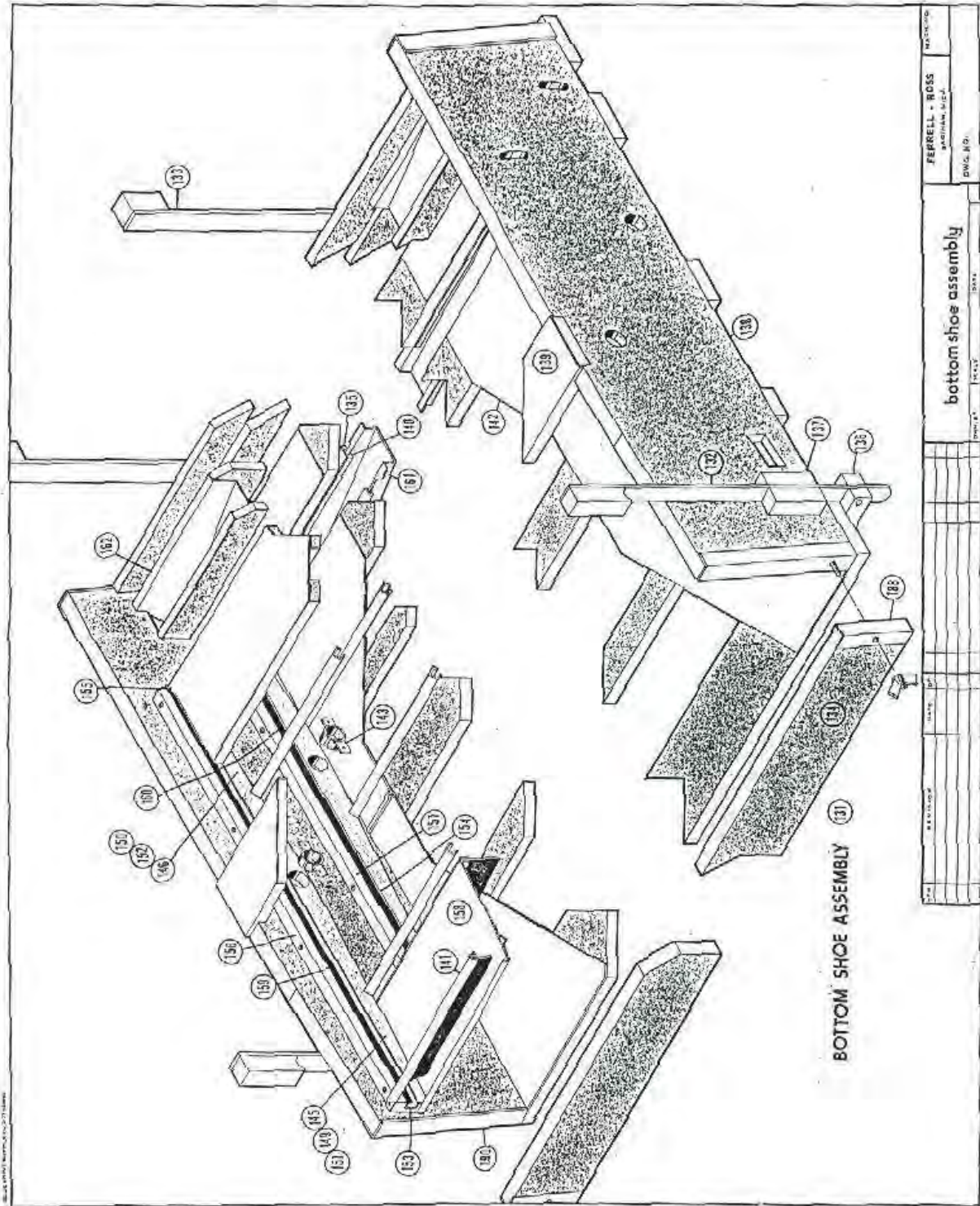




**ECCENTRIC SHAFT ASSEMBLY 2**

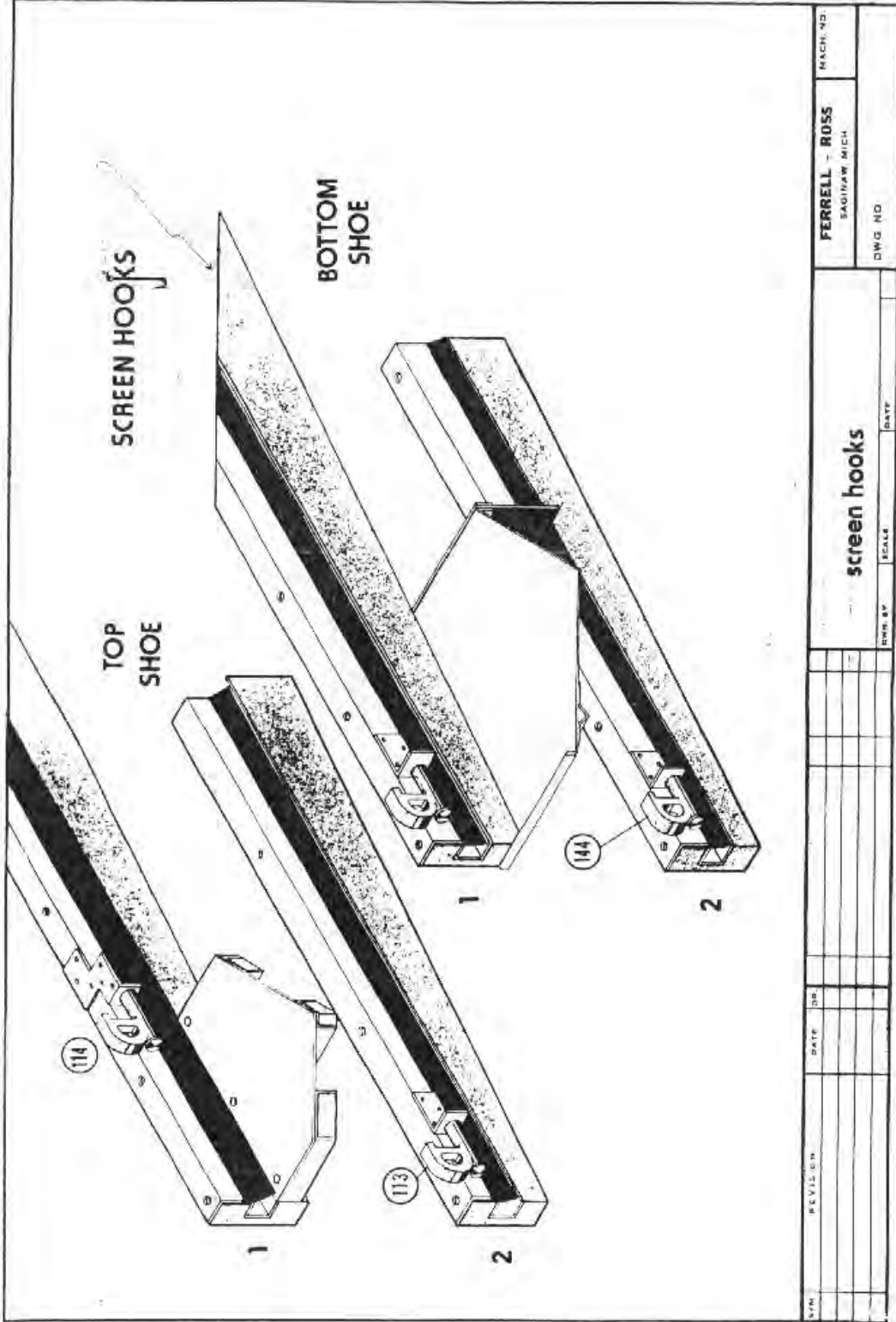
BLUETINT BRUFLY 100-10-100

REV.	REVISION	DATE	BY	CHKD.	DATE	BY	CHKD.	DATE	BY	CHKD.
<b>eccentric shaft assembly 2</b> <small>OWN. BY: JCS    TECH: J</small>			<small>DATE: 11-2-78</small>		<small>OW.S. RO.</small>					
<b>FERRELL - ROSS</b> <small>BAGINAW, MICH</small>			<small>MACH. NO.</small>							



FERRELL - BOSS		REV. 01/2008
SARL Ferrell - Boss		
bottom shoe assembly		
Dwg. No.		
Scale		
Date		
Author		
Check		
Drawn		
Material		
Finish		
Tolerances		
Surface		
Notes		

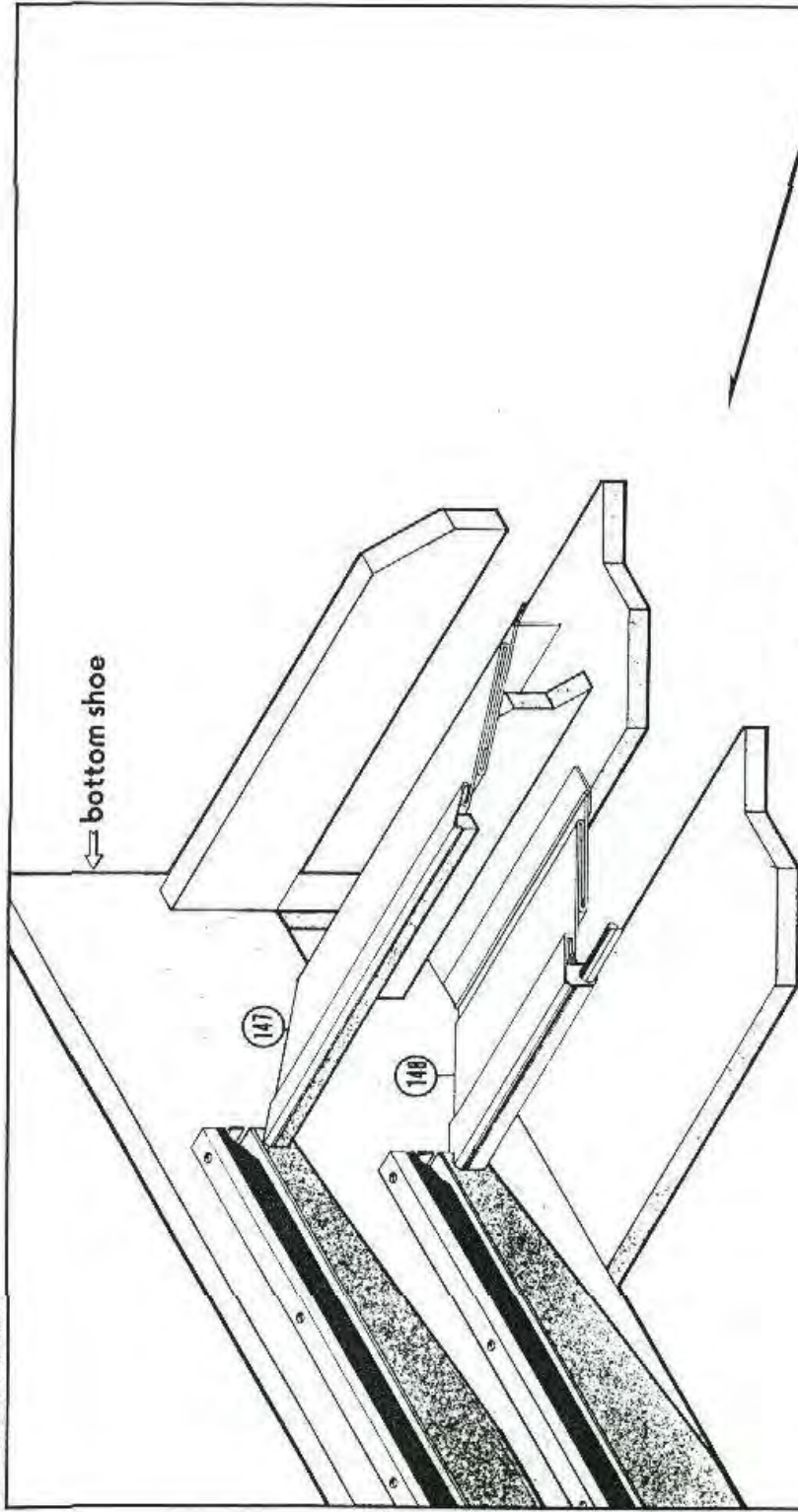
BOTTOM SHOE ASSEMBLY (31)



ALL INFORMATION CONTAINED HEREIN IS UNCLASSIFIED

DATE	REVISED BY	DATE	BY	SCALE	DATE	screen hooks		DWG. NO.	MACH. NO.
						FERRELL - ROSS SAGINAW, MICH.			

BLUE PRINT SUPPLY COMPANY, INC.

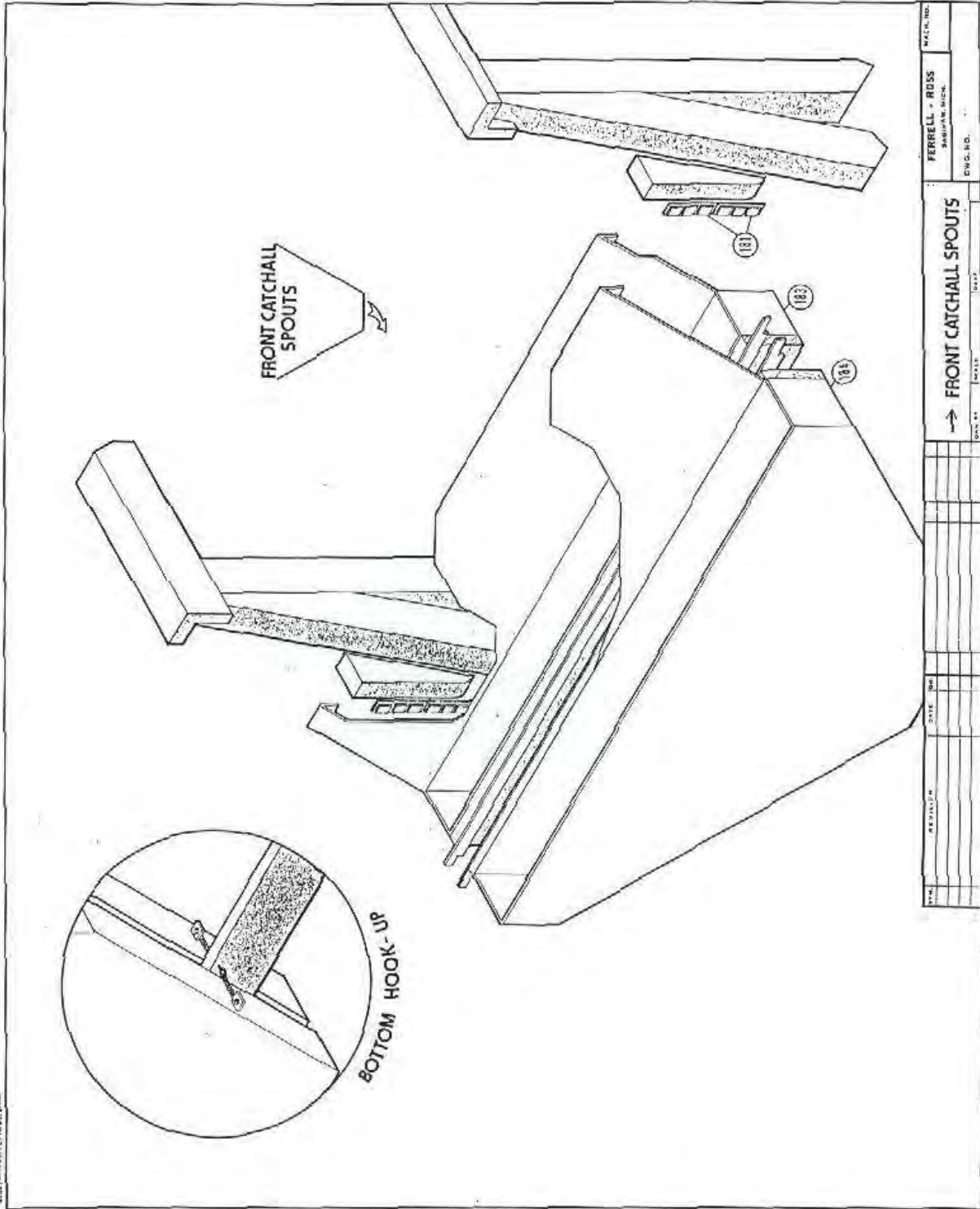


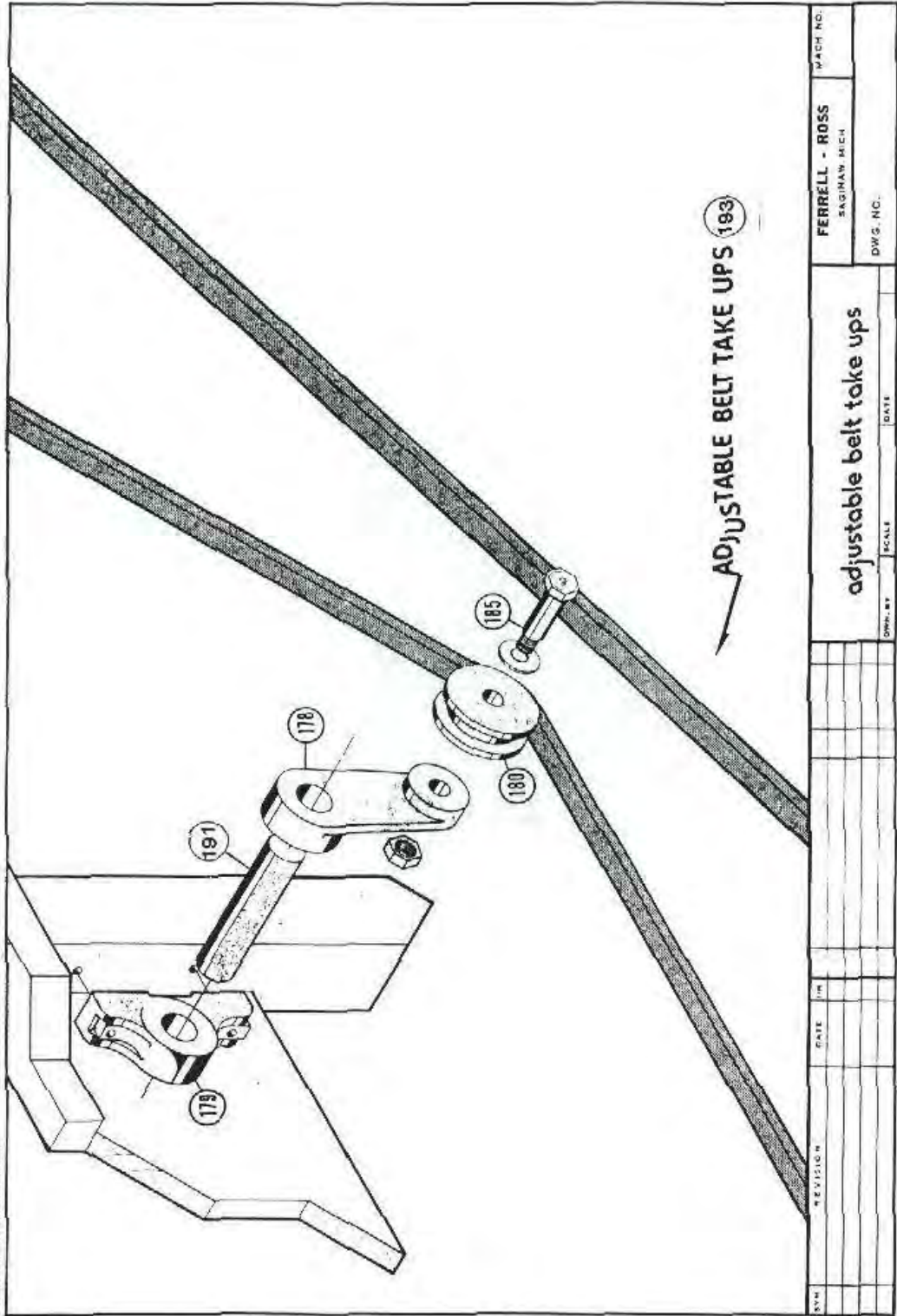
← bottom shoe

### ARRANGEMENT FOR TELESCOPIC APRONS

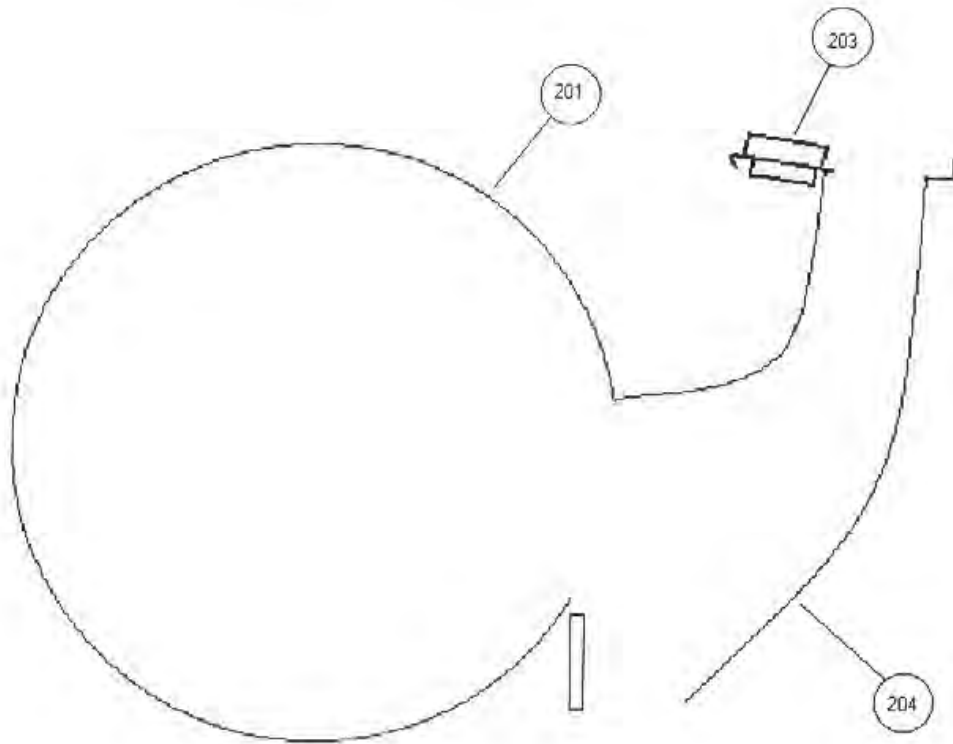
SYM.	REVISION	DATE	BY	SCALE	DATE	FERRELL - ROSS		MECH. NO.
						SAGINAW, MICH.	DWG. NO.	
						aprons, arrangement for telescopic		
						DRAWN BY		

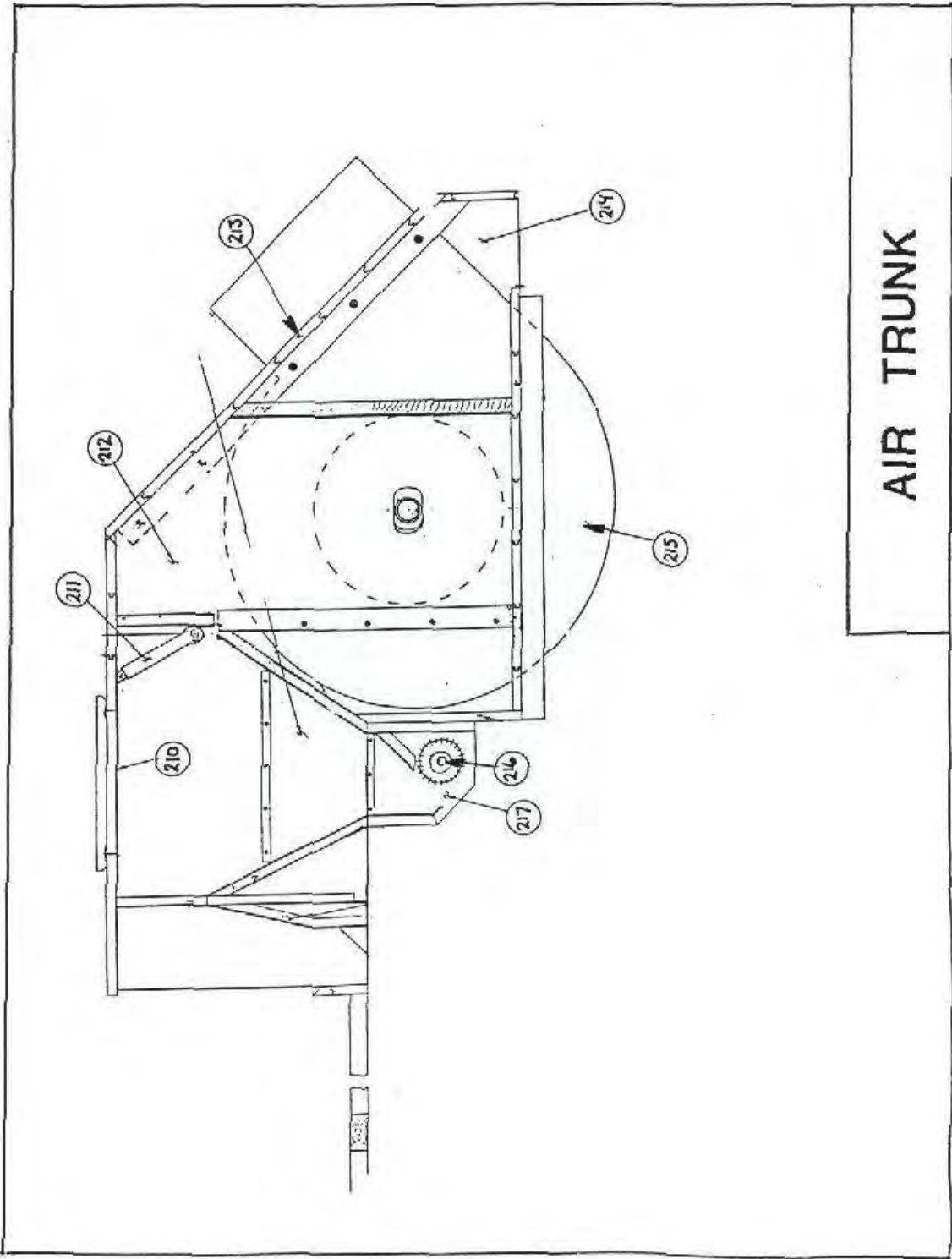






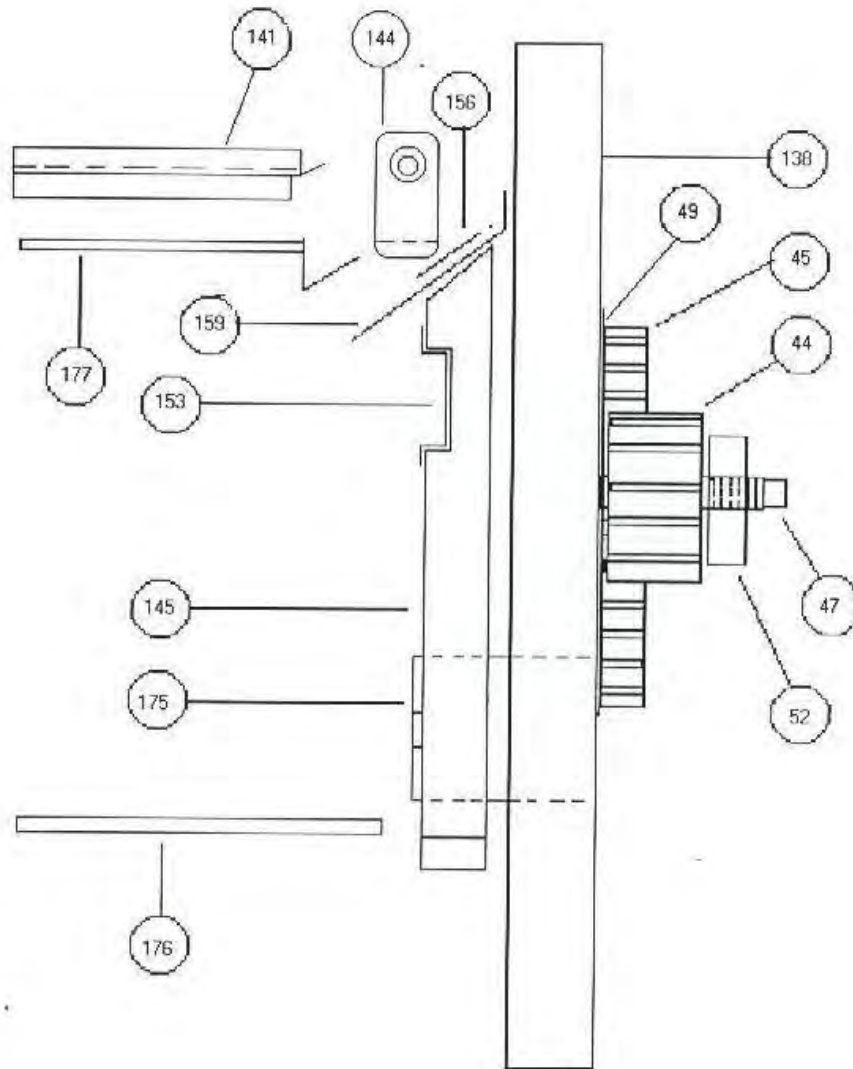
# Bottom Fan Metal

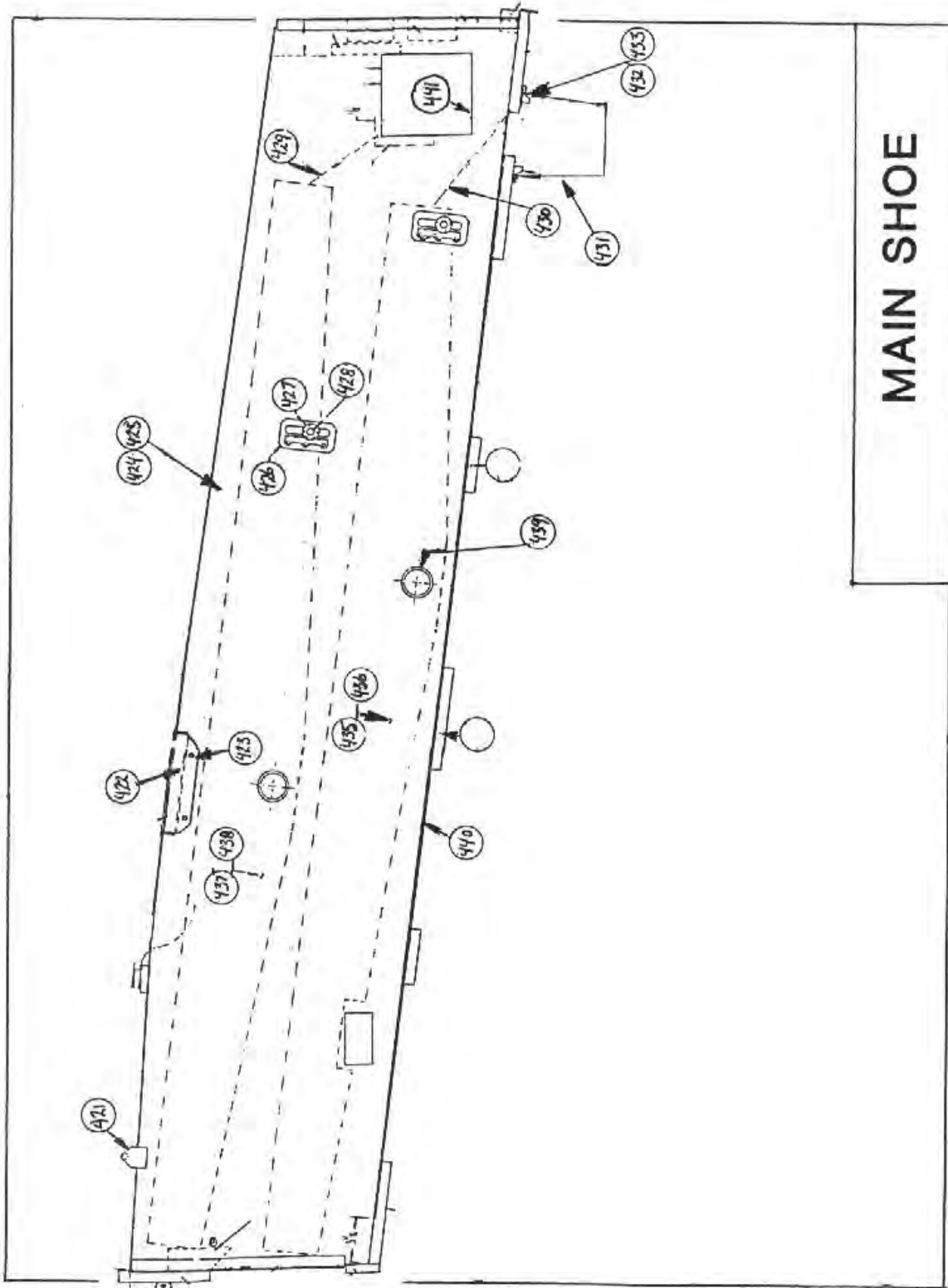




AIR TRUNK

# Rocker Assembly View Brush Style





# Scalper Shoe Assembly View

## Brush Style

