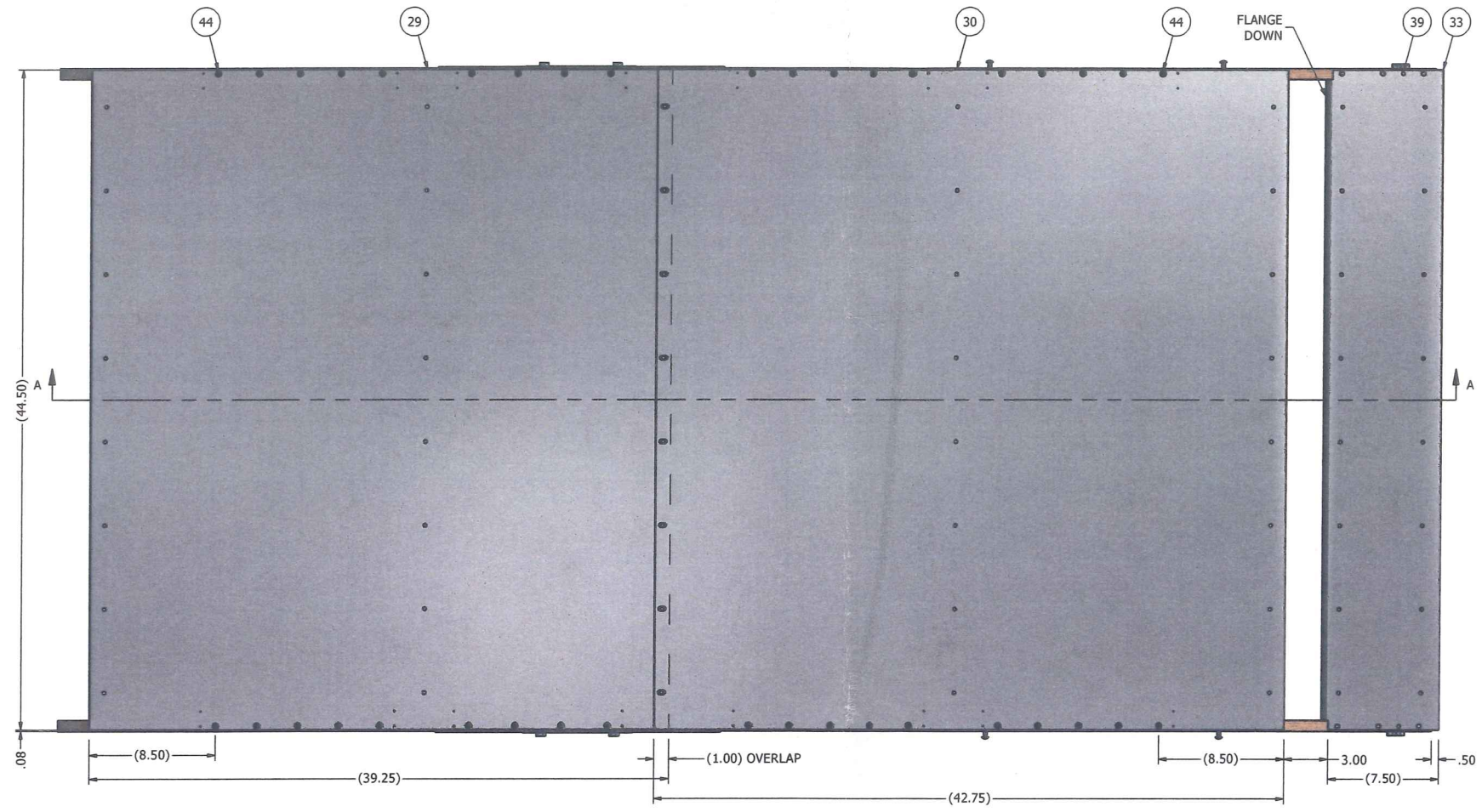
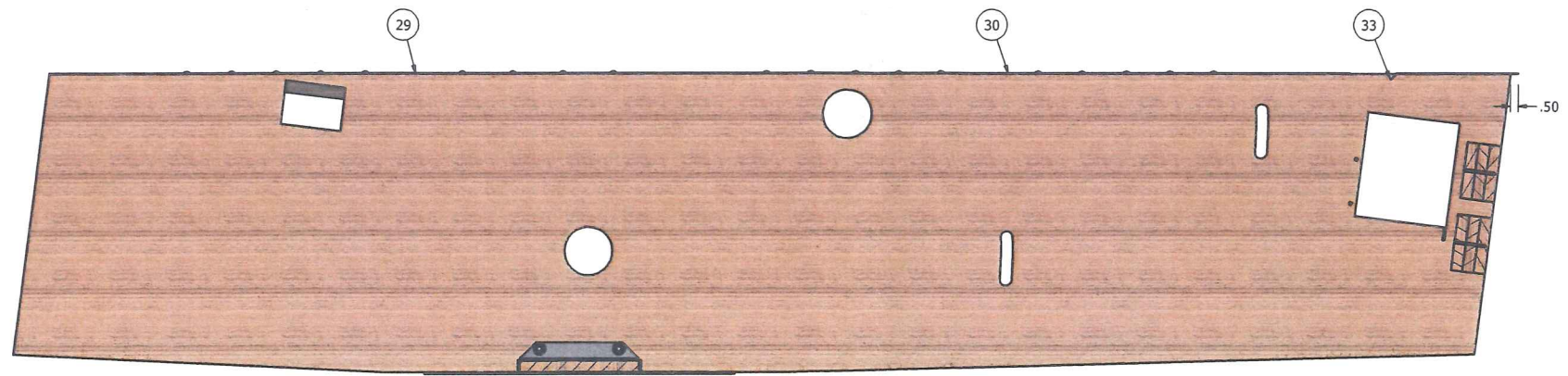


REVISION HISTORY				
REV	ECN	DESCRIPTION	DATE	APPROVED
A	XXXXXX	RELEASE	5/21/1957	DR
B	XXXXXX	9.00, 11.50 & 11.63 WAS 7.50, 12.25 & 12.38"	7/29/1974	M
C	F120091	REDRAWN CAD, F03321311 WAS F03127102(1), F03321310(1) & F03322802(2)	8/31/2012	dmjohnson



BOTTOM VIEW, STEP 2
SCALE 3/16
BOTTOM METAL INSTALLATION



SECTION A-A
SCALE 3/16

ITEM	PART NUMBER	QTY	DESCRIPTION
46	F91152006	3.760 ft	BELTING, 1-PLY .06X2.50X45.13"
45	F84212122	4	SMS, FLT X HD #8 X 3/4"
44	F83453402	94	SMS, PAN X HD, #8 X 3/4"
43	F83451201	32	SMS, PAN X HD, #8 X 1/2"
42	F83450101	12	SMS, PAN X HD, #8 X 1.00"
41	F83440302	12	SMS, FLAT CROSS HEAD #10 X 1.75"
40	F83440301	19	SMS, FLAT CROSS HEAD #10 X 1.50"
39	F82400002	15	NAIL, 14 GA X 3/4" THRD, 7/32" HD T304SS
38	F82071401	2	STUD, DOWEL 1/4-20 X 2.50"
37	F11308052	1	BOARD, FRONT LOWER, SHOE, SX29D
36	F11303842	2	BRACKET, PITMAN BOARD, 7.50"
35	F03328700	2	DEFLECTOR, GRAIN 2.50 X 2.00"
34	F03323114	1	COVER, PITMAN BOARD 44.67", 29D
33	F03323010	1	METAL, BOTTOM NOSING, BOTTOM SHOE, X29D
32	F03321311	1	DOOR ASSY, BTM SHOE GRAIN DEFLECTOR, SX29D
31	F03320500	2	END IRON, BOTTOM SHOE, X29D/X298D
30	F03320441	1	METAL, BOTTOM REAR, BOTTOM SHOE, X29D
29	F03320431	1	METAL, BOTTOM FRONT, BOTTOM SHOE, X29D
28	F03301001	2	SLIDE, SPOUT, SHOE, 29D
27	F03300500	2	STRAP, PITMAN, SHOE SIDE, 29D/298D
26	F03300300	2	END IRON, BOTTOM SHOE, 29D/298D
25	F03124302	1	BOARD, REAR, SPOUT GIRT, X29D
24	F03124200	1	BOARD, FNT, SPOUT GIRT, BTM SHOE, SX29D
23	F03124100	2	BOARD, BOTTOM CROSS 4.00", SX29D
22	F03124000	3	BOARD, CROSS, BOTTOM SPOUT, SX29D
21	F03123902	1	BOARD, PITMAN, SX29D
20	F03123802	1	SIDE, SHOE, LH BTM, RH DISCH, X29D/X298D
19	F03123801	1	SIDE, SHOE, RH BTM, RH DISCH, X29D/X298D
18	F03101811	2	BOARD ASSY, HANGER 3.50 X #9
17	F03101710	2	BOARD, SPOUT TRACK, 29D
16	F03101504	1	BOARD, BOTTOM NOSING, SHOE, X29D
15	F03002802	1	GIRT WLDMT, SHOE, X29D
14	F01805202	4	WASHER, FLAT .406 X 1.50 X .12
13	F01801700	4	PLATE, ESCUTCHION, TILT ROD ROCKER
12	F01200300	4	RACK, STRAIGHT ROCKER ADJUSTING
11	70010521	32	SCW, DECK FLT HD #6 X 2.00"
10	66784400	4	NUT, HEX SERR LOCK 3/8-16
9	66444400	4	WASHER, LOCK HELICAL 3/8"
8	66443300	2	WASHER, LOCK HELICAL 1/4"
7	66404400	4	WASHER, FLAT 3/8" NARROW TYPE A
6	66403300	2	WASHER, FLAT, 1/4"
5	66363300	2	NUT, WING 1/4-20 TYPE B STYLE 1
4	66084400	4	NUT, HEX 3/8-16
3	65852226	15	SMS, FLT X HD #8 X 1.25"
2	62584442	4	HHCS, 3/8-16 X 3.00"
1	62584428	4	HHCS, 3/8-16 X 1.50"

CLIPPER
A.T. FERRELL COMPANY
1440 S ADAMS ST
BLUFFTON, INDIANA
46714 - USA
PH: 260-824-3400
FAX: 260-824-5463

This drawing is the property of the A.T. Ferrell Company, Inc. and must be returned immediately upon request. No part of this drawing may be reproduced, stored in a retrieval system or transmitted in any form or by any means, without prior written consent of the A.T. Ferrell Company, Inc.

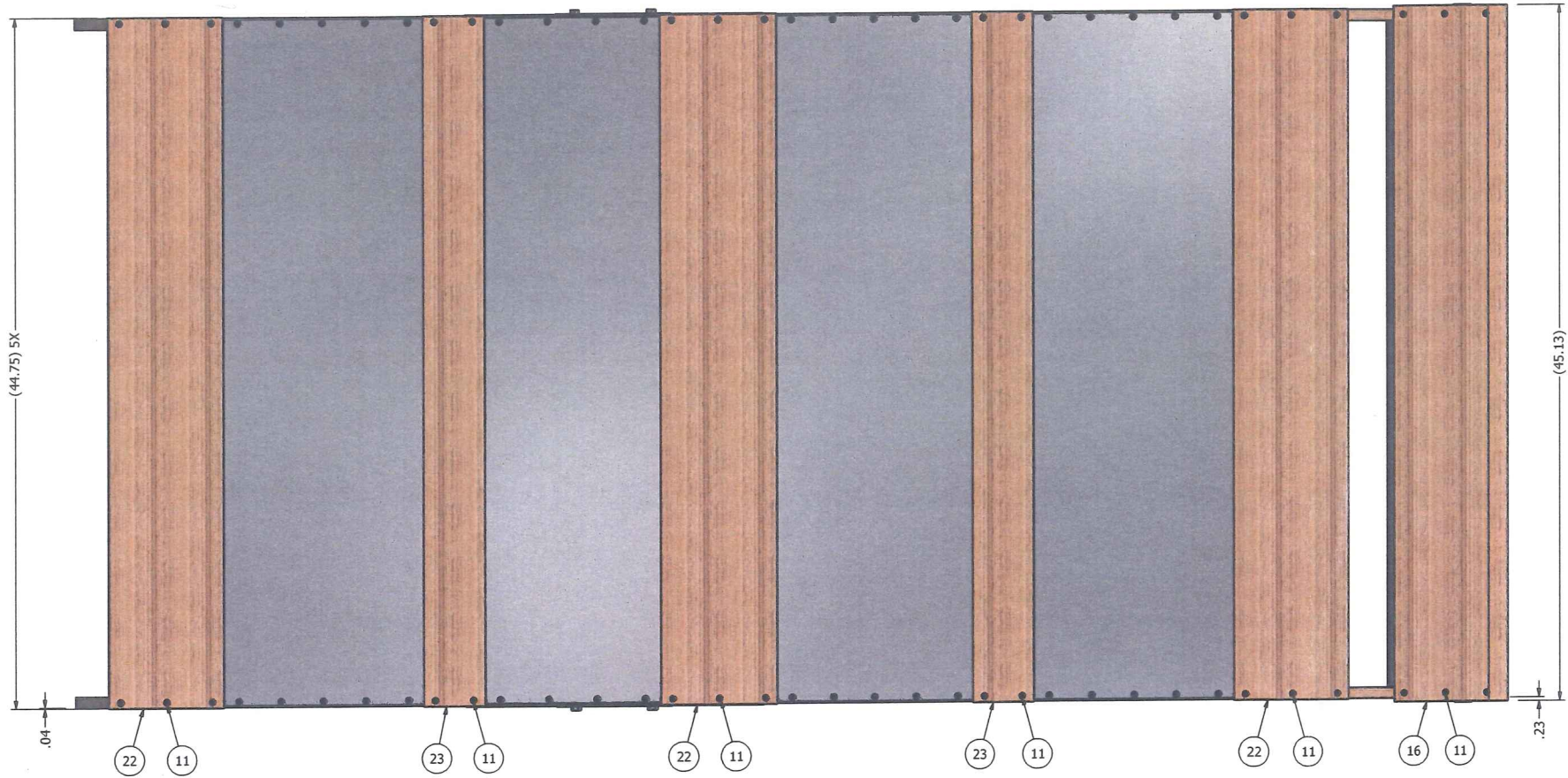
DRAWN BY: dmjohnson
DRAWN DATE: 8/31/2012
APPROVED BY: DMJ

TOLERANCES EXCEPT AS NOTED:	DECIMAL: .001	FRACTIONAL: 1/32	ANGULAR: ± 1/2°	FINISH: NONE
TITLE: SHOE ASSY, BOTTOM RH, SX29D				
CAD NO MANUAL CHANGES	SCALE: 1:4	SHEET: 2 OF 5	SIZE: D	PART NUMBER: F03013200

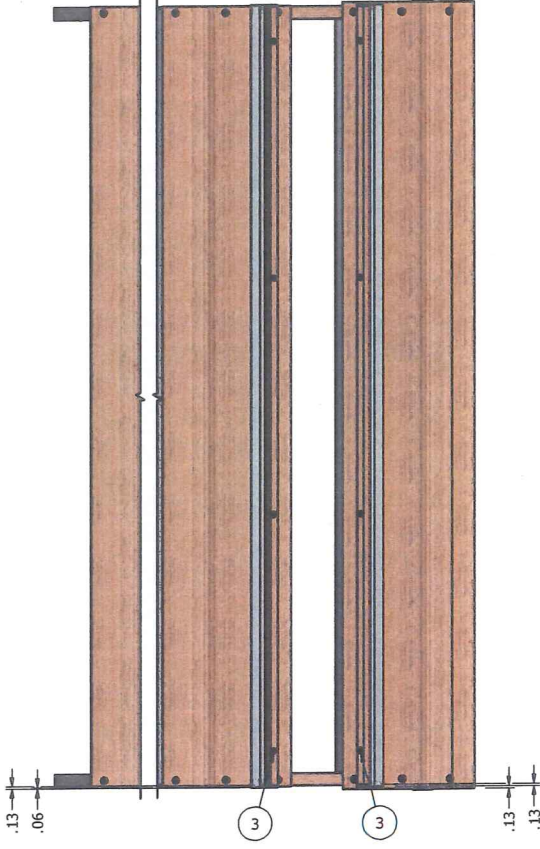
NOTES:
1. DO NOT SCALE FROM DRAWING.

F03013200

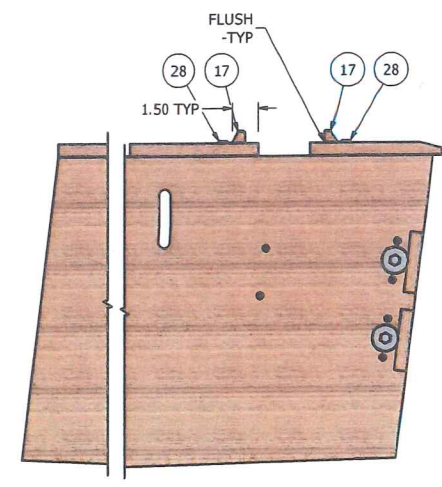
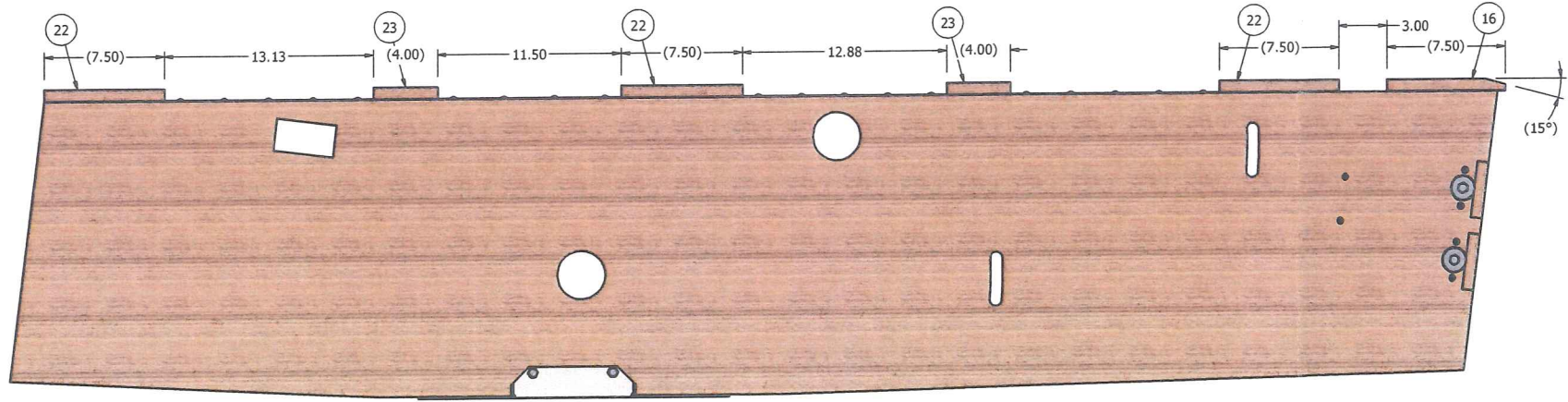
REVISION HISTORY				
REV	ECN	DESCRIPTION	DATE	APPROVED
A	XXXXXX	RELEASE	5/21/1957	DR
B	XXXXXX	9.00, 11.50 & 11.63 WAS 7.50, 12.25 & 12.38"	7/29/1974	M
C	F120091	REDRAWN CAD, F03321311 WAS F03127102(1), F03321310(1) & F03322802(2)	8/31/2012	dmjohnson



BOTTOM VIEW, STEP 3
SCALE 3/16
BOTTOM CROSS BOARD INSTALLATION



BOTTOM VIEW, STEP 4
SCALE 3/16
SPOUT TRACK INSTALLATION



46	F91152006	3.760	ft	BELTING, 1-PLY .06X2.50X45.13"
45	F84212122	4		SMS, FLT X HD #8 X 3/4"
44	F83453402	94		SMS, PAN X HD, #8 X 3/4"
43	F83451201	32		SMS, PAN X HD, #8 X 1/2"
42	F83450101	12		SMS, PAN X HD, #8 X 1.00"
41	F83440302	12		SMS, FLAT CROSS HEAD #10 X 1.75"
40	F83440301	19		SMS, FLAT CROSS HEAD #10 X 1.50"
39	F82400002	15		NAIL, 14 GA X 3/4" THRD, 7/32" HD T304SS
38	F82071401	2		STUD, DOWEL 1/4-20 X 2.50"
37	F11308052	1		BOARD, FRONT LOWER, SHOE, SX29D
36	F11303842	2		BRACKET, PITMAN BOARD, 7.50"
35	F03328700	2		DEFLECTOR, GRAIN 2.50 X 2.00"
34	F03323114	1		COVER, PITMAN BOARD 44.67", 29D
33	F03323010	1		METAL, BOTTOM NOSING, BOTTOM SHOE, X29D
32	F03321311	1		DOOR ASSY, BTM SHOE GRAIN DEFLECTOR, SX29D
31	F03320500	2		END IRON, BOTTOM SHOE, X29D/X298D
30	F03320441	1		METAL, BOTTOM REAR, BOTTOM SHOE, X29D
29	F03320431	1		METAL, BOTTOM FRONT, BOTTOM SHOE, X29D
28	F03301001	2		SLIDE, SPOUT, SHOE, 29D
27	F03300500	2		STRAP, PITMAN, SHOE SIDE, 29D/298D
26	F03300300	2		END IRON, BOTTOM SHOE, 29D/298D
25	F03124302	1		BOARD, REAR, SPOUT GIRT, X29D
24	F03124200	1		BOARD, FNT, SPOUT GIRT, BTM SHOE, SX29D
23	F03124100	2		BOARD, BOTTOM CROSS 4.00", SX29D
22	F03124000	3		BOARD, CROSS, BOTTOM SPOUT, SX29D
21	F03123902	1		BOARD, PITMAN, SX29D
20	F03123802	1		SIDE, SHOE, LH BTM, RH DISCH, X29D/X298D
19	F03123801	1		SIDE, SHOE, RH BTM, RH DISCH, X29D/X298D
18	F03101811	2		BOARD ASSY, HANGER 3.50 X #9
17	F03101710	2		BOARD, SPOUT TRACK, 29D
16	F03101504	1		BOARD, BOTTOM NOSING, SHOE, X29D
15	F03002802	1		GIRT WLDMT, SHOE, X29D
14	F01805202	4		WASHER, FLAT .406 X 1.50 X .12
13	F01801700	4		PLATE, ESCUTCHCHEON, TILT ROD ROCKER
12	F01200300	4		RACK, STRAIGHT ROCKER ADJUSTING
11	70010521	32		SCW, DECK FLT HD #6 X 2.00"
10	66784400	4		NUT, HEX SERR LOCK 3/8-16
9	66444400	4		WASHER, LOCK HELICAL 3/8"
8	66443300	2		WASHER, LOCK HELICAL 1/4"
7	66404400	4		WASHER, FLAT 3/8" NARROW TYPE A
6	66403300	2		WASHER, FLAT, 1/4"
5	66363300	2		NUT, WING 1/4-20 TYPE B STYLE 1
4	66084400	4		NUT, HEX 3/8-16
3	65852226	15		SMS, FLT X HD #8 X 1.25"
2	62584442	4		HHCS, 3/8-16 X 3.00"
1	62584428	4		HHCS, 3/8-16 X 1.50"

CLIPPER
SINCE 1889

1440 S ADAMS ST
BLUFFTON, INDIANA
46714 - USA
PH: 260-824-3400
FAX: 260-824-5463

Division of
A.T. FERRELL COMPANY
1440 S ADAMS ST
BLUFFTON, INDIANA
46714 - USA
PH: 260-824-3400
FAX: 260-824-5463

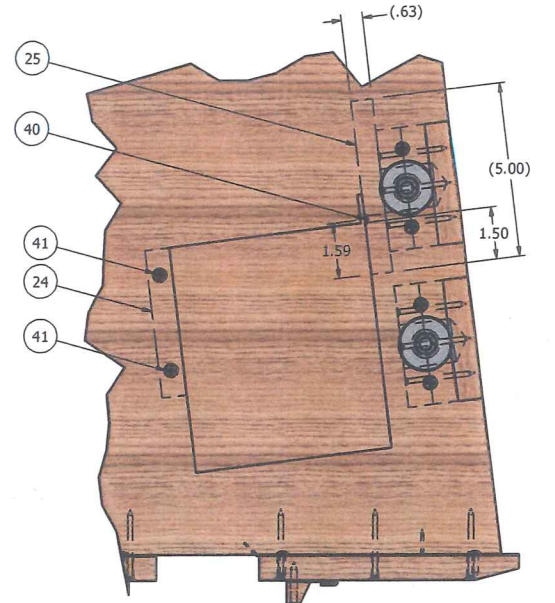
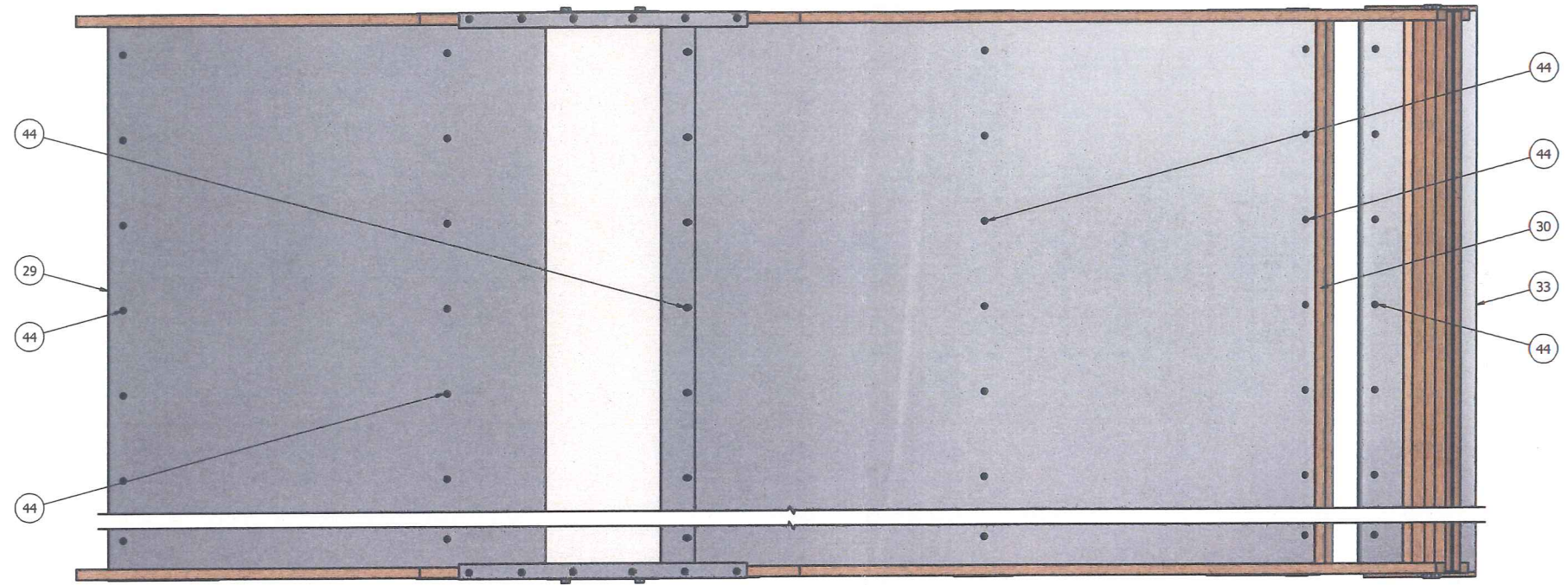
This drawing is the property of the A.T. Ferrell Company, Inc and must be returned immediately upon request.
No part of this drawing may be reproduced, stored in a retrieval system or transmitted in any form or by any means, without prior written consent of the A.T. Ferrell Company, Inc.

DRAWN BY: dmjohnson
DRAWN DATE: 8/31/2012
APPROVED BY: DMJ

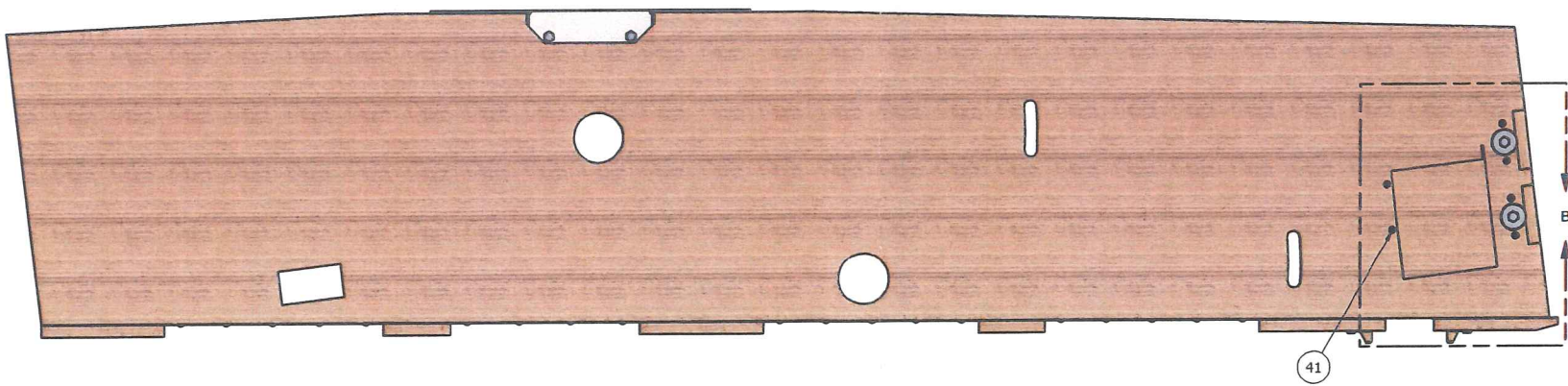
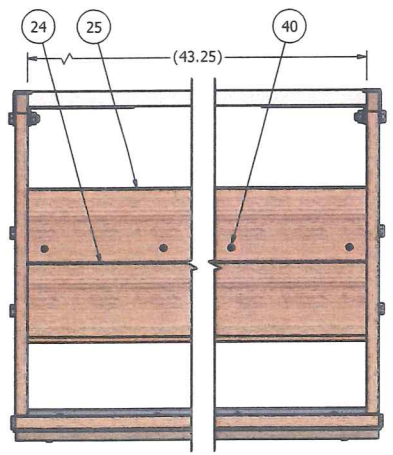
TOLERANCES EXCEPT AS NOTED		TITLE: SHOE ASSY, BOTTOM RH, SX29D	
DECIMAL: .001	FRACTIONAL: 1/32	FINISH: NONE	SCALE: 1:4
XX ± .030	ANGULAR: ± 1/2°	SIZE: D	SHEET: 3 OF 5
XXX ± .005	ANGULAR: ± 1/2°	PART NUMBER: F03013200	REV: C
XXXX ± .001			

NOTES:
1. DO NOT SCALE FROM DRAWING.


REVISION HISTORY				
REV	ECN	DESCRIPTION	DATE	APPROVED
A	XXXXXX	RELEASE	5/21/1957	DR
B	XXXXXX	9.00, 11.50 & 11.63 WAS 7.50, 12.25 & 12.38"	7/29/1974	M
C	F120091	REDRAWN CAD, F03321311 WAS F03127102(1), F03321310(1) & F03322802(2)	8/31/2012	dmjohnson



ITEM	PART NUMBER	QTY	DESCRIPTION
46	F91152006	3.760 ft	BELTING, 1-PLY .06X2.50X45.13"
45	F84212122	4	SMS, FLT X HD #8 X 3/4"
44	F83453402	94	SMS, PAN X HD, #8 X 3/4"
43	F83451201	32	SMS, PAN X HD, #8 X 1/2"
42	F83450101	12	SMS, PAN X HD, #8 X 1.00"
41	F83440302	12	SMS, FLAT CROSS HEAD #10 X 1.75"
40	F83440301	19	SMS, FLAT CROSS HEAD #10 X 1.50"
39	F82400002	15	NAIL, 14 GA X 3/4" THRD, 7/32" HD T304SS
38	F82071401	2	STUD, DOWEL 1/4-20 X 2.50"
37	F11308052	1	BOARD, FRONT LOWER, SHOE, SX29D
36	F11303842	2	BRACKET, PITMAN BOARD, 7.50"
35	F03328700	2	DEFLECTOR, GRAIN 2.50 X 2.00"
34	F03323114	1	COVER, PITMAN BOARD 44.67", 29D
33	F03323010	1	METAL, BOTTOM NOSING, BOTTOM SHOE, X29D
32	F03321311	1	DOOR ASSY, BTM SHOE GRAIN DEFLECTOR, SX29D
31	F03320500	2	END IRON, BOTTOM SHOE, X29D/X298D
30	F03320441	1	METAL, BOTTOM REAR, BOTTOM SHOE, X29D
29	F03320431	1	METAL, BOTTOM FRONT, BOTTOM SHOE, X29D
28	F03301001	2	SLIDE, SPOUT, SHOE, 29D
27	F03300500	2	STRAP, PITMAN, SHOE SIDE, 29D/298D
26	F03300300	2	END IRON, BOTTOM SHOE, 29D/298D
25	F03124302	1	BOARD, REAR, SPOUT GIRT, X29D
24	F03124200	1	BOARD, FNT, SPOUT GIRT, BTM SHOE, SX29D
23	F03124100	2	BOARD, BOTTOM CROSS 4.00", SX29D
22	F03124000	3	BOARD, CROSS, BOTTOM SPOUT, SX29D
21	F03123902	1	BOARD, PITMAN, SX29D
20	F03123802	1	SIDE, SHOE, LH BTM, RH DISCH, X29D/X298D
19	F03123801	1	SIDE, SHOE, RH BTM, RH DISCH, X29D/X298D
18	F03101811	2	BOARD ASSY, HANGER 3.50 X #9
17	F03101710	2	BOARD, SPOUT TRACK, 29D
16	F03101504	1	BOARD, BOTTOM NOSING, SHOE, X29D
15	F03002802	1	GIRT WLDMT, SHOE, X29D
14	F01805202	4	WASHER, FLAT .406 X 1.50 X .12
13	F01801700	4	PLATE, ESCUTCHION, TILT ROD ROCKER
12	F01200300	4	RACK, STRAIGHT ROCKER ADJUSTING
11	70010521	32	SCW, DECK FLT HD #6 X 2.00"
10	66784400	4	NUT, HEX SERR LOCK 3/8-16
9	66444400	4	WASHER, LOCK HELICAL 3/8"
8	66443300	2	WASHER, LOCK HELICAL 1/4"
7	66404400	4	WASHER, FLAT 3/8" NARROW TYPE A
6	66403300	2	WASHER, FLAT, 1/4"
5	66363300	2	NUT, WING 1/4-20 TYPE B STYLE 1
4	66084400	4	NUT, HEX 3/8-16
3	65852226	15	SMS, FLT X HD #8 X 1.25"
2	62584442	4	HHCS, 3/8-16 X 3.00"
1	62584428	4	HHCS, 3/8-16 X 1.50"



NOTES:
1. DO NOT SCALE FROM DRAWING.



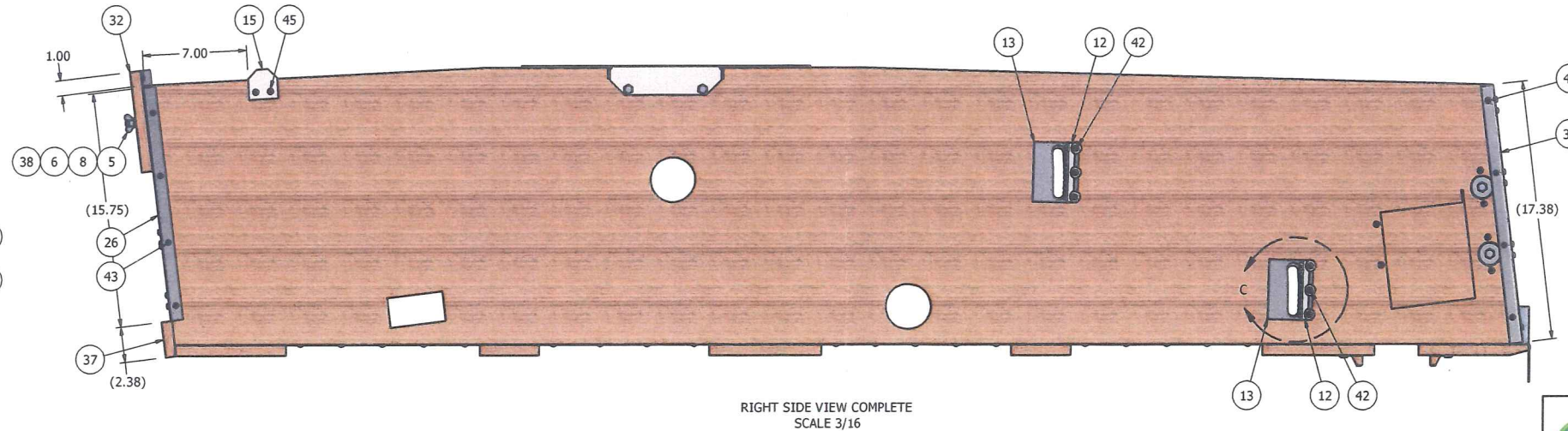
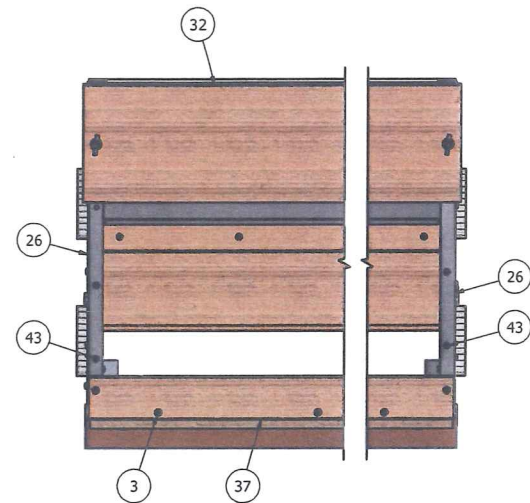
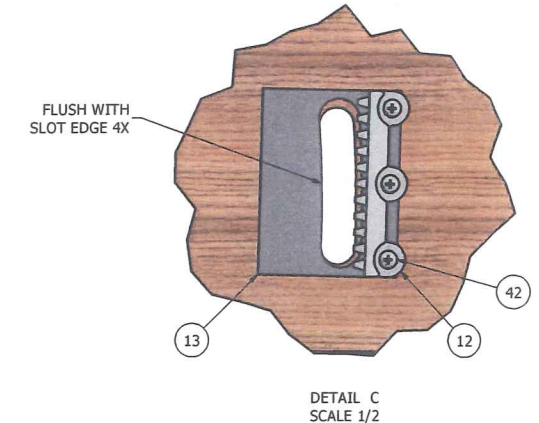
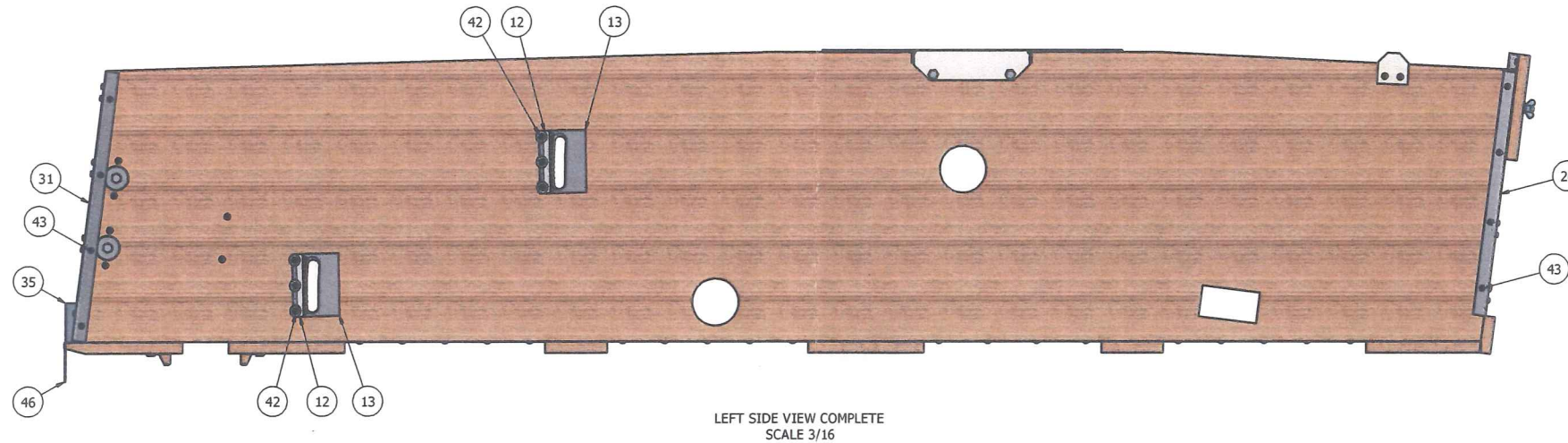
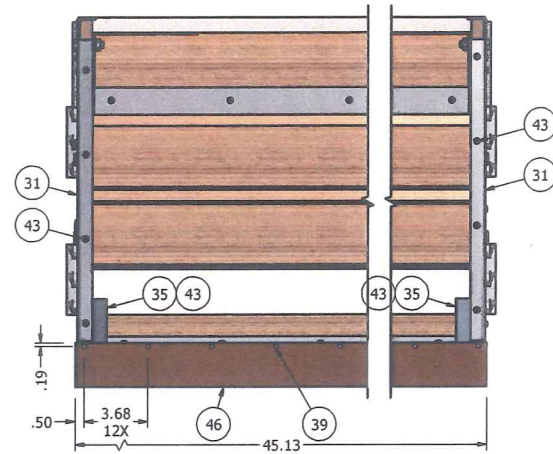
COPPER
SPECIALTY PRODUCTS
SINCE 1864

DIVISION OF
A.T. FERRELL COMPANY
1440 S ADAMS ST
BLUFFTON, INDIANA
46714 - USA
PH: 260-824-3400
FAX: 260-824-5483

This drawing is the property of the A.T. Ferrell Company, Inc. and must be returned immediately upon request. No part of this drawing may be reproduced, stored in a retrieval system or transmitted in any form or by any means, without prior written consent of the A.T. Ferrell Company, Inc.

TOLERANCES EXCEPT AS NOTED		TITLE	
DECIMAL: XX ± .030	FRACTIONAL: ± 1/32	SHOE ASSY, BOTTOM RH, SX29D	
XXX ± .005 ANGULAR:		FINISH:	
XXXX ± .001		NONE	
CAD NO MANUAL CHANGES	SCALE: 1:4	SHEET: 4 OF 5	SIZE: D PART NUMBER: F03013200
			REV: C

REV	ECN	DESCRIPTION	DATE	APPROVED
A	XXXXXX	RELEASE	5/21/1957	DR
B	XXXXXX	9.00, 11.50 & 11.63 WAS 7.50, 12.25 & 12.38"	7/29/1974	M
C	F120091	REDRAWN CAD, F03321311 WAS F03127102(1), F03321310(1) & F03322802(2)	8/31/2012	dmjohnson



46	F91152006	3.760 ft	BELTING, 1-PLY .06X2.50X45.13"
45	F84212122	4	SMS, FLT X HD #8 X 3/4"
44	F83453402	94	SMS, PAN X HD, #8 X 3/4"
43	F83451201	32	SMS, PAN X HD, #8 X 1/2"
42	F83450101	12	SMS, PAN X HD, #8 X 1.00"
41	F83440302	12	SMS, FLAT CROSS HEAD #10 X 1.75"
40	F83440301	19	SMS, FLAT CROSS HEAD #10 X 1.50"
39	F82400002	15	NAIL, 14 GA X 3/4" THRD, 7/32" HD T304SS
38	F82071401	2	STUD, DOWEL 1/4-20 X 2.50"
37	F11308052	1	BOARD, FRONT LOWER, SHOE, SX29D
36	F11303842	2	BRACKET, PITMAN BOARD, 7.50"
35	F03328700	2	DEFLECTOR, GRAIN 2.50 X 2.00"
34	F03323114	1	COVER, PITMAN BOARD 44.67", 29D
33	F03323010	1	METAL, BOTTOM NOSING, BOTTOM SHOE, X29D
32	F03321311	1	DOOR ASSY, BTM SHOE GRAIN DEFLECTOR, SX29D
31	F03320500	2	END IRON, BOTTOM SHOE, X29D/X298D
30	F03320441	1	METAL, BOTTOM REAR, BOTTOM SHOE, X29D
29	F03320431	1	METAL, BOTTOM FRONT, BOTTOM SHOE, X29D
28	F03301001	2	SLIDE, SPOUT, SHOE, 29D
27	F03300500	2	STRAP, PITMAN, SHOE SIDE, 29D/298D
26	F03300300	2	END IRON, BOTTOM SHOE, 29D/298D
25	F03124302	1	BOARD, REAR, SPOUT GIRT, X29D
24	F03124200	1	BOARD, FNT, SPOUT GIRT, BTM SHOE, SX29D
23	F03124100	2	BOARD, BOTTOM CROSS 4.00", SX29D
22	F03124000	3	BOARD, CROSS, BOTTOM SPOUT, SX29D
21	F03123902	1	BOARD, PITMAN, SX29D
20	F03123802	1	SIDE, SHOE, LH BTM, RH DISCH, X29D/X298D
19	F03123801	1	SIDE, SHOE, RH BTM, RH DISCH, X29D/X298D
18	F03101811	2	BOARD ASSY, HANGER 3.50 X #9
17	F03101710	2	BOARD, SPOUT TRACK, 29D
16	F03101504	1	BOARD, BOTTOM NOSING, SHOE, X29D
15	F03002802	1	GIRT WLDMT, SHOE, X29D
14	F01805202	4	WASHER, FLAT .406 X 1.50 X .12
13	F01801700	4	PLATE, ESCUTCHCHEON, TILT ROD ROCKER
12	F01200300	4	RACK, STRAIGHT ROCKER ADJUSTING
11	70010521	32	SCW, DECK FLT HD #6 X 2.00"
10	66784400	4	NUT, HEX SERR LOCK 3/8-16
9	66444400	4	WASHER, LOCK HELICAL 3/8"
8	66443300	2	WASHER, LOCK HELICAL 1/4"
7	66404400	4	WASHER, FLAT 3/8" NARROW TYPE A
6	66403300	2	WASHER, FLAT, 1/4"
5	66363300	2	NUT, WING 1/4-20 TYPE B STYLE 1
4	66084400	4	NUT, HEX 3/8-16
3	65852226	15	SMS, FLT X HD #8 X 1.25"
2	62584442	4	HHCS, 3/8-16 X 3.00"
1	62584428	4	HHCS, 3/8-16 X 1.50"

CLIPPER
SEPARATION TECHNOLOGIES
SINCE 1889

DIVISION OF
A.T.FERRELL COMPANY
1440 S ADAMS ST
BLUFFTON, INDIANA
46714 - USA
PH: 280-824-3400
FAX: 280-824-5463

This drawing is the property of the A.T. Ferrell Company, Inc and must be returned immediately upon request.
No part of this drawing may be reproduced, stored in a retrieval system or transmitted in any form or by any means, without prior written consent of the A.T. Ferrell Company, Inc.

DRAWN BY: dmjohnson
DRAWN DATE: 8/31/2012
APPROVED BY: DMJ

TOLERANCES EXCEPT AS NOTED:
DECIMAL: ± .030
FRACTIONAL: ± 1/32
XXX ± .005
ANGULAR: ± 12"
XXXX ± .001

FINISH: NONE

TITLE: SHOE ASSY, BOTTOM RH, SX29D

CAD NO MANUAL CHANGES

SCALE: 1:4
SHEET: 5 OF 5
SIZE: D
PART NUMBER: F03013200
REV: C

NOTES:
1. DO NOT SCALE FROM DRAWING.