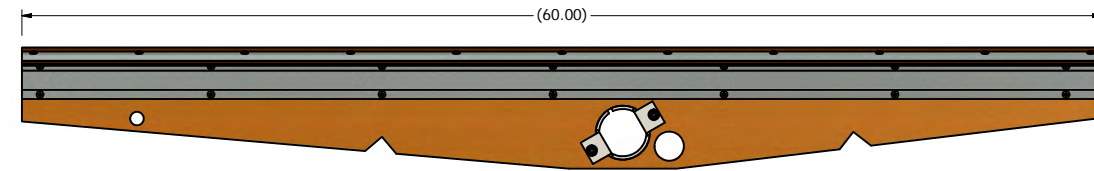
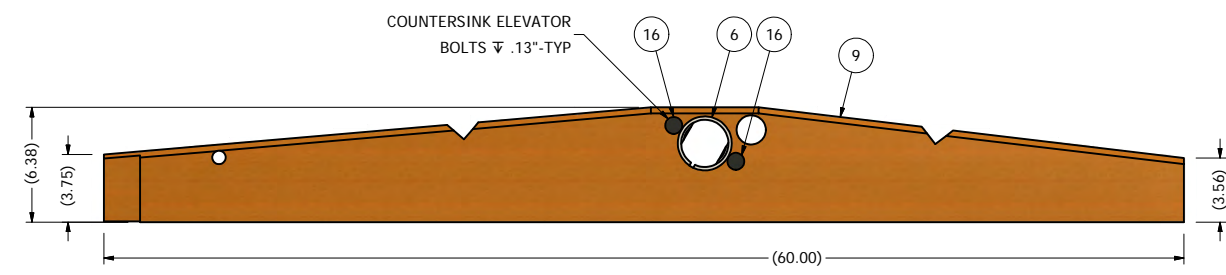


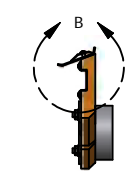
| REVISION HISTORY | | | | |
|------------------|---------|--|-----------|-----------|
| REV | ECN | DESCRIPTION | DATE | APPROVED |
| A | XXXXXX | RELEASE | 2/26/1951 | RH |
| B | F130043 | REDRAWN CAD, WAS C SIZE GROUP DRAWING, F03143210, F03806000 WAS F03143200 & F03803400, ADD F03505800 | 3/27/2013 | dmjohnson |



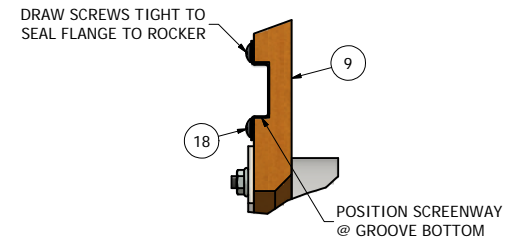
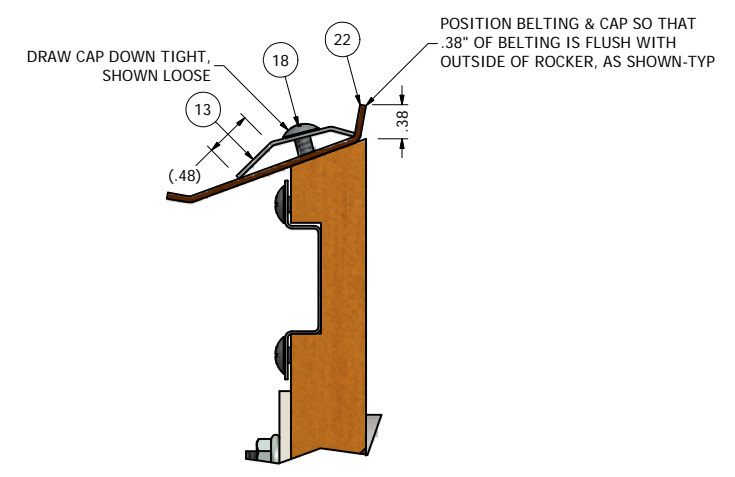
STEP 2: RIGHT ROCKER SIDE ASSEMBLY, LEFT SIDE VIEW
 TYPICAL ASSEMBLY FOR LEFT ROCKER SIDE



STEP 1: RIGHT ROCKER SIDE ASSEMBLY, LEFT SIDE VIEW
 TYPICAL ASSEMBLY FOR LEFT ROCKER SIDE



DETAIL B
 SCALE 1:1



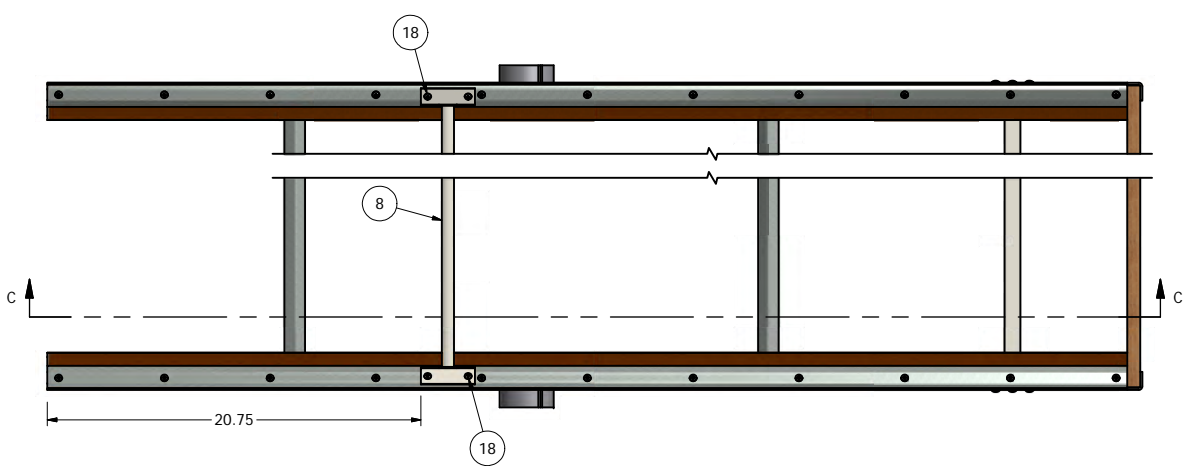
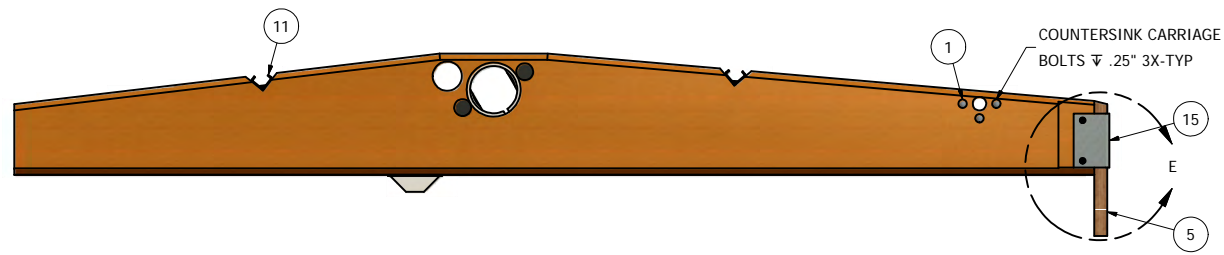
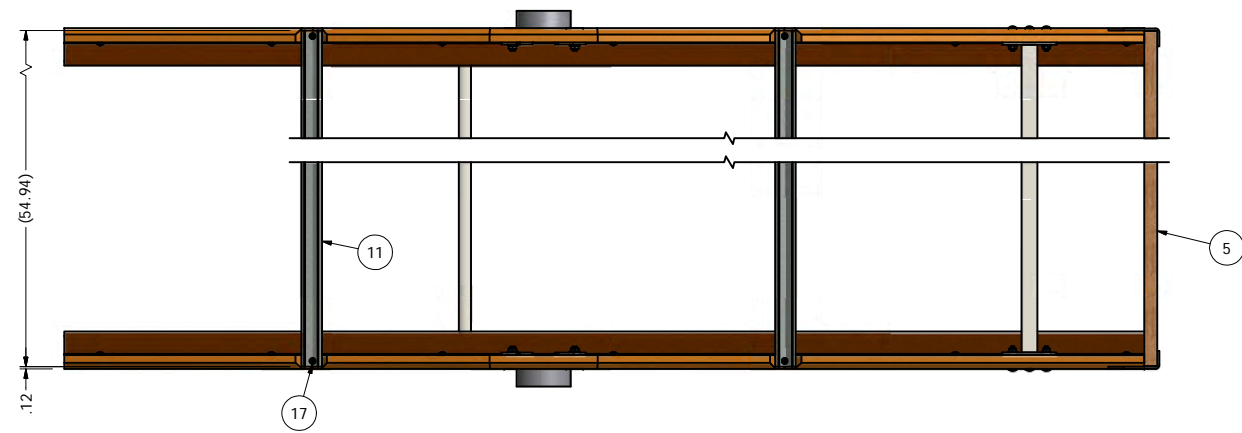
DETAIL A
 SCALE 1/2

| ITEM | PART NUMBER | QTY | DESCRIPTION |
|------|-------------|-----------|---|
| 22 | F91152006 | 10.333 ft | BELTING, 3 PLY FSXFS 2.50 X 62.00" |
| 21 | F90005301 | 1 | GIRT WLDMT, ROCKER ADJUSTMENT, CENTERED, #8 |
| 20 | F84212122 | 4 | SMS, FLT X HD #8 X 3/4" |
| 19 | F83453403 | 4 | SMS, PAN X HD, #10 X 3/4" |
| 18 | F83453402 | 63 | SMS, PAN X HD, #8 X 3/4" |
| 17 | F83440301 | 4 | SMS, FLAT CROSS HEAD #10 X 1.50" |
| 16 | F82021407 | 4 | BOLT, ELEV 1/4-20 X 1.25" |
| 15 | F03806000 | 2 | ANGLE, SCREEN STOP, ROCKER |
| 14 | F03801202 | 1 | SEAL, SCREEN, TOP ROCKER, 298D |
| 13 | F03801100 | 2 | CAP, RUBBER HOLDING, ROCKER, 60.00" |
| 12 | F03800413 | 2 | LINER, SCREENWAY, ROCKER, 60.00" |
| 11 | F03800001 | 2 | BRACE, BOTTOM, ROCKER, #8 |
| 10 | F03600100 | 1 | SIDE, LH, ROCKER, TOP SHOE, 29D/298D |
| 9 | F03600000 | 1 | SIDE, RH, ROCKER, TOP SHOE, 29D/298D |
| 8 | F03505805 | 1 | GIRT WLDMT, PIPE, ROCKER #8 |
| 7 | F03500800 | 2 | SCREEN HOOK ASSY, STANDARD |
| 6 | F03500600 | 2 | CUP WLDMT, ROCKER, HEAVY DUTY BRUSH |
| 5 | F03125201 | 1 | BOARD, BACK, TOP ROCKER, TOP SHOE, 298D |
| 4 | 66783300 | 4 | NUT, HEX SERR LOCK 1/4-20 |
| 3 | 66782600 | 6 | NUT, HEX SERR LOCK 10-24 |
| 2 | 65852226 | 4 | SMS, FLT X HD #8 X 1.25" |
| 1 | 60282626 | 6 | BOLT, CARR 10-24 X 1.25" |

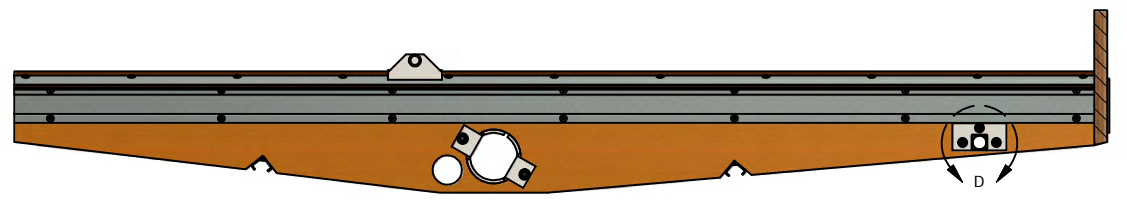
NOTES:
 1. DO NOT SCALE FROM DRAWING.
 2. ONE PIECE REQUIRED PER F03000004: SHOE ASSY, TOP W/ ROCKERS, 298D.

| | | | | | |
|---|--|--|---------------------|---------------------------|-----------|
| | DIVISION OF A.T.FERRELL COMPANY 1440 S ADAMS ST BLUFFTON, INDIANA 46714 - USA PH: 260-824-3400 FAX: 260-824-5463 | This drawing is the property of the A.T. Ferrell Company, Inc and must be returned immediately upon request. No part of this drawing may be reproduced, stored in a retrieval system or transmitted in any form or by any means, without prior written consent of the A.T. Ferrell Company, Inc. | | | |
| | DRAWN BY: dmjohnson | DRAWN DATE: 3/27/2013 | APPROVED BY: DMJ | | |
| TOLERANCES EXCEPT AS NOTED DECIMAL: .030 FRACTIONAL: 1/32 XX ± .030 XXX ± .005 XXXX ± .001 | FINISH: NONE | TITLE: ROCKER ASSY, TOP, TOP SHOE, 29 D | | | |
| CAD NO MANUAL CHANGES | SCALE: 0.19:1 | SHEET: 1 OF 3 | SIZE: D | PART NUMBER: F03500000 | REV: B |

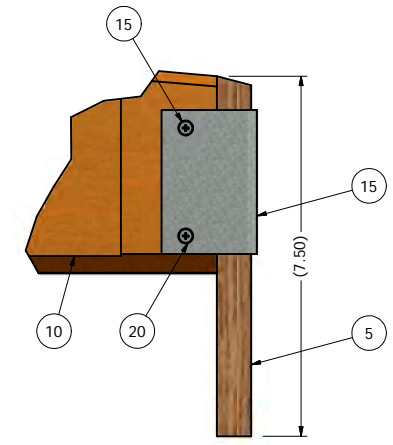
| REV | ECN | REVISION HISTORY | DATE | APPROVED |
|-----|---------|--|-----------|-----------|
| A | XXXXXX | RELEASE | 2/26/1951 | RH |
| B | F130043 | REDRAWN CAD, WAS C SIZE GROUP DRAWING, F03143210, F03806000 WAS F03143200 & F03803400, ADD F03505800 | 3/27/2013 | dmjohnson |



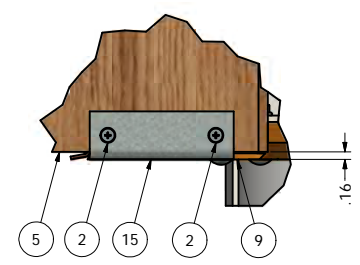
STEP 3: GIRT INSTALLATION, TOP VIEW



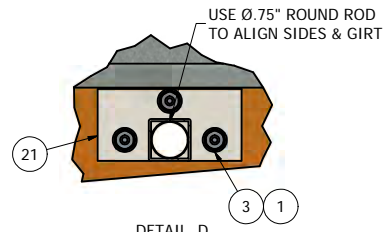
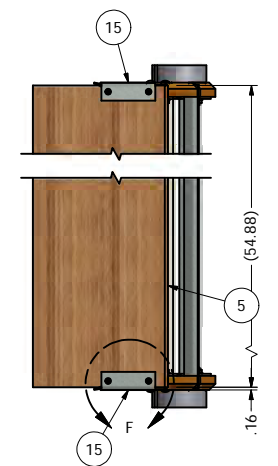
SECTION C-C



DETAIL E
SCALE 1/2




DETAIL F
SCALE 1/2



DETAIL D
SCALE 1/2

| ITEM | PART NUMBER | QTY | DESCRIPTION |
|------|-------------|--------|---|
| 22 | F91152006 | 10.333 | BELTING, 3 PLY FSXFS 2.50 X 62.00" |
| 21 | | 1 | GIRT WLDMT, ROCKER ADJUSTMENT, CENTERED, #8 |
| 20 | F84212122 | 4 | SMS, FLT X HD #8 X 3/4" |
| 19 | F83453403 | 4 | SMS, PAN X HD, #10 X 3/4" |
| 18 | F83453402 | 63 | SMS, PAN X HD, #8 X 3/4" |
| 17 | F83440301 | 4 | SMS, FLAT CROSS HEAD #10 X 1.50" |
| 16 | F82021407 | 4 | BOLT, ELEV 1/4-20 X 1.25" |
| 15 | F03806000 | 2 | ANGLE, SCREEN STOP, ROCKER |
| 14 | F03801202 | 1 | SEAL, SCREEN, TOP ROCKER, 298D |
| 13 | F03801100 | 2 | CAP, RUBBER HOLDING, ROCKER, 60.00" |
| 12 | F03800413 | 2 | LINER, SCREENWAY, ROCKER, 60.00" |
| 11 | | 2 | BRACE, BOTTOM, ROCKER, #8 |
| 10 | F03600100 | 1 | SIDE, LH, ROCKER, TOP SHOE, 29D/298D |
| 9 | F03600000 | 1 | SIDE, RH, ROCKER, TOP SHOE, 29D/298D |
| 8 | | 1 | GIRT WLDMT, PIPE, ROCKER #8 |
| 7 | F03500800 | 2 | SCREEN HOOK ASSY, STANDARD |
| 6 | F03500600 | 2 | CUP WLDMT, ROCKER, HEAVY DUTY BRUSH |
| 5 | | 1 | BOARD, BACK, TOP ROCKER, TOP SHOE, 298D |
| 4 | 66783300 | 4 | NUT, HEX SERR LOCK 1/4-20 |
| 3 | 66782600 | 6 | NUT, HEX SERR LOCK 10-24 |
| 2 | 65852226 | 4 | SMS, FLT X HD #8 X 1.25" |
| 1 | 60282626 | 6 | BOLT, CARR 10-24 X 1.25" |



CLIPPER
SEPARATION TECHNOLOGIES
SINCE 1988

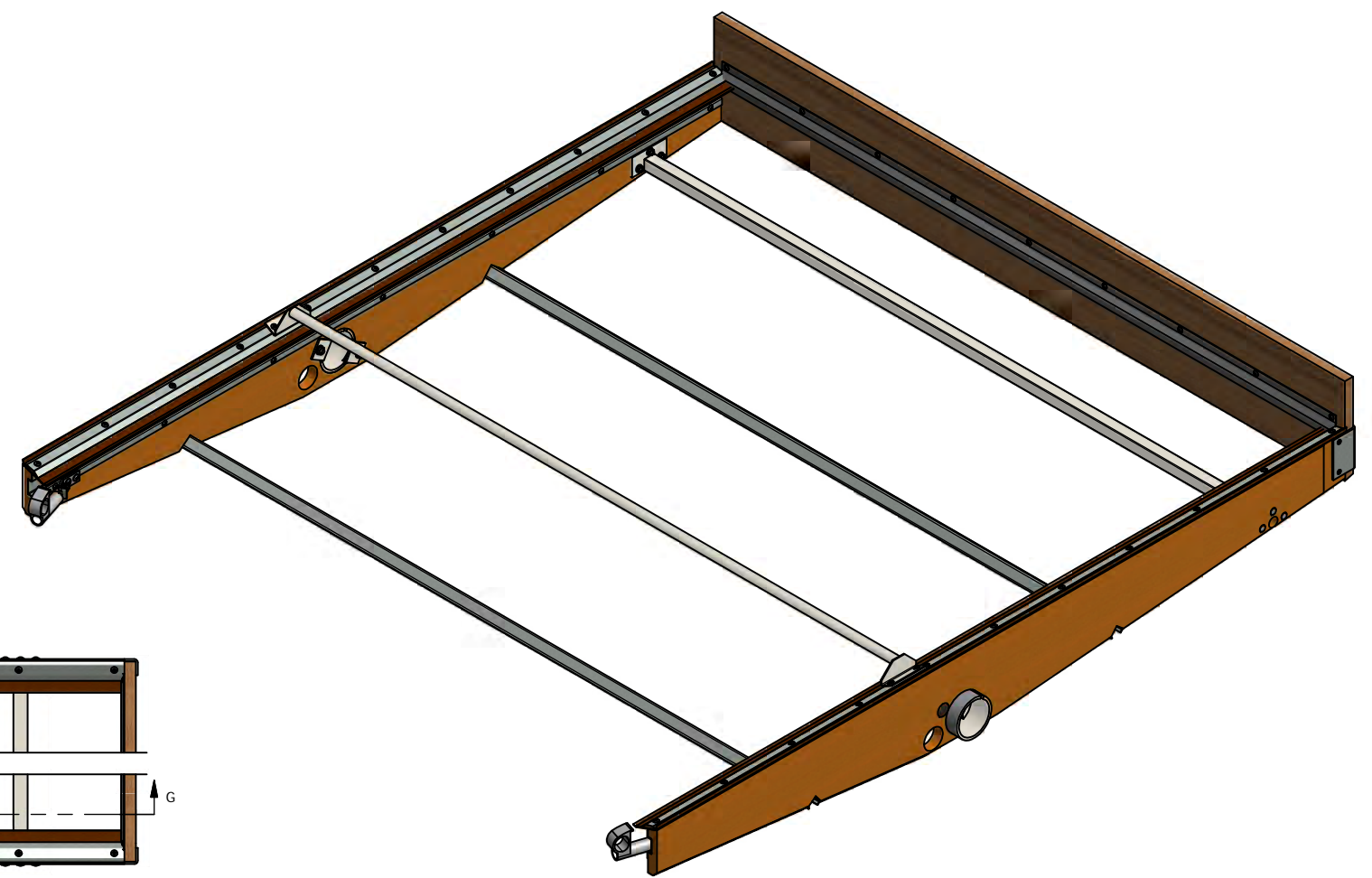
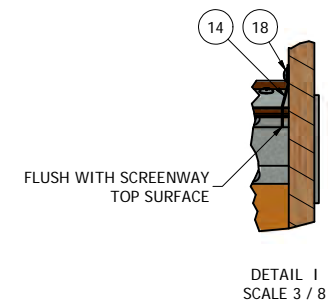
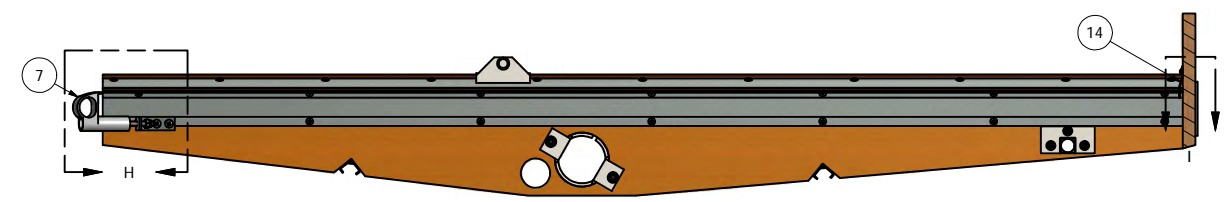
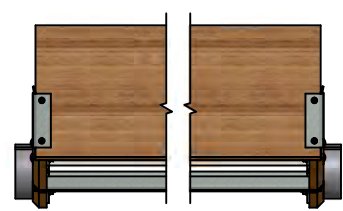
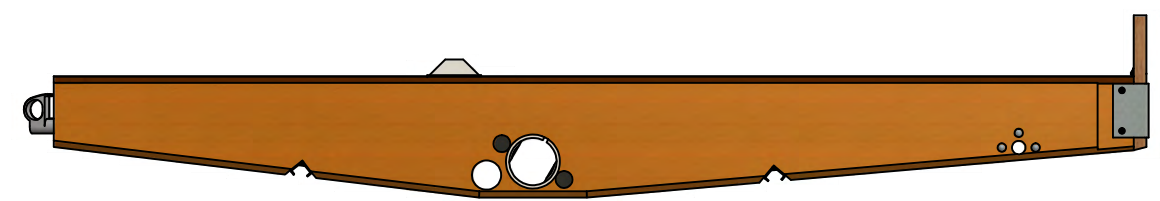
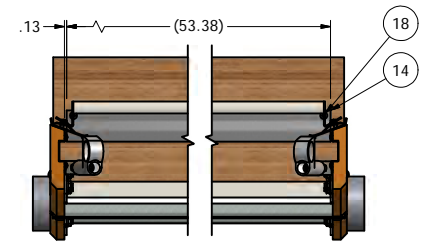
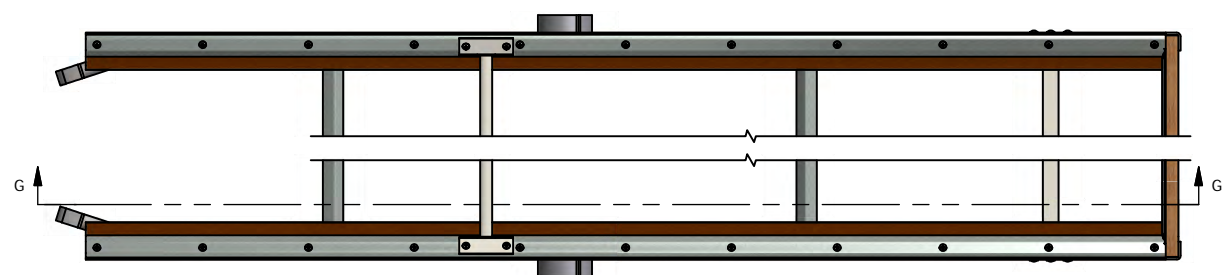
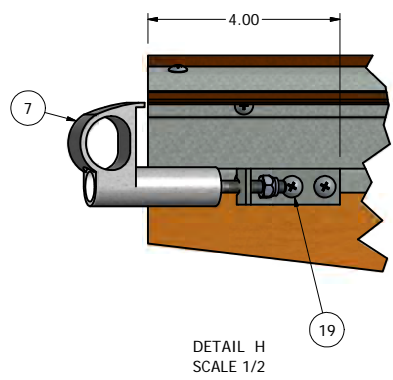
DIVISION OF
A.T.FERRELL COMPANY
1440 S ADAMS ST
BLUFFTON, INDIANA
46714 - USA
PH: 260-824-3400
FAX: 260-824-5463

This drawing is the property of the A.T. Ferrell Company, Inc and must be returned immediately upon request. No part of this drawing may be reproduced, stored in a retrieval system or transmitted in any form or by any means, without prior written consent of the A.T. Ferrell Company, Inc.


| | |
|----------------------------|----------------------------------|
| TOLERANCES EXCEPT AS NOTED | TITLE: |
| DECIMAL: .030 | ROCKER ASSY, TOP, TOP SHOE, 29 D |
| FRACTIONAL: 1/32 | |
| XX ± .030 | FINISH: |
| XXX ± .005 | NONE |
| XXXX ± .001 | ANGULAR: ± 1/2° |
| | NONE |
| CAD | NO MANUAL CHANGES |
| SCALE: 0.19:1 | SHEET: 2 OF 3 |
| SIZE: D | PART NUMBER: F03500000 |
| REV: B | |

NOTES:
 1. DO NOT SCALE FROM DRAWING.
 2. ONE PIECE REQUIRED PER F03000004: SHOE ASSY, TOP W/ ROCKERS, 298D.

| REVISION HISTORY | | | | |
|------------------|---------|--|-----------|-----------|
| REV | ECN | DESCRIPTION | DATE | APPROVED |
| A | XXXXXX | RELEASE | 2/26/1951 | RH |
| B | F130043 | REDRAWN CAD, WAS C SIZE GROUP DRAWING, F03143210, F03806000 WAS F03143200 & F03803400, ADD F03505800 | 3/27/2013 | dmjohnson |



| ITEM | PART NUMBER | QTY | DESCRIPTION |
|------|-------------|-----------|---|
| 22 | F91152006 | 10.333 ft | BELTING, 3 PLY FSXFS 2.50 X 62.00" |
| 21 | | 1 | GIRT WLDMT, ROCKER ADJUSTMENT, CENTERED, #8 |
| 20 | F84212122 | 4 | SMS, FLT X HD #8 X 3/4" |
| 19 | F83453403 | 4 | SMS, PAN X HD, #10 X 3/4" |
| 18 | F83453402 | 63 | SMS, PAN X HD, #8 X 3/4" |
| 17 | F83440301 | 4 | SMS, FLAT CROSS HEAD #10 X 1.50" |
| 16 | F82021407 | 4 | BOLT, ELEV 1/4-20 X 1.25" |
| 15 | F03806000 | 2 | ANGLE, SCREEN STOP, ROCKER |
| 14 | F03801202 | 1 | SEAL, SCREEN, TOP ROCKER, 298D |
| 13 | F03801100 | 2 | CAP, RUBBER HOLDING, ROCKER, 60.00" |
| 12 | F03800413 | 2 | LINER, SCREENWAY, ROCKER, 60.00" |
| 11 | | 2 | BRACE, BOTTOM, ROCKER, #8 |
| 10 | F03600100 | 1 | SIDE, LH, ROCKER, TOP SHOE, 29D/298D |
| 9 | F03600000 | 1 | SIDE, RH, ROCKER, TOP SHOE, 29D/298D |
| 8 | | 1 | GIRT WLDMT, PIPE, ROCKER #8 |
| 7 | F03500800 | 2 | SCREEN HOOK ASSY, STANDARD |
| 6 | F03500600 | 2 | CUP WLDMT, ROCKER, HEAVY DUTY BRUSH |
| 5 | | 1 | BOARD, BACK, TOP ROCKER, TOP SHOE, 298D |
| 4 | 66783300 | 4 | NUT, HEX SERR LOCK 1/4-20 |
| 3 | 66782600 | 6 | NUT, HEX SERR LOCK 10-24 |
| 2 | 65852226 | 4 | SMS, FLT X HD #8 X 1.25" |
| 1 | 60282626 | 6 | BOLT, CARR 10-24 X 1.25" |



CLIPPER
SEPARATION TECHNOLOGIES
SINCE 1988

DIVISION OF
A.T.FERRELL COMPANY
1440 S ADAMS ST
BLUFFTON, INDIANA
46714 - USA
PH: 260-824-3400
FAX: 260-824-5463

This drawing is the property of the A.T. Ferrell Company, Inc and must be returned immediately upon request. No part of this drawing may be reproduced, stored in a retrieval system or transmitted in any form or by any means, without prior written consent of the A.T. Ferrell Company, Inc.

DRAWN BY: dmjohnson DRAWN DATE: 3/27/2013 APPROVED BY: DMJ

| | | | |
|----------------------------|-------------------|----------------------------------|------------------------|
| TOLERANCES EXCEPT AS NOTED | | TITLE: | |
| DECIMAL: .030 | FRACTIONAL: 1/32 | ROCKER ASSY, TOP, TOP SHOE, 29 D | |
| XX ± .030 | XXX ± .005 | FINISH: | |
| XXXX ± .001 | ANGULAR: ± 1/2° | NONE | |
| CAD | NO MANUAL CHANGES | SCALE: 0.19:1 | SHEET: 3 OF 3 |
| | | SIZE: D | PART NUMBER: F03500000 |
| | | | REV: B |

NOTES:
 1. DO NOT SCALE FROM DRAWING.
 2. ONE PIECE REQUIRED PER F03000004: SHOE ASSY, TOP W/ ROCKERS, 298D.