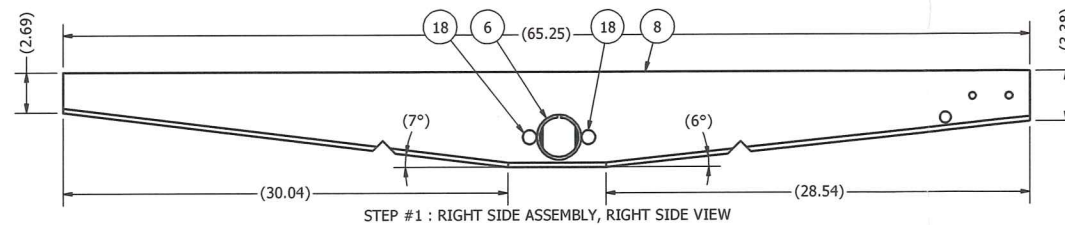
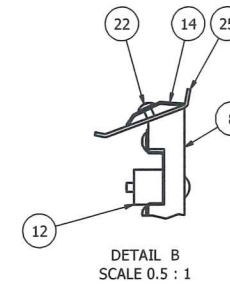
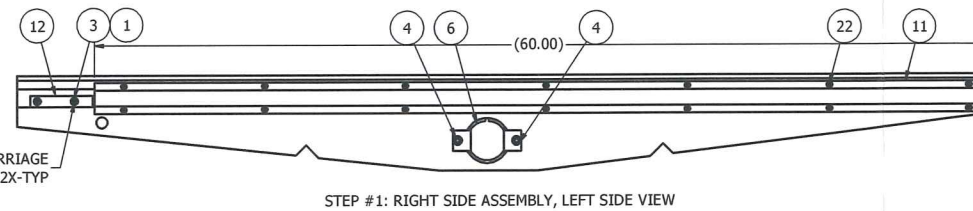
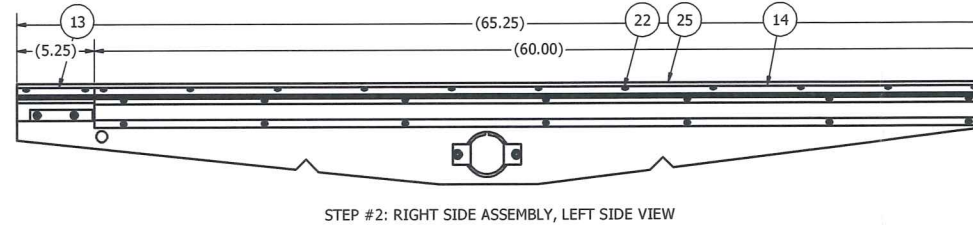
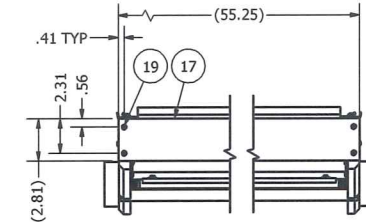
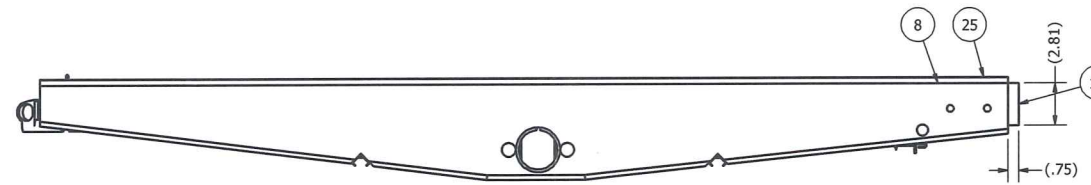
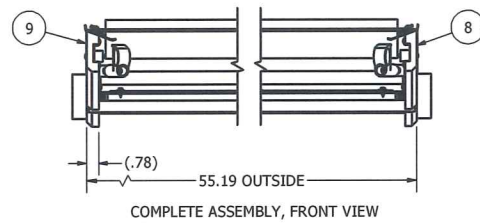
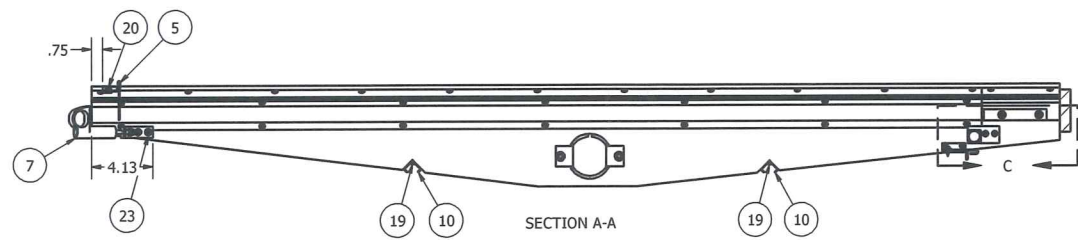
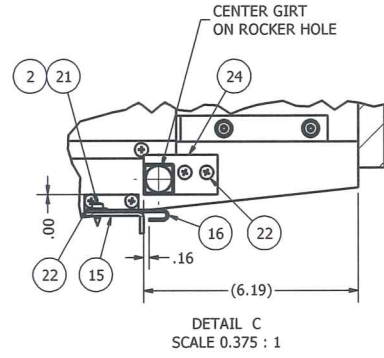
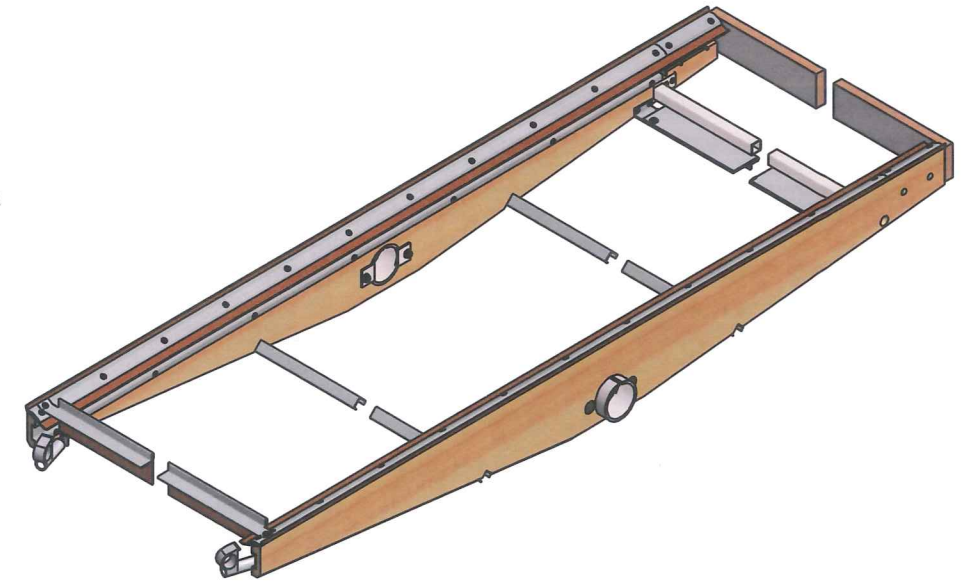
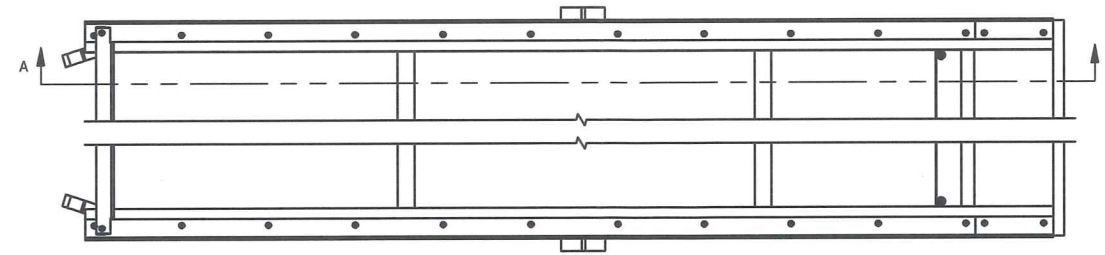


REVISION HISTORY				
REV	ECN	DESCRIPTION	DATE	APPROVED
A	XXXXXX	RELEASE	2/19/1951	RH
B	F120129	REDRAWN CAD, WAS C SIZE	11/29/2012	dmjohson
C	F120131	F90005300 WAS F90005303, ADD F11302498	12/5/2012	dmjohson



NOTES:  
1. DO NOT SCALE FROM DRAWING.  
2. ONE PIECE REQUIRED PER F03000108: SHOE ASSY, BOTTOM RH/LH W/ROCKERS, 298D.  
3. ONE PIECE REQUIRED PER F03008106/07: SHOE ASSY, BOTTOM LH/RH W/ROCKERS, 69A & D.

ITEM	PART NUMBER	QTY	DESCRIPTION
25	F91152006	2	BELTING, 3 PLY FSXFS 2.50 X 65.25"
24	F90005300	1	GIRT WLDMT, ROCKER ADJUSTMENT, #8
23	F83453403	4	SMS, PAN X HD, #10 X 3/4"
22	F83453402	62	SMS, PAN X HD, #8 X 3/4"
21	F83451201	7	SMS, PAN X HD, #8 X 1/2"
20	F83450101	2	SMS, PAN X HD, #8 X 1.00"
19	F83440301	8	SMS, FLAT CROSS HEAD #10 X 1.50"
18	F82021407	4	BOLT, ELEV 1/4-20 X 1.25"
17	F11307305	1	BOARD, REAR, SPOUT GIRT 2.81", S498D
16	F11302510	1	COVER, APRON, ADJ GIRT, ROCKER, #8
15	F11302498	1	MOUNT, APRON, ROCKER, #8
14	F03801100	2	CAP, RUBBER HOLDING, ROCKER, 60.00"
13	F03801100	2	CAP, RUBBER HOLDING, ROCKER, 5.25"
12	F03801000	2	STOP, SCREEN .75 X 4.38"
11	F03800413	2	LINER, SCREENWAY, ROCKER, 60.00"
10	F03800002	2	BRACE, BOTTOM, ROCKER, #8
9	F03600300	1	SIDE, ROCKER, LH TOP, BOTTOM SHOE, 298D
8	F03600200	1	SIDE, ROCKER, RH TOP, BOTTOM SHOE, 298D
7	F03500800	2	SCREEN HOOK ASSY, STANDARD
6	F03500600	2	CUP WLDMT, ROCKER, HEAVY DUTY BRUSH
5	F03310009	1	GRAIN STOP ASSY, ROCKER, 2.50" X #8
4	66783300	4	NUT, HEX SERR LOCK 1/4-20
3	66782600	4	NUT, HEX SERR LOCK 10-24
2	66402200	7	WASHER, FLAT, #8
1	60282626	4	BOLT, CARR 10-24 X 1.25"

This drawing is the property of the A.T. Ferrell Company, Inc and must be returned immediately upon request. No part of this drawing may be reproduced, stored in a retrieval system or transmitted in any form or by any means, without prior written consent of the A.T. Ferrell Company, Inc.

**CAD**  
NO MANUAL CHANGES  
TOLERANCES EXCEPT AS NOTED

FINISH: NONE  
SCALE: 0.16:1  
DRAWN BY: dmjohson  
APPROVED BY: DMJ

TITLE: ROCKER ASSY, TOP, BOTTOM SHOE, 298D  
DATE: 10/28/2008  
SIZE: D  
PART NUMBER: F03500210  
SHEET: 1 of 1