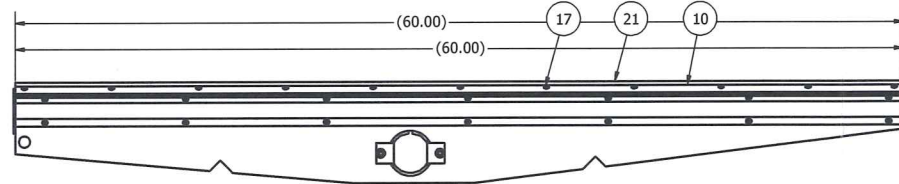
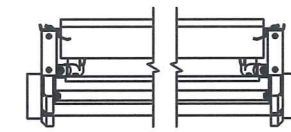
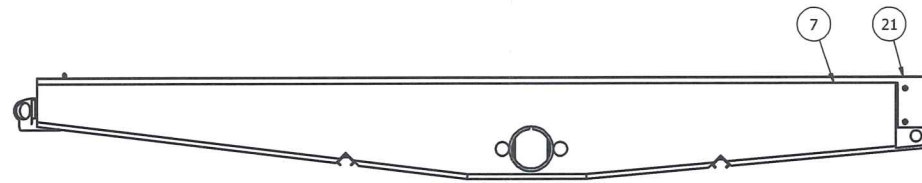
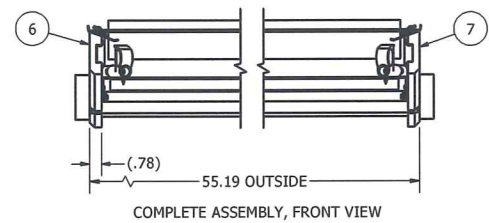
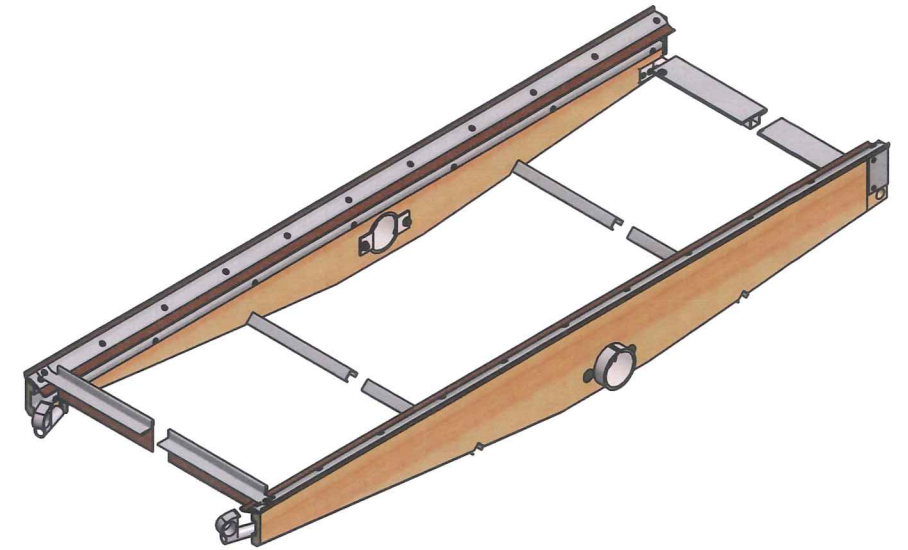
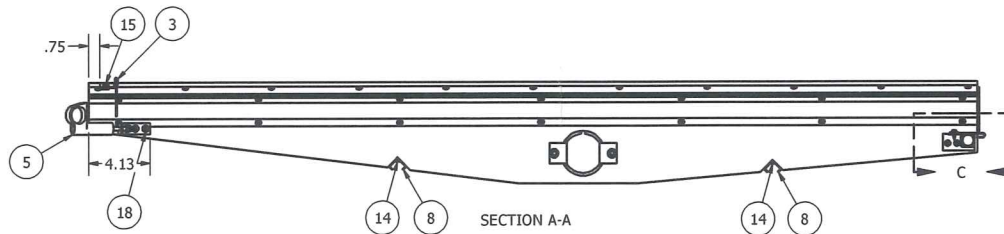
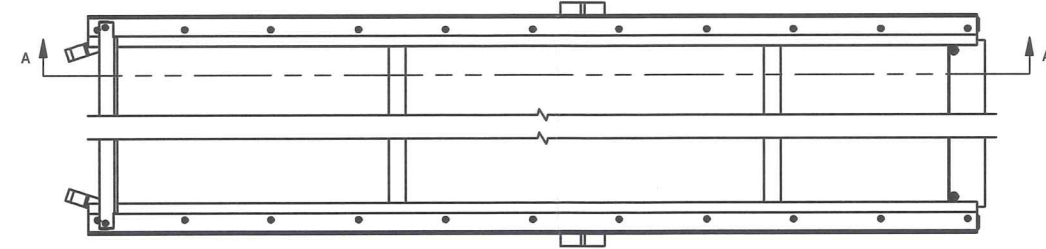
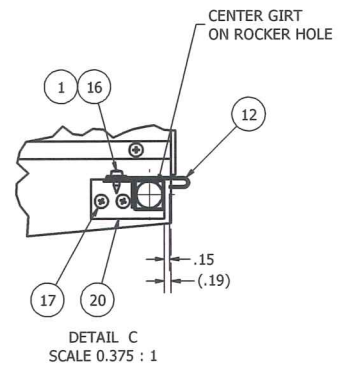
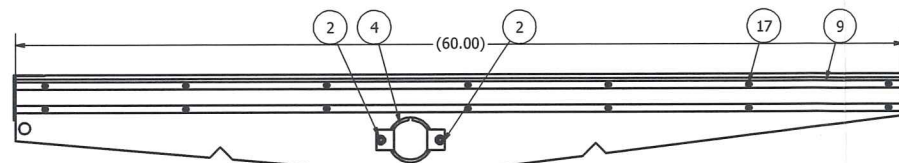


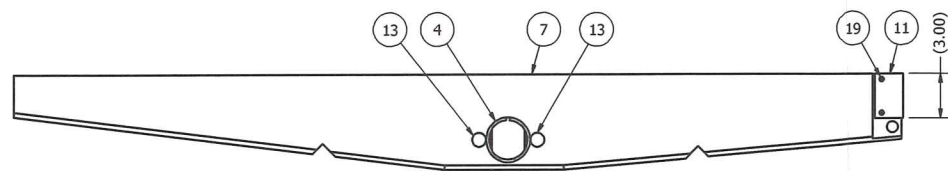
REVISION HISTORY				
REV	ECN	DESCRIPTION	DATE	APPROVED
A	F120129	RELEASE	12/4/2012	dmjohnson



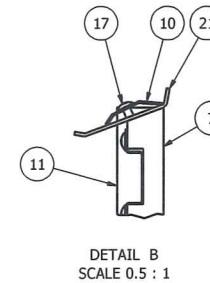
STEP #2: RIGHT SIDE ASSEMBLY, LEFT SIDE VIEW



STEP #1: RIGHT SIDE ASSEMBLY, LEFT SIDE VIEW



STEP #1 : RIGHT SIDE ASSEMBLY, RIGHT SIDE VIEW



ITEM	PART NUMBER	QTY	DESCRIPTION
21	F91152006	10.333 R	BELTING, 3 PLY FSXFS 2.50 X 62.00"
20	F90005303	1	GIRT WLDMT, ROCKER ADJ, TELESCOPING, #8
19	F84212122	8	SMS, FLT X HD #8 X 3/4"
18	F83453403	4	SMS, PAN X HD, #10 X 3/4"
17	F83453402	54	SMS, PAN X HD, #8 X 3/4"
16	F83451201	7	SMS, PAN X HD, #8 X 1/2"
15	F83450101	2	SMS, PAN X HD, #8 X 1.00"
14	F83440301	4	SMS, FLAT CROSS HEAD #10 X 1.50"
13	F82021407	4	BOLT, ELEV 1/4-20 X 1.25"
12	F11302510	1	COVER, APRON, ADJ GIRT, ROCKER, #8
11	F03806000	2	ANGLE, SCREEN STOP, ROCKER
10	F03801100	2	CAP, RUBBER HOLDING, ROCKER, 60.00"
9	F03800413	2	LINER, SCREENWAY, ROCKER, 60.00"
8	F03800002	2	BRACE, BOTTOM, ROCKER, #8
7	F03600510	1	SIDE, ROCKER, RH BOTTOM, BOTTOM SHOE, 68A & D
6	F03600410	1	SIDE, ROCKER, LH BOTTOM, BOTTOM SHOE, 69A & D
5	F03500800	2	SCREEN HOOK ASSY, STANDARD
4	F03500600	2	CUP WLDMT, ROCKER, HEAVY DUTY BRUSH
3	F03310009	1	GRAIN STOP ASSY, ROCKER, 2.50" X #8
2	66783300	4	NUT, HEX SERR LOCK 1/4-20
1	66402200	7	WASHER, FLAT, #8

This drawing is the property of the A.T. Ferrell Company, Inc and must be returned immediately upon request. No part of this drawing may be reproduced, stored in a retrieval system or transmitted in any form or by any means, without prior written consent of the A.T. Ferrell Company, Inc.

CAD
NO MANUAL CHANGES

TOLERANCES EXCEPT AS NOTED
DECIMAL: .xxx = .005
xx = .030
FRACTIONAL: = 1/32
ANGULAR: = 1/2

DIVISION OF A. T. FERRELL COMPANY
SCALE: 0.16:1
DRAWN BY: dmjohnson
DATE: 12/4/2012

BLUFFTON, INDIANA - USA
APPROVED BY: DMJ

TITLE: ROCKER ASSY, BOTTOM, BOTTOM SHOE, 68A & D
PART NUMBER: F03500340
SHEET: 1 of 1

NOTES:
1. DO NOT SCALE FROM DRAWING.
2. ONE PIECE REQUIRED PER F03008106/07: SHOE ASSY, BOTTOM LH/RH W/ROCKERS, 68A & D.