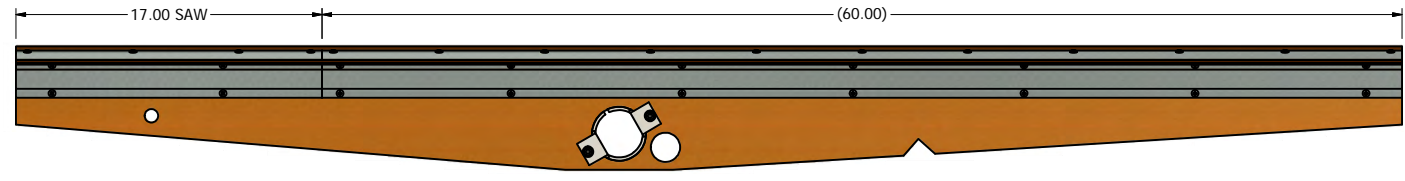
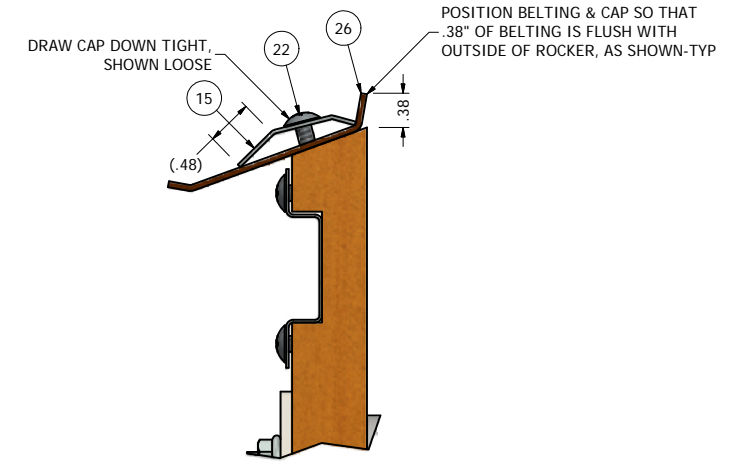


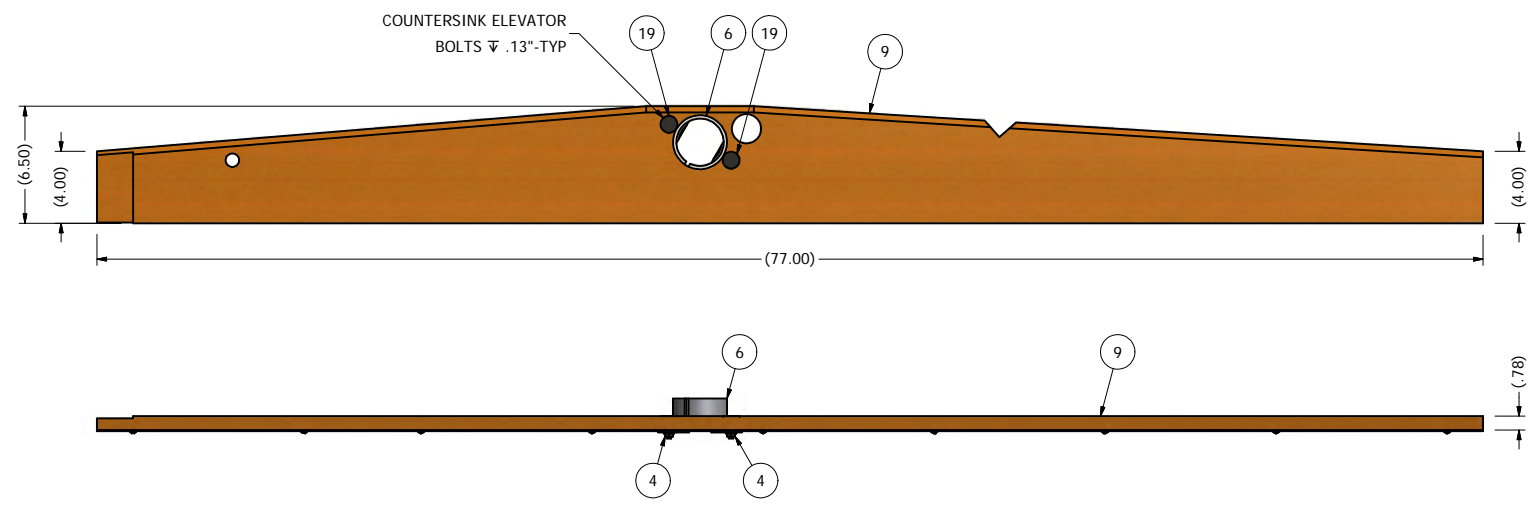
| REV | ECN     | DESCRIPTION   | DATE      | APPROVED  |
|-----|---------|---|-----------|-----------|
| A   | XXXXXX  | RELEASE   | 5/9/1957  | DR        |
| B   | F120091 | WAS C SIZE GROUP DRAWING, F03803300, -6000 & F90005101 WAS F10512600, F03803400 & F90005301 | 9/21/2012 | dmjohnson |
| C   | F130052 | ROTATE ROCKER CUPS 30 DEG   | 4/5/2013  | dmjohnson |



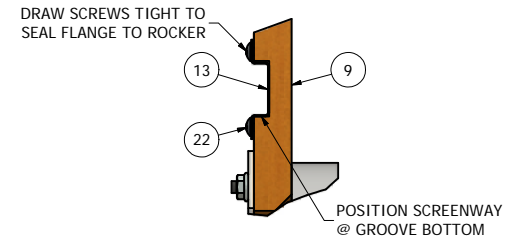
STEP 2: RIGHT ROCKER SIDE ASSEMBLY, LEFT SIDE VIEW  
TYPICAL ASSEMBLY FOR LEFT ROCKER SIDE



DETAIL B  
SCALE 1:1



STEP 1: RIGHT ROCKER SIDE ASSEMBLY, LEFT SIDE VIEW  
TYPICAL ASSEMBLY FOR LEFT ROCKER SIDE



DETAIL A  
SCALE 1/2

| ITEM | PART NUMBER | QTY       | DESCRIPTION                                    |
|------|-------------|-----------|--|
| 26   | F91152006   | 13.167 ft | BELTING, 3 PLY FSXFS 2.50 X 79.00"             |
| 25   | F90005101   | 1         | GIRT WLDMT, ROCKER ADJUSTMENT, CENTERED, #9    |
| 24   | F84212122   | 4         | SMS, FLT X HD #8 X 3/4"                        |
| 23   | F83453403   | 4         | SMS, PAN X HD, #10 X 3/4"                      |
| 22   | F83453402   | 86        | SMS, PAN X HD, #8 X 3/4"                       |
| 21   | F83451201   | 8         | SMS, PAN X HD, #8 X 1/2"                       |
| 20   | F83440301   | 4         | SMS, FLAT CROSS HEAD #10 X 1.50"               |
| 19   | F82021407   | 4         | BOLT, ELEV 1/4-20 X 1.25"                      |
| 18   | F03806000   | 2         | ANGLE, SCREEN STOP, ROCKER                     |
| 17   | F03803500   | 1         | BOTTOM METAL ASSY, TOP RKR, TOP SHOE, SX29D    |
| 16   | F03803300   | 1         | BLANK ASSY, TOP/BTM ROCKER, BTM SHOE, SX29D    |
| 15   | F03801100   | 2         | CAP, RUBBER HOLDING, ROCKER, 60.00"            |
| 14   | F03801100   | 2         | CAP, RUBBER HOLDING, ROCKER, 17.00"            |
| 13   | F03800401   | 2         | LINER WLDMT, SCREENWAY, ROCKER, 77.00"         |
| 12   | F03800001   | 1         | BRACE, BOTTOM, ROCKER, #9                      |
| 11   | F03601600   | 1         | BOARD, REAR CROSS, TOP ROCKER, TOP SHOE, SX29D |
| 10   | F03601402   | 1         | SIDE, LH, TOP ROCKER, TOP SHOE, SX29D/SX298D   |
| 9    | F03601400   | 1         | SIDE, RH, TOP ROCKER, TOP SHOE, SX29D/SX298D   |
| 8    | F03505805   | 1         | GIRT WLDMT, PIPE, ROCKER #9                    |
| 7    | F03500800   | 2         | SCREEN HOOK ASSY, STANDARD                     |
| 6    | F03500600   | 2         | CUP WLDMT, ROCKER, HEAVY DUTY BRUSH            |
| 5    | 70010521    | 3         | SCW, DECK FLT HD #6 X 2.00"                    |
| 4    | 66783300    | 4         | NUT, HEX SERR LOCK 1/4-20                      |
| 3    | 66782600    | 6         | NUT, HEX SERR LOCK 10-24                       |
| 2    | 65852226    | 4         | SMS, FLT X HD #8 X 1.25"                       |
| 1    | 60282626    | 6         | BOLT, CARR 10-24 X 1.25"                       |

**CLIPPER** SEPARATION TECHNOLOGIES SINCE 1988

**DIVISION OF A.T.FERRELL COMPANY**  
1440 S ADAMS ST  
BLUFFTON, INDIANA 46714 - USA  
PH: 260-824-3400  
FAX: 260-824-5463

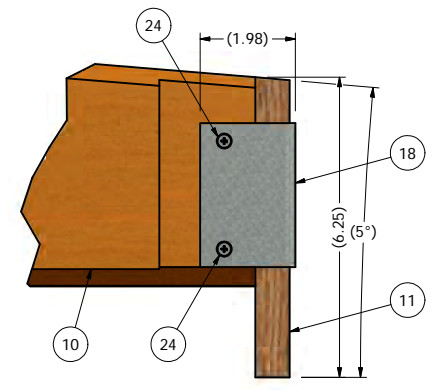
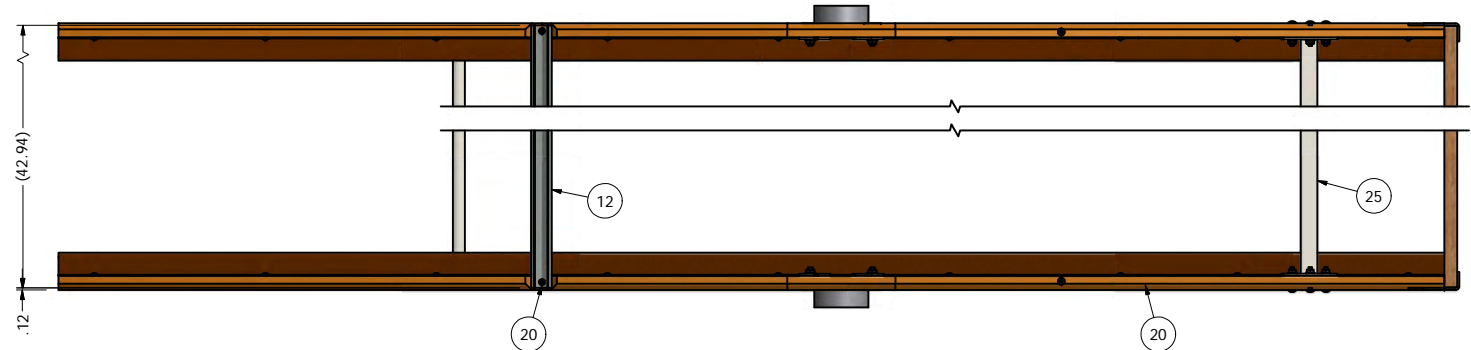
This drawing is the property of the A.T. Ferrell Company, Inc and must be returned immediately upon request. No part of this drawing may be reproduced, stored in a retrieval system or transmitted in any form or by any means, without prior written consent of the A.T. Ferrell Company, Inc.

DRAWN BY: dmjohnson  
DRAWN DATE: 9/21/2012  
APPROVED BY: DMJ

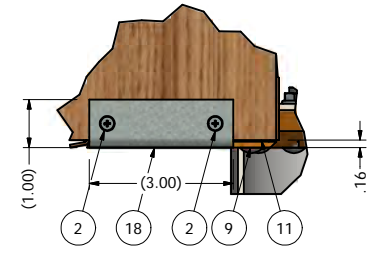
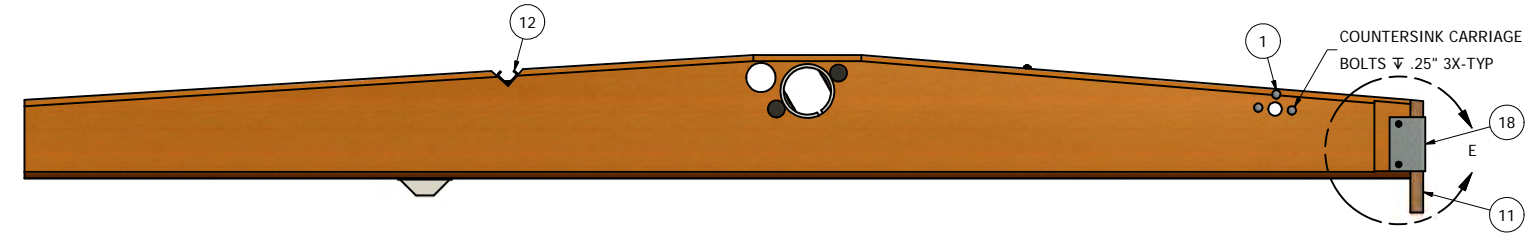
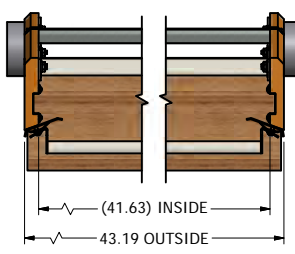
|                            |                                   |
|----------------------------|-----------------------------------|
| TOLERANCES EXCEPT AS NOTED | TITLE:                            |
| DECIMAL: .030              | ROCKER ASSY, TOP, TOP SHOE, SX29D |
| FRACTIONAL: 1/32           |                                   |
| XX ± .030                  | FINISH:                           |
| XXX ± .005                 | NONE                              |
| XXXX ± .001                | ANGULAR: ± 1/2°                   |
| CAD NO MANUAL CHANGES      | SCALE: 0.19:1                     |
|                            | SHEET: 1 OF 3                     |
|                            | SIZE: D                           |
|                            | PART NUMBER: F03502100            |
|                            | REV: C                            |

NOTES:  
1. DO NOT SCALE FROM DRAWING.  
2. ONE PIECE REQUIRED PER F03013303/07: SHOE ASSY, TOP W/ ROCKERS, SX29D.

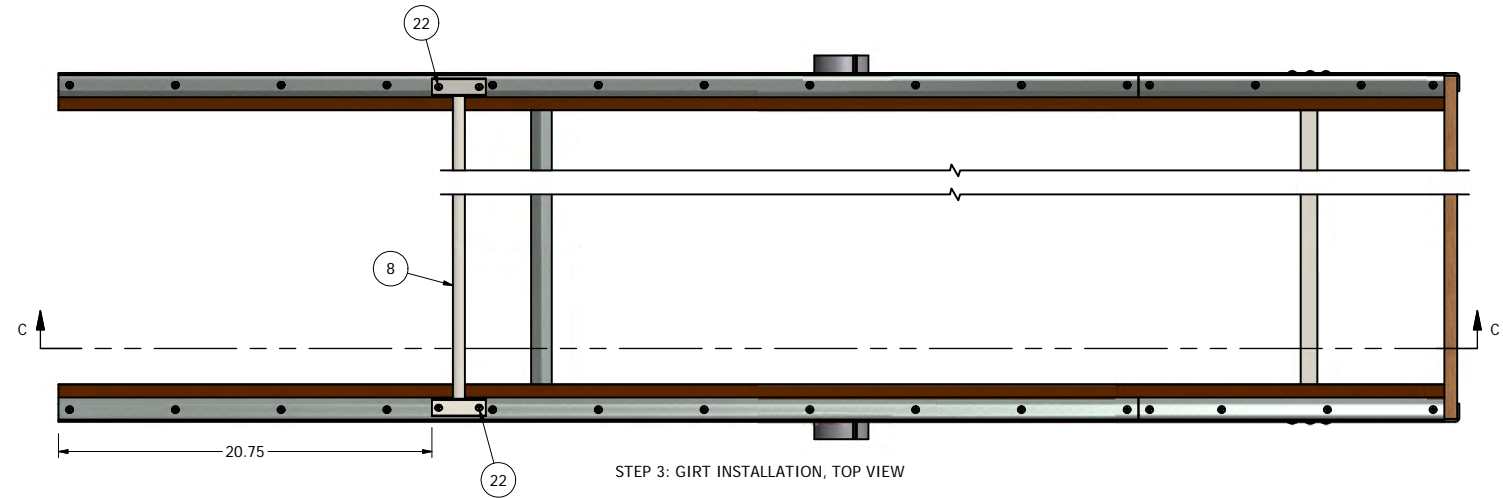
| REV | ECN     | REVISION HISTORY  | DATE      | APPROVED  |
|-----|---------|---|-----------|-----------|
| A   | XXXXXX  | RELEASE   | 5/9/1957  | DR        |
| B   | F120091 | WAS C SIZE GROUP DRAWING, F03803300, -6000 & F90005101 WAS F10512600, F03803400 & F90005301 | 9/21/2012 | dmjohnson |
| C   | F130052 | ROTATE ROCKER CUPS 30 DEG   | 4/5/2013  | dmjohnson |



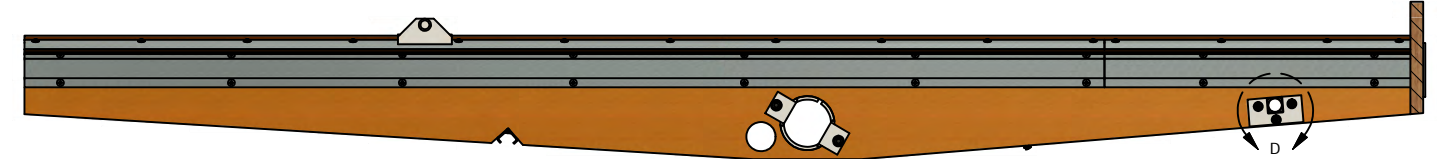
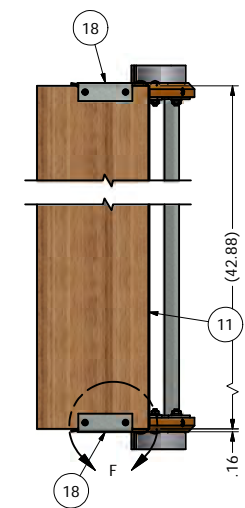
DETAIL E  
SCALE 1/2



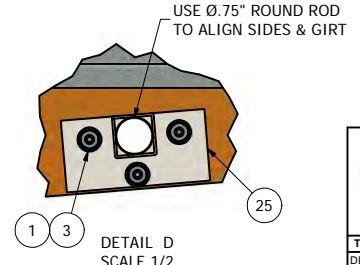
DETAIL F  
SCALE 1/2



STEP 3: GIRT INSTALLATION, TOP VIEW



SECTION C-C



DETAIL D  
SCALE 1/2

| ITEM | PART NUMBER | QTY       | DESCRIPTION                                    |
|------|-------------|-----------|--|
| 26   | F91152006   | 13.167 ft | BELTING, 3 PLY FSXFS 2.50 X 79.00"             |
| 25   | F90005101   | 1         | GIRT WLDMT, ROCKER ADJUSTMENT, CENTERED, #9    |
| 24   | F84212122   | 4         | SMS, FLT X HD #8 X 3/4"                        |
| 23   | F83453403   | 4         | SMS, PAN X HD, #10 X 3/4"                      |
| 22   | F83453402   | 86        | SMS, PAN X HD, #8 X 3/4"                       |
| 21   | F83451201   | 8         | SMS, PAN X HD, #8 X 1/2"                       |
| 20   | F83440301   | 4         | SMS, FLAT CROSS HEAD #10 X 1.50"               |
| 19   | F82021407   | 4         | BOLT, ELEV 1/4-20 X 1.25"                      |
| 18   | F03806000   | 2         | ANGLE, SCREEN STOP, ROCKER                     |
| 17   | F03803500   | 1         | BOTTOM METAL ASSY, TOP RKR, TOP SHOE, SX29D    |
| 16   | F03803300   | 1         | BLANK ASSY, TOP/BTM ROCKER, BTM SHOE, SX29D    |
| 15   | F03801100   | 2         | CAP, RUBBER HOLDING, ROCKER, 60.00"            |
| 14   | F03801100   | 2         | CAP, RUBBER HOLDING, ROCKER, 17.00"            |
| 13   | F03800401   | 2         | LINER WLDMT, SCREENWAY, ROCKER, 77.00"         |
| 12   | F03800001   | 1         | BRACE, BOTTOM, ROCKER, #9                      |
| 11   | F03601600   | 1         | BOARD, REAR CROSS, TOP ROCKER, TOP SHOE, SX29D |
| 10   | F03601402   | 1         | SIDE, LH, TOP ROCKER, TOP SHOE, SX29D/SX298D   |
| 9    | F03601400   | 1         | SIDE, RH, TOP ROCKER, TOP SHOE, SX29D/SX298D   |
| 8    | F03505805   | 1         | GIRT WLDMT, PIPE, ROCKER #9                    |
| 7    | F03500800   | 2         | SCREEN HOOK ASSY, STANDARD                     |
| 6    | F03500600   | 2         | CUP WLDMT, ROCKER, HEAVY DUTY BRUSH            |
| 5    | 70010521    | 3         | SCW, DECK FLT HD #6 X 2.00"                    |
| 4    | 66783300    | 4         | NUT, HEX SERR LOCK 1/4-20                      |
| 3    | 66782600    | 6         | NUT, HEX SERR LOCK 10-24                       |
| 2    | 65852226    | 4         | SMS, FLT X HD #8 X 1.25"                       |
| 1    | 60282626    | 6         | BOLT, CARR 10-24 X 1.25"                       |

**CLIPPER**  
SEPARATION TECHNOLOGIES  
SINCE 1988

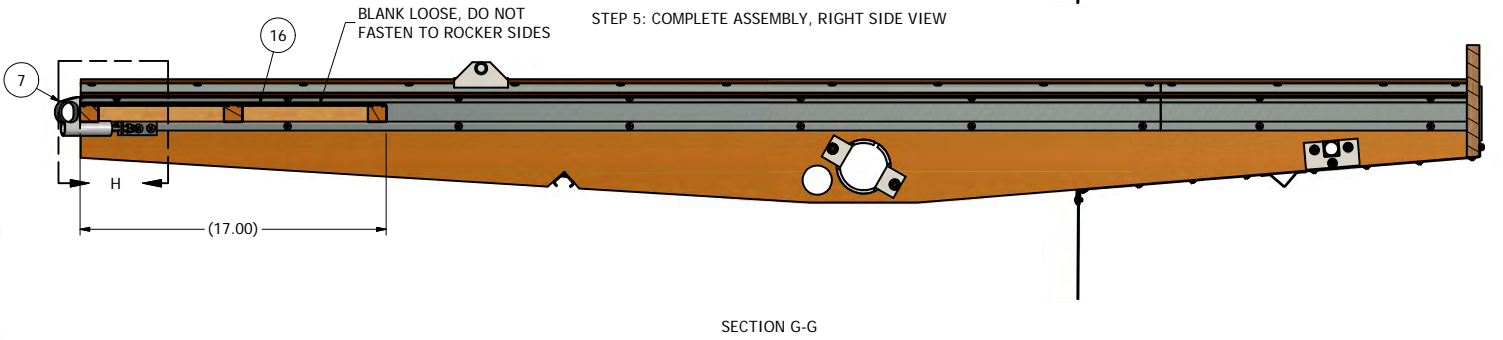
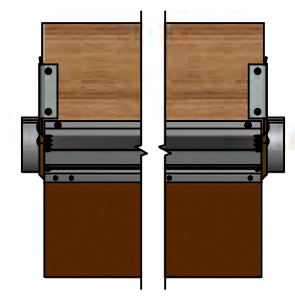
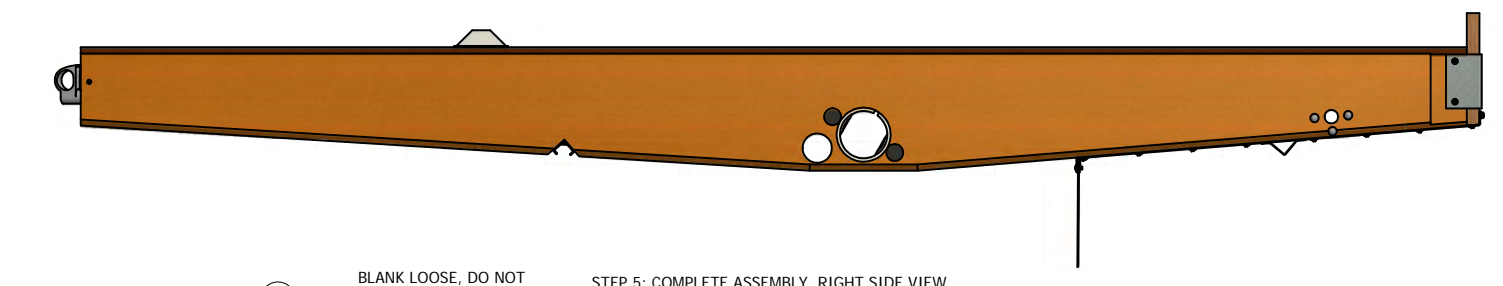
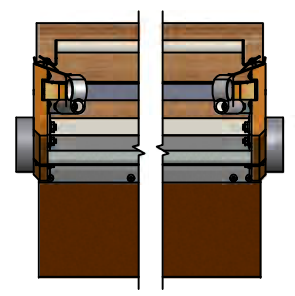
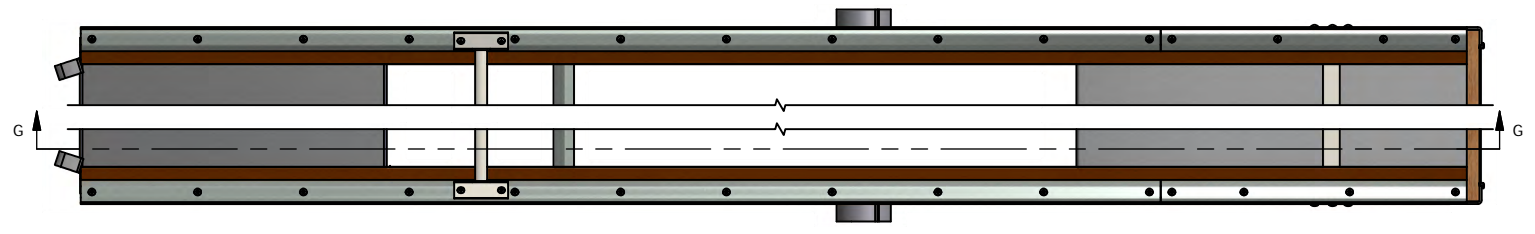
**DIVISION OF**  
A.T.FERRELL COMPANY  
1440 S ADAMS ST  
BLUFFTON, INDIANA  
46714 - USA  
PH: 260-824-3400  
FAX: 260-824-5463

This drawing is the property of the A.T. Ferrell Company, Inc and must be returned immediately upon request. No part of this drawing may be reproduced, stored in a retrieval system or transmitted in any form or by any means, without prior written consent of the A.T. Ferrell Company, Inc.

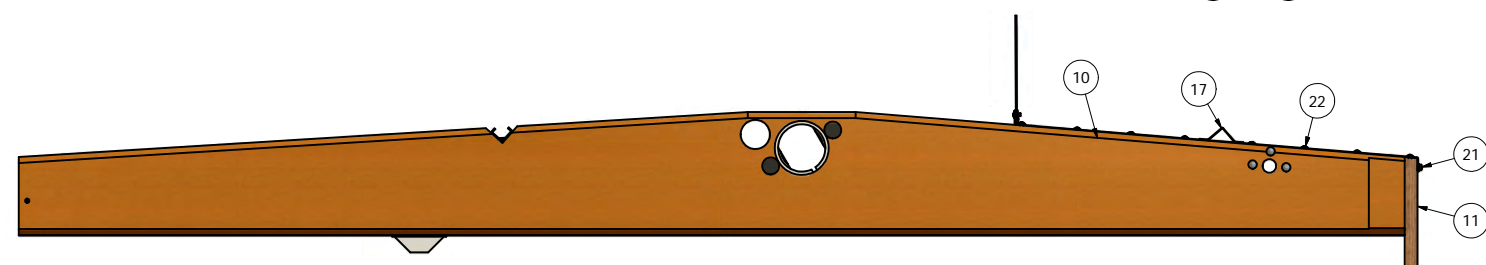
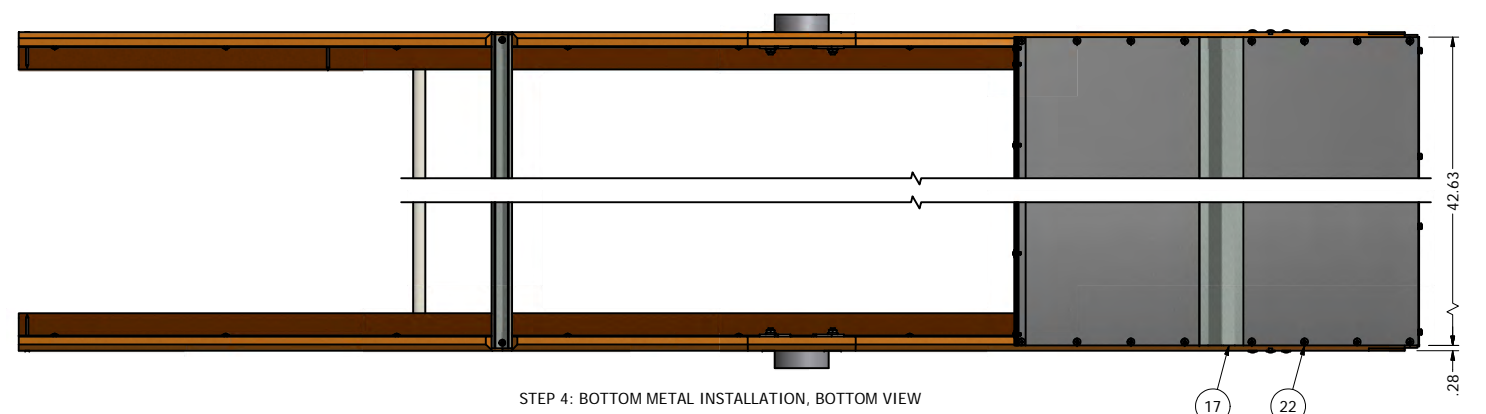
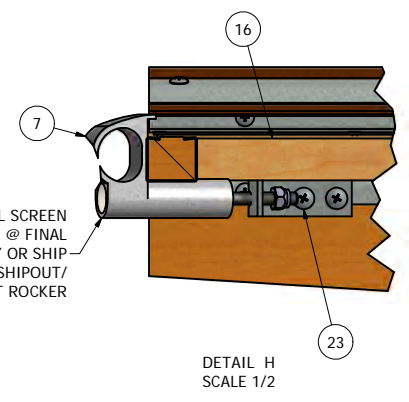
|                            |                                   |
|----------------------------|-----------------------------------|
| TOLERANCES EXCEPT AS NOTED | TITLE:                            |
| DECIMAL: ± .030            | ROCKER ASSY, TOP, TOP SHOE, SX29D |
| FRACTIONAL: ± 1/32         |                                   |
| XX ± .005                  | FINISH:                           |
| XXX ± .001                 | NONE                              |
| ANGULAR: ± 1/2°            |                                   |
|                            |                                   |
| CAD NO MANUAL CHANGES      | SCALE: 0.19:1                     |
|                            | SHEET: 2 OF 3                     |
|                            | SIZE: D                           |
|                            | PART NUMBER: F03502100            |
|                            | REV: C                            |

NOTES:  
 1. DO NOT SCALE FROM DRAWING.  
 2. ONE PIECE REQUIRED PER F03013303/07: SHOE ASSY, TOP W/ ROCKERS, SX29D.

| REVISION HISTORY |         |   |           |           |
|------------------|---------|---|-----------|-----------|
| REV              | ECN     | DESCRIPTION   | DATE      | APPROVED  |
| A                | XXXXXX  | RELEASE   | 5/9/1957  | DR        |
| B                | F120091 | WAS C SIZE GROUP DRAWING, F03803300, -6000 & F90005101 WAS F10512600, F03803400 & F90005301 | 9/21/2012 | dmjohnson |
| C                | F130052 | ROTATE ROCKER CUPS 30 DEG   | 4/5/2013  | dmjohnson |



INSTALL ALL SCREEN HOOKS @ FINAL ASSEMBLY OR SHIP LOOSE FOR SHIPOUT/REPLACEMENT ROCKER



| ITEM | PART NUMBER | QTY       | DESCRIPTION                                    |
|------|-------------|-----------|--|
| 26   | F91152006   | 13.167 ft | BELTING, 3 PLY FSXFS 2.50 X 79.00"             |
| 25   | F90005101   | 1         | GIRT WLDMT, ROCKER ADJUSTMENT, CENTERED, #9    |
| 24   | F84212122   | 4         | SMS, FLT X HD #8 X 3/4"                        |
| 23   | F83453403   | 4         | SMS, PAN X HD, #10 X 3/4"                      |
| 22   | F83453402   | 86        | SMS, PAN X HD, #8 X 3/4"                       |
| 21   | F83451201   | 8         | SMS, PAN X HD, #8 X 1/2"                       |
| 20   | F83440301   | 4         | SMS, FLAT CROSS HEAD #10 X 1.50"               |
| 19   | F82021407   | 4         | BOLT, ELEV 1/4-20 X 1.25"                      |
| 18   | F03806000   | 2         | ANGLE, SCREEN STOP, ROCKER                     |
| 17   | F03803500   | 1         | BOTTOM METAL ASSY, TOP RKR, TOP SHOE, SX29D    |
| 16   | F03803300   | 1         | BLANK ASSY, TOP/BTM ROCKER, BTM SHOE, SX29D    |
| 15   | F03801100   | 2         | CAP, RUBBER HOLDING, ROCKER, 60.00"            |
| 14   | F03801100   | 2         | CAP, RUBBER HOLDING, ROCKER, 17.00"            |
| 13   | F03800401   | 2         | LINER WLDMT, SCREENWAY, ROCKER, 77.00"         |
| 12   | F03800001   | 1         | BRACE, BOTTOM, ROCKER, #9                      |
| 11   | F03601600   | 1         | BOARD, REAR CROSS, TOP ROCKER, TOP SHOE, SX29D |
| 10   | F03601402   | 1         | SIDE, LH, TOP ROCKER, TOP SHOE, SX29D/SX298D   |
| 9    | F03601400   | 1         | SIDE, RH, TOP ROCKER, TOP SHOE, SX29D/SX298D   |
| 8    | F03505805   | 1         | GIRT WLDMT, PIPE, ROCKER #9                    |
| 7    | F03500800   | 2         | SCREEN HOOK ASSY, STANDARD                     |
| 6    | F03500600   | 2         | CUP WLDMT, ROCKER, HEAVY DUTY BRUSH            |
| 5    | 70010521    | 3         | SCW, DECK FLT HD #6 X 2.00"                    |
| 4    | 66783300    | 4         | NUT, HEX SERR LOCK 1/4-20                      |
| 3    | 66782600    | 6         | NUT, HEX SERR LOCK 10-24                       |
| 2    | 65852226    | 4         | SMS, FLT X HD #8 X 1.25"                       |
| 1    | 60282626    | 6         | BOLT, CARR 10-24 X 1.25"                       |

NOTES:  
 1. DO NOT SCALE FROM DRAWING.  
 2. ONE PIECE REQUIRED PER F03013303/07: SHOE ASSY, TOP W/ ROCKERS, SX29D.

**CLIPPER**  
SEPARATION TECHNOLOGIES  
SINCE 1888

**DIVISION OF**  
**A.T.FERRELL COMPANY**  
 1440 S ADAMS ST  
 BLUFFTON, INDIANA  
 46714 - USA  
 PH: 260-824-3400  
 FAX: 260-824-5463

This drawing is the property of the A.T. Ferrell Company, Inc and must be returned immediately upon request. No part of this drawing may be reproduced, stored in a retrieval system or transmitted in any form or by any means, without prior written consent of the A.T. Ferrell Company, Inc.

|                            |                    |                                   |
|----------------------------|--------------------|-----------------------------------|
| TOLERANCES EXCEPT AS NOTED | TITLE:             |                                   |
| DECIMAL: XX ± .030         | FRACTIONAL: ± 1/32 | ROCKER ASSY, TOP, TOP SHOE, SX29D |
| XXX ± .005                 | ANGULAR: ± 1/2°    | FINISH:                           |
| XXXX ± .001                |                    | NONE                              |
| <b>CAD</b>                 | NO MANUAL CHANGES  | SCALE: 0.19:1                     |
|                            |                    | SHEET: 3 OF 3                     |
|                            |                    | SIZE: D                           |
|                            |                    | PART NUMBER: F03502100            |
|                            |                    | REV: C                            |