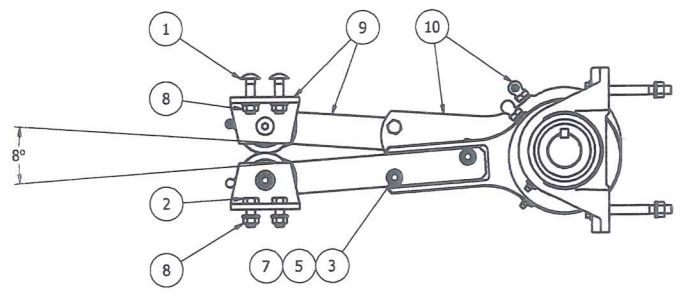
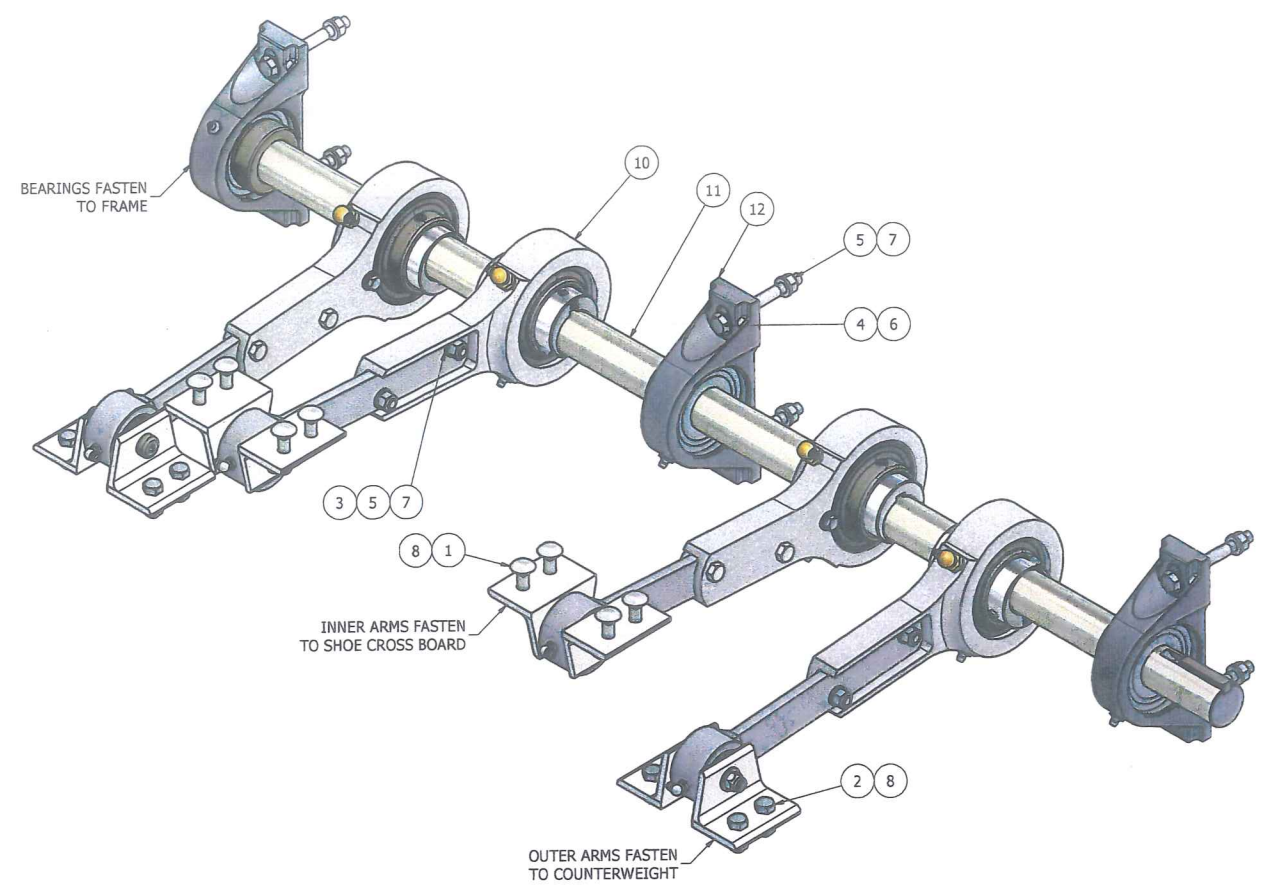
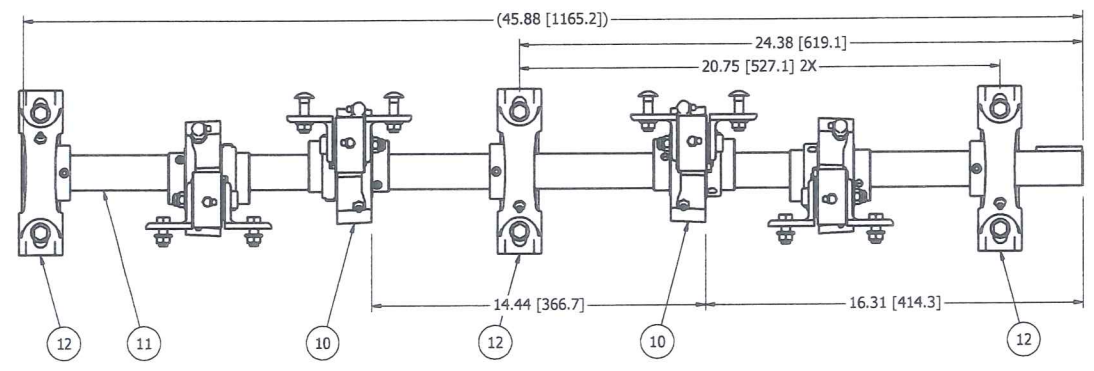
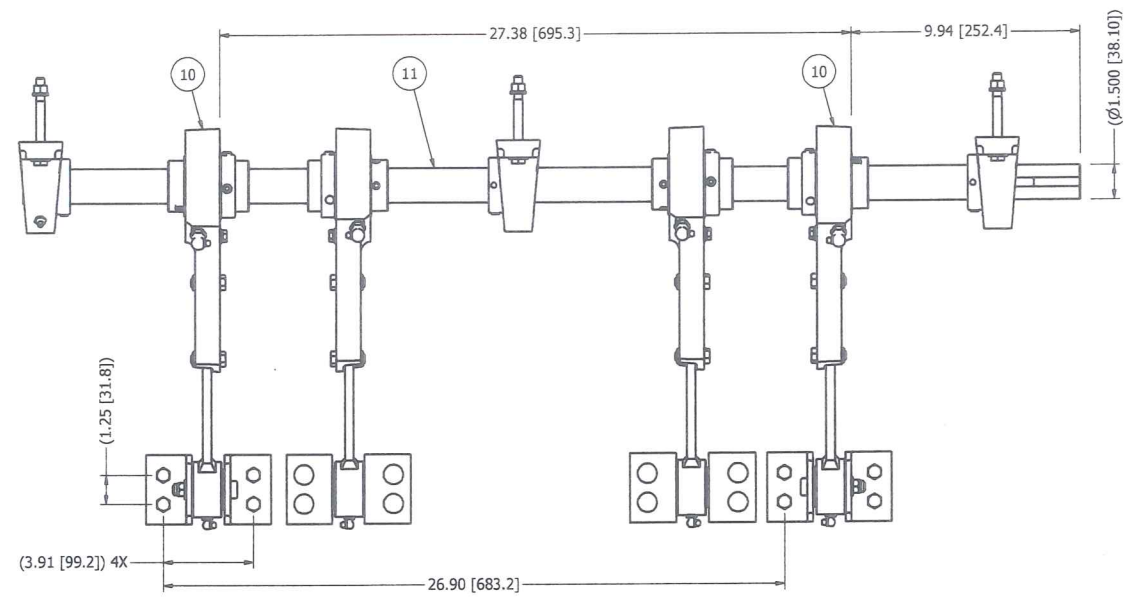


REV	ECN	DESCRIPTION	DATE	APPROVED
A	F110257	RELEASE	12/29/2011	jimoss



ITEM	PART NUMBER	QTY	DESCRIPTION
12	F92401080	3	BEARING, PB 1.500" VAK
11	F60000111	1	SHAFT, ECCENTRIC, ECLIPSE 334
10	F19503600	4	ECCENTRIC ASSY, .500" THROW, 1.500" BORE
9	F19503512	4	PITTMAN ASSY, NEEDLE BEARING, ECLIPSE 334
8	66784400	16	NUT, HEX SERR LOCK 3/8-16
7	66444400	14	WASHER, LOCK HELICAL 3/8"
6	66404400	6	WASHER, FLAT 3/8" NARROW TYPE A
5	66084400	14	NUT, HEX 3/8-16
4	62584446	6	HHCS, 3/8-16 X 3.50"
3	62584426	8	HHCS, 3/8-16 X 1.25"
2	62584422	8	HHCS, 3/8-16 X 1.00"
1	60284428	8	BOLT, CARR 3/8-16 X 1.50"

**DIVISION OF**  
**A.T.FERRELL COMPANY**  
 1440 S ADAMS ST  
 BLUFFTON, INDIANA  
 46714 - USA  
 PH: 280-824-9400  
 FAX: 280-824-5463

This drawing is the property of the A.T. Ferrell Company, Inc and must be returned immediately upon request.  
 No part of this drawing may be reproduced, stored in a retrieval system or transmitted in any form or by any means, without prior written consent of the A.T. Ferrell Company, Inc.

DRAWN BY: jimoss  
 DRAWN DATE: 1/5/2012  
 APPROVED BY: DMJ

TOLERANCES EXCEPT AS NOTED	TITLE:	ECCENTRIC ASSY, RH, ECLIPSE 334		
DECIMAL: XX ± .030	FRACTIONAL: ± 1/32	FINISH:	NONE	
XXX ± .005	ANGULAR: ± 1/2°	SCALE:	1:4	SHEET: 1 OF 1
XXXX ± .001		SIZE:	D	PART NUMBER: F60000112
CAD NO MANUAL CHANGES	SCALE: 1:4	SHEET: 1 OF 1	SIZE: D	PART NUMBER: F60000112

NOTES:  
 1. DO NOT SCALE FROM DRAWING.  
 2. ONE PIECE REQUIRED PER F60000100: CLEANER ASSY, RH, ECLIPSE 334.  
 3. ALTERNATIVE DIMENSIONS [X.X] IN MILLIMETERS.

F60000112

4

A