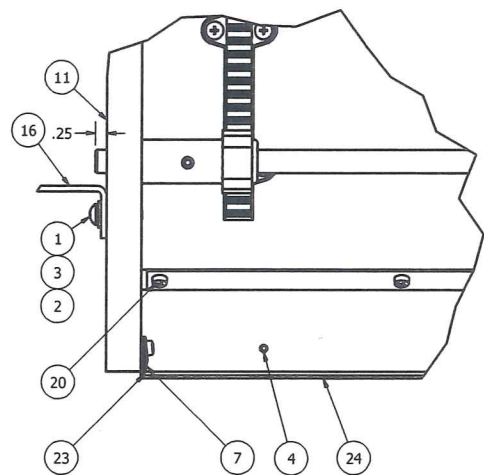
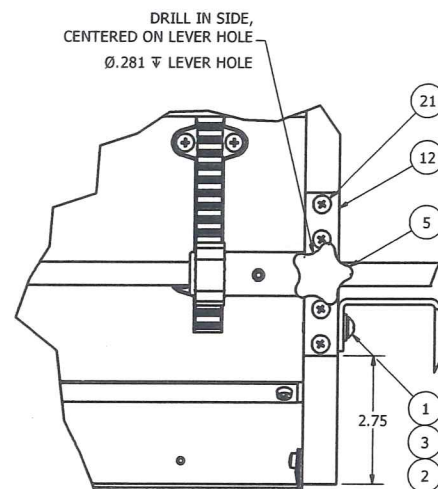
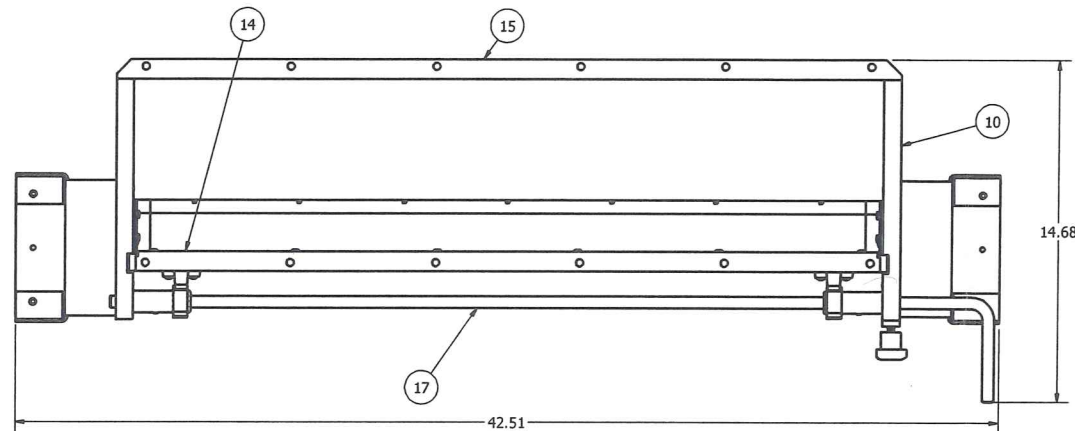


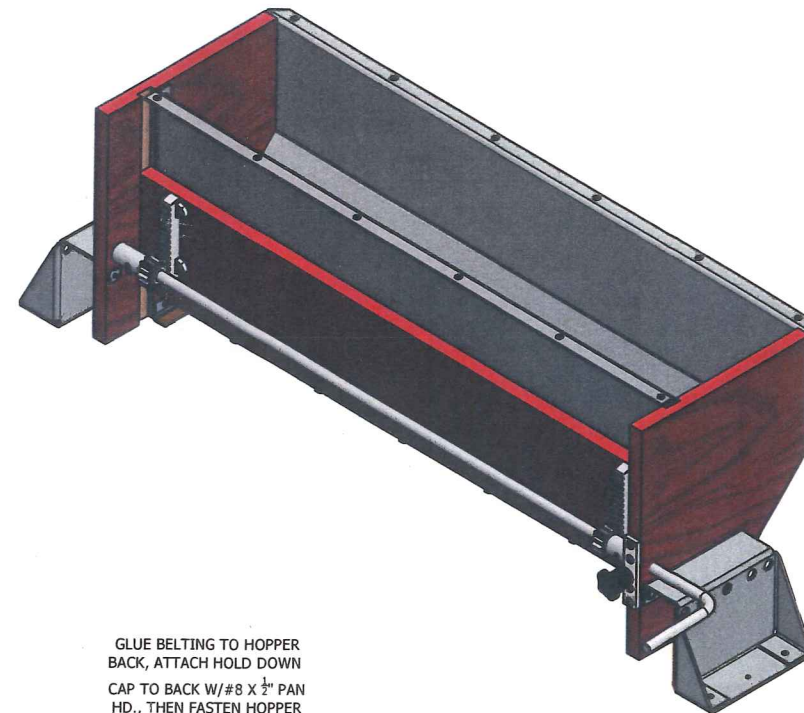
REVISION HISTORY				
REV	ECN	DESCRIPTION	DATE	APPROVED
A	F960052	RELEASE	8/21/1996	DJ
B	F960060	REVISED PER DETAILS	9/14/1996	DJ
C	F110141	DRAWN IN INVENTOR	7/7/2011	jlmoos
D	F120074	ADD 66402600(10)	7/24/2012	dmjohnson



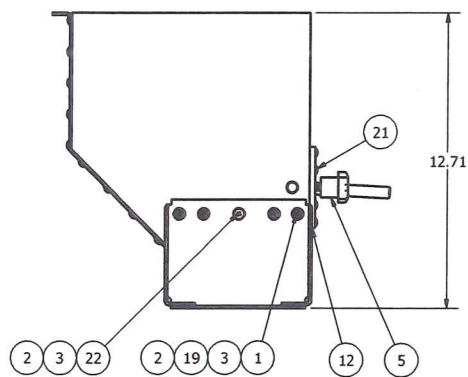
DETAIL C
SCALE 1 / 2



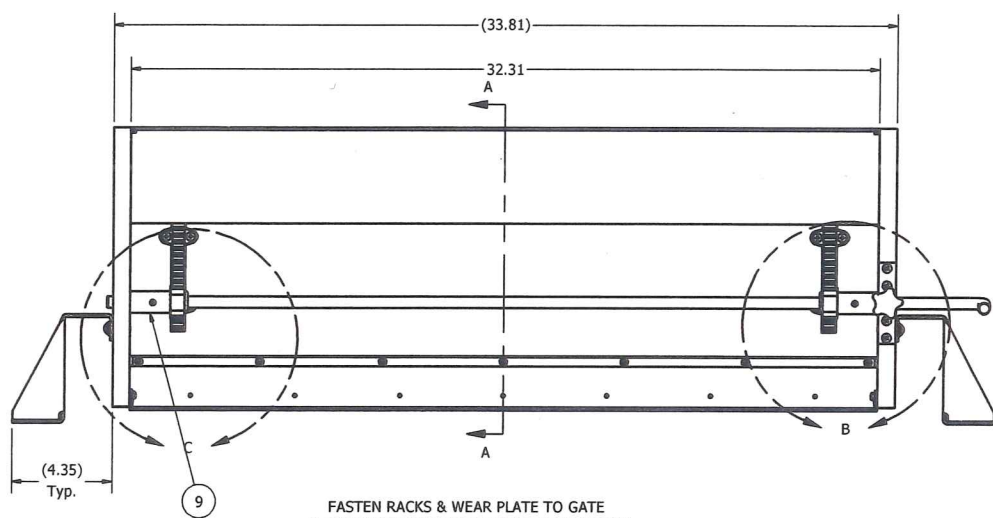
DETAIL B
SCALE 1/2



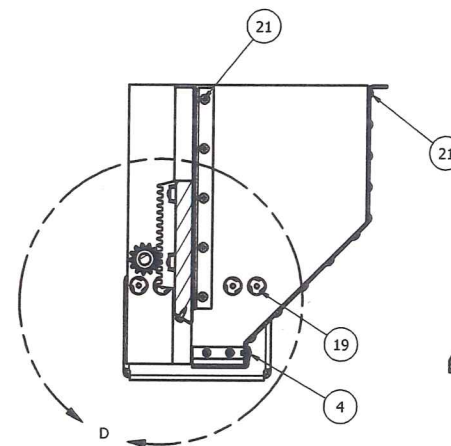
GLUE BELTING TO HOPPER
BACK, ATTACH HOLD DOWN
CAP TO BACK W/#8 X 3/4 PAN
HD., THEN FASTEN HOPPER
BACK TO SIDES



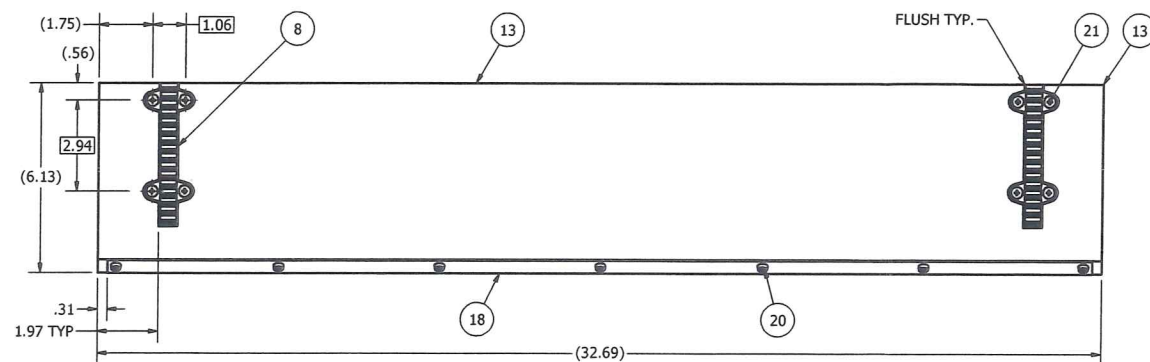
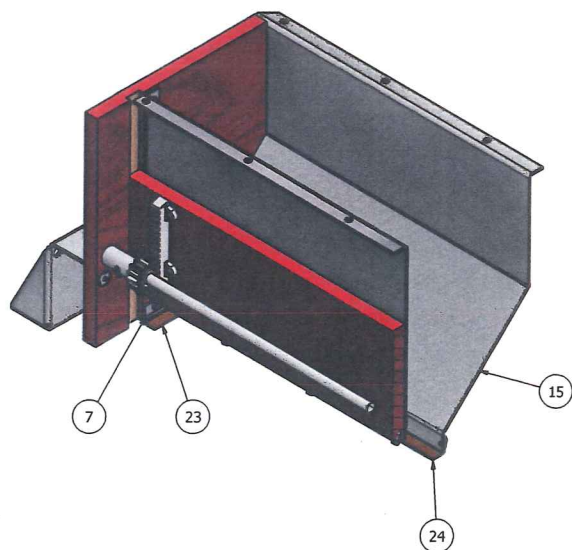
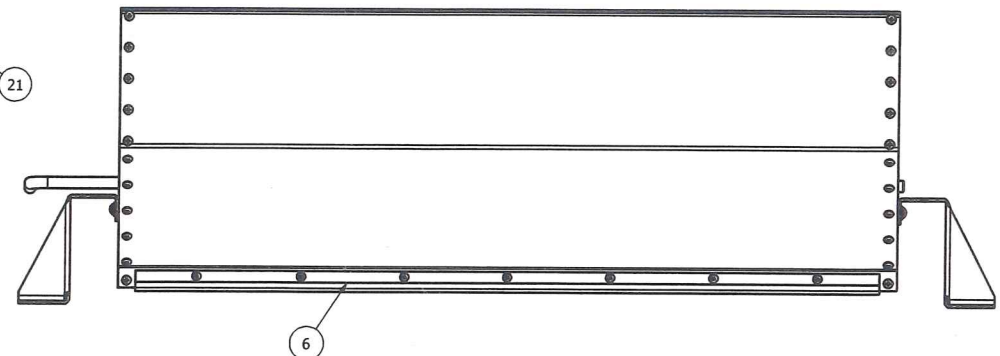
HOPPER SUPPORT DETAIL



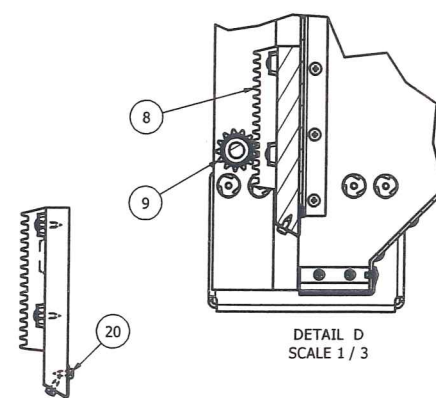
FASTEN RACKS & WEAR PLATE TO GATE
& POSITION IN HOPPER BEFORE ASSEMBLING
LEVER & PINION IN HOPPER



SECTION A-A
SCALE 1 : 4



GATE & RACK ASSEMBLY DETAIL
SCALE 1 / 3



DETAIL D
SCALE 1 / 3

24	F91152004	1	BELTING, 3-PLY FSXFS 1.50 X 32.31"
23	F91152004	2	BELTING, 3-PLY FSXFS 1.50 X 2.25"
22	F83453403	2	SMS, PAN X HD, #10 X 3/4"
21	F83453402	44	SMS, PAN X HD, #8 X 3/4"
20	F83451201	17	SMS, PAN X HD, #8 X 1/2"
19	F70010003	8	NUT, T PLATED, 10-24
18	F60003109	1	PLATE, WEAR, HOPPER GATE, ECLIPSE 334
17	F60003107	1	LEVER, HOPPER GATE, ECLIPSE 334
16	F60003106	2	SUPPORT, HOPPER, ECLIPSE 334
15	F60003105	1	BACK, HOPPER, ECLIPSE 334
14	F60003104	1	FRONT, HOPPER, ECLIPSE 334
13	F60003103	1	GATE, HOPPER, ECLIPSE 334
12	F60003008	1	PLATE, LOCK, HOPPER GATE, ECLIPSE
11	F60003002	1	END, LH, INLET HOPPER, ECLIPSE
10	F60003001	1	END, RH, INLET HOPPER, ECLIPSE
9	F04200900	2	PINION, PLAIN HOPPER .50" DIA
8	F04200800	2	RACK, GEAR, IRON, PLAIN HOPPER
7	F03805600	2	RUBBER HOLD-DOWN STRIP, 2.25"
6	F03805600	1	RUBBER HOLD-DOWN STRIP, 32.31"
5	80006003	1	KNOB, 5 ARM POLYPRO, THRD STUD 1/4-20 X 1.00"
4	70007001	7	RIVET, POP SDSS54 .156X.13-.38"
3	66442600	10	WASHER, LOCK HELICAL #10
2	66402600	10	WASHER, FLAT #10
1	62342622	8	SCW, MACH, PAN X HEAD, 10-24 X 1.00"

ITEM	PART NUMBER	QTY	DESCRIPTION
DIVISION OF A.T.FERRELL COMPANY 1440 S ADAMS ST BLUFFTON, INDIANA 46714 - USA PH: 260-824-3400 FAX: 260-824-5483			
This drawing is the property of the A. T. Ferrell Company, Inc and must be returned immediately upon request. No part of this drawing may be reproduced, stored in a retrieval system or transmitted in any form or by any means, without prior written consent of the A. T. Ferrell Company, Inc.			
DRAWN BY: jlmoss		DRAWN DATE: 7/6/2011	
APPROVED BY:			

TOLERANCES EXCEPT AS NOTED		TITLE:	
DECIMAL:	FRACTIONAL:	HOPPER ASSY, ECLIPSE 334	
XX ± .030	1/32 ± .001		
XXX ± .005	ANGULAR: ± 1/2°		
XXXX ± .001	NONE		
CAD	NO MANUAL CHANGES	SCALE: 1:4	SHEET: 1 OF 1
		SIZE: D	PART NUMBER: F60003100
			REV: D

- NOTES:
1. DO NOT SCALE FROM DRAWING.
2. ONE PIECE REQUIRED PER F60000100: CLEANER ASSY, RH, ECLIPSE 334.