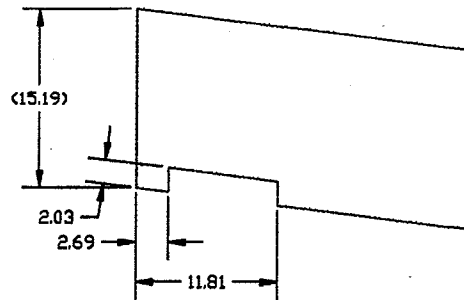
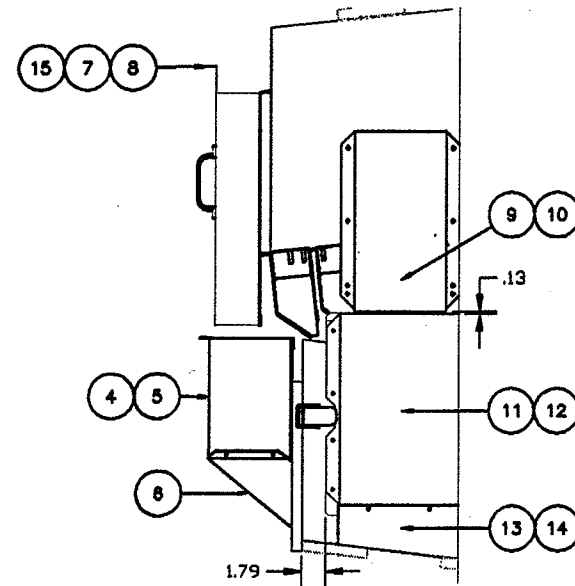


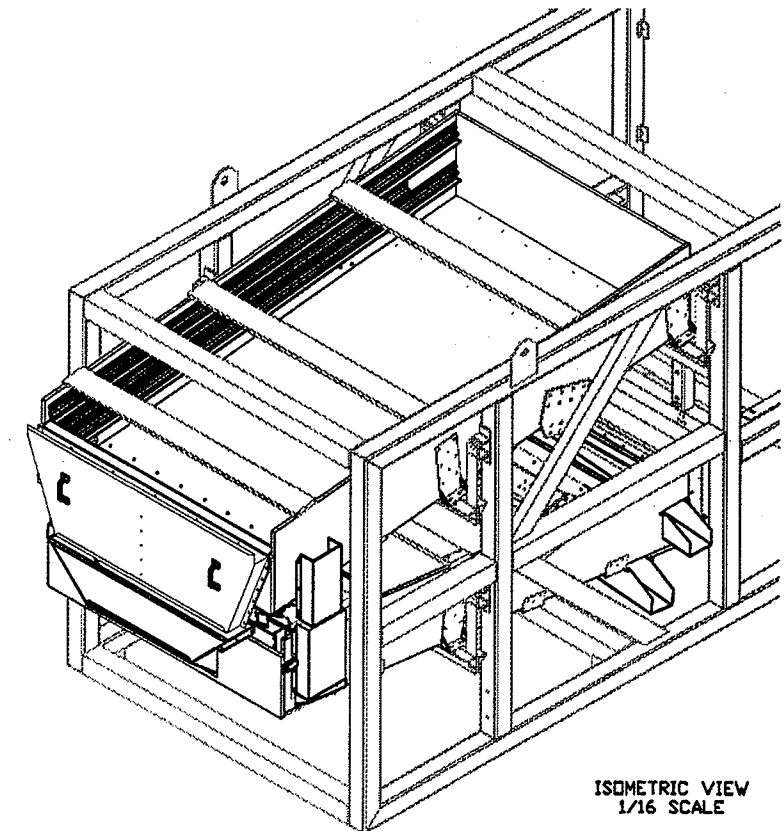
BOTTOM SHOE, DOOR
CUTOUT DETAIL
1/8 SCALE



BOTTOM SHOE, SIDE
CUTOUT DETAIL
1/8 SCALE

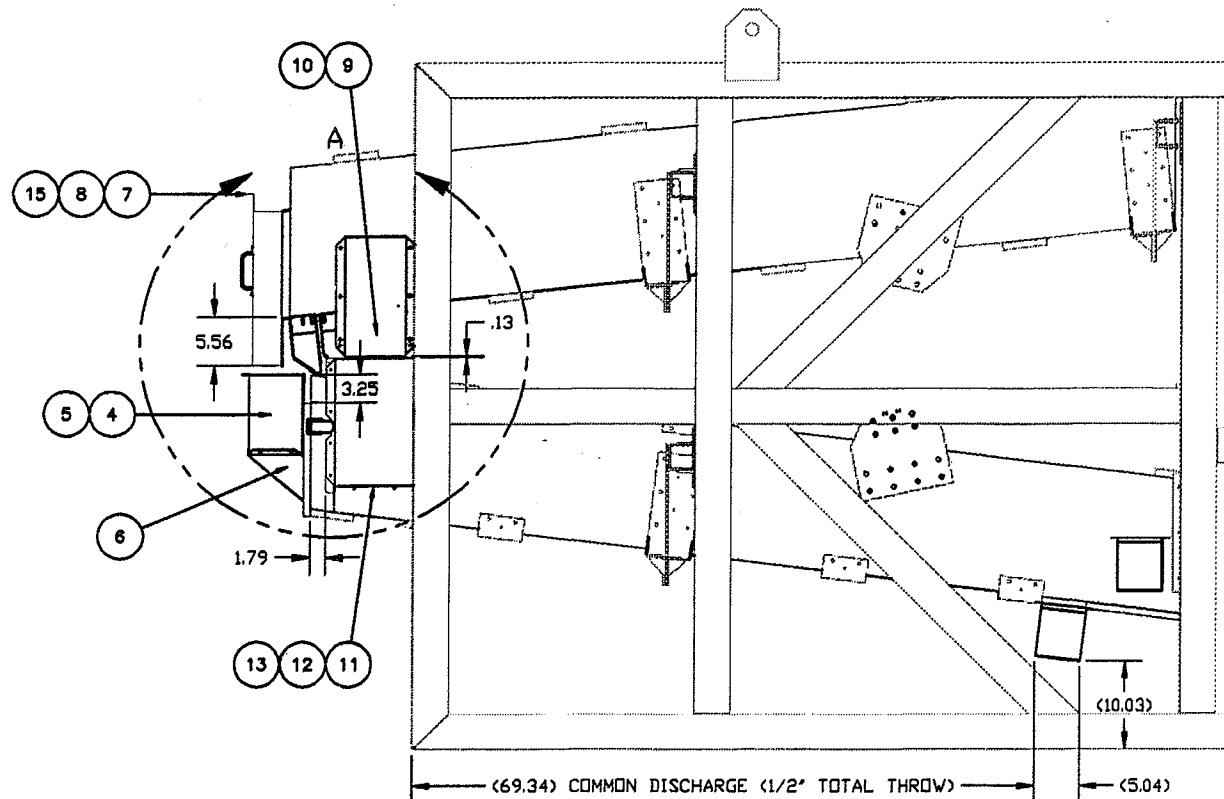
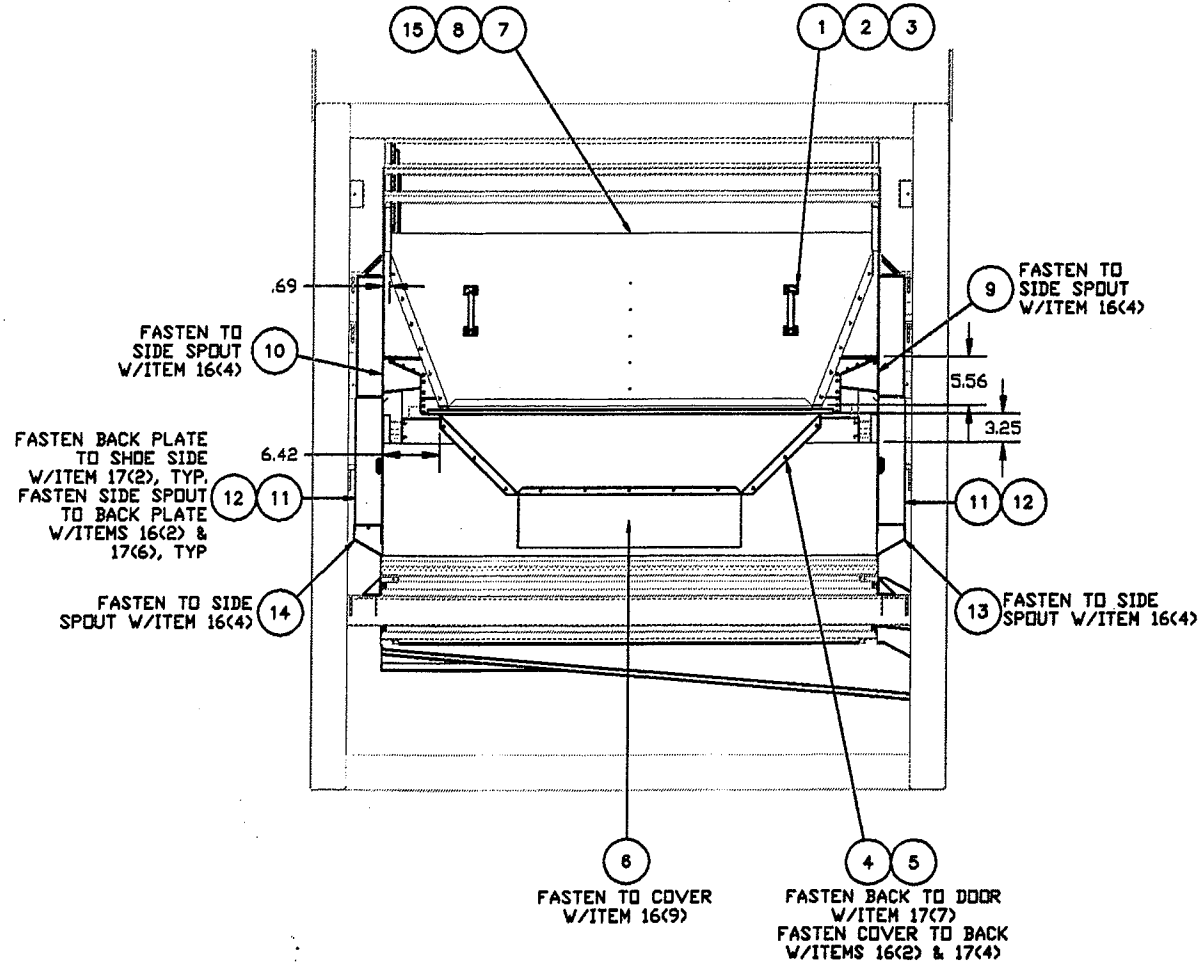


VIEW A
9/64 SCALE



ISOMETRIC VIEW
1/16 SCALE

FASTEN BACK PLATE TO DOOR W/ITEM 17(7)
FASTEN STIFFENER TO BACK PLATE W/ITEM 17(3)
FASTEN COVER TO BACK PLATE W/ITEMS 16(4) & 17(8)
FASTEN COVER TO STIFFENER W/ITEM 16(5)
TWO HANDLES (F90000001) FROM
TOP SHOE ASSY. F61001320.
FOUR FASTENERS PER HANDLE



17	F83453402	58	SCW, SMS #8 X 3/4" PAN HD
16	F83200011	41	RIVET-POP SDS64 .188X.125-.250"
15	F81001034	1	STIFFENER, CATCHALL, TOP SHOE, COMM DISCH PKG 486
14	F81001033	1	DEFLECTOR, LH SIDE SPT, COMM DISCH PKG 486
13	F81001032	1	DEFLECTOR, RH SIDE SPT, COMM DISCH PKG 486
12	F81001031	2	SPOUT, SIDE, BTM SHOE, COMM DISCH 486
11	F81001030	2	BACK PLT, SIDE SPOUT, BTM SHOE, COMM DISCH 486
10	F81001029	1	BACK PLT, LH SIDE SPOUT, TOP SHOE 486
9	F81001028	1	BACK PLT, RH SIDE SPOUT, TOP SHOE 486
8	F81001027	1	BACK, CATCHALL, TOP SHOE, COMM DISCH PKG 486
7	F81001026	1	CVR, CATCHALL, TOP SHOE, COMM DISCH PKG 486
6	F81001020	1	SPOUT, CATCHALL, BTM SHOE, COMM DISCH PKG 1360
5	F81001019	1	BACK, CATCHALL, BTM SHOE, COMM DISCH PKG 1360
4	F81001018	1	CVR, CATCHALL, BTM SHOE, COMM DISCH PKG 1360
3	86442200	8	WASHER, LOCK #8
2	86082200	8	NUT, HEX 8-32 PLT
1	61862212	8	SCW, FLT SLT HD MACH 8/32 X 1/2"
Item	PART NUMBER	Qty	DESCRIPTION

This drawing is the property of Bluffton Agri/Industrial Corp. and must be returned immediately upon request. No part of this drawing may be reproduced, stored in a retrieval system or transmitted in any form or by any means, without the prior written consent of Bluffton Agri/Industrial Corp.

NOTES:
1: DO NOT SCALE FROM DRAWING.
2: COMPONENTS TO DELETE FROM TOP SHOE: F81001320 (ON SALES ORDER); 60143880(1), 66083800(2), 86383800(1), 86403800(1), 86443800(2), F81001008(2), F81001207(1), F81001214(1), F83200011(18) & F83453402(25).
3: COMPONENTS TO DELETE FROM BOTTOM SHOE: F81001420 (ON SALES ORDER); F81001327(2), F89881262(1), F89881263(1), F83200011(4) & F83453402(38).

CAD NO MANUAL CHANGES			
TOLERANCES (UNLESS AS NOTED)		A DESIGN OF BLUFFTON AGRI CORP. SINCE 1988	
DATE: 11/28/99	SCALE: NONE	DRAWN BY: DJ	APPROVED BY: X.X.X.
DRAWING TITLE: COMMON DISCHARGE PACKAGE 486			
ANGLAR: 1/2"	DATE: 11/28/99	REV: D	DRAWING NO.: F81001025
			SHEET: 1 of 1