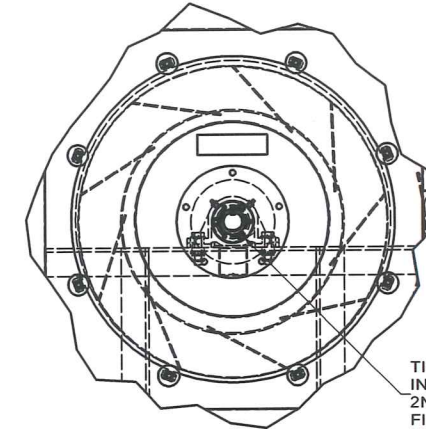
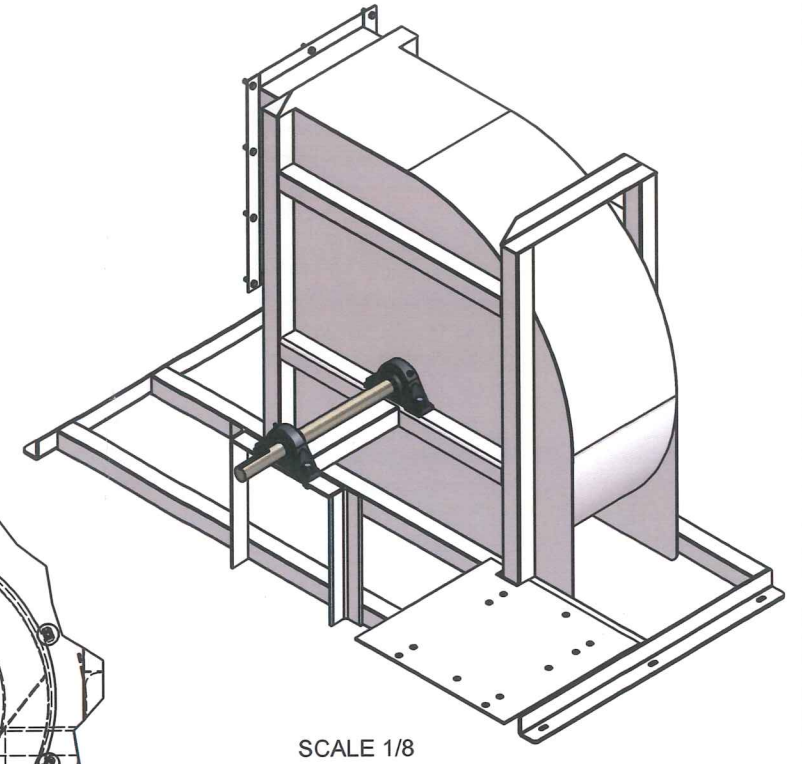
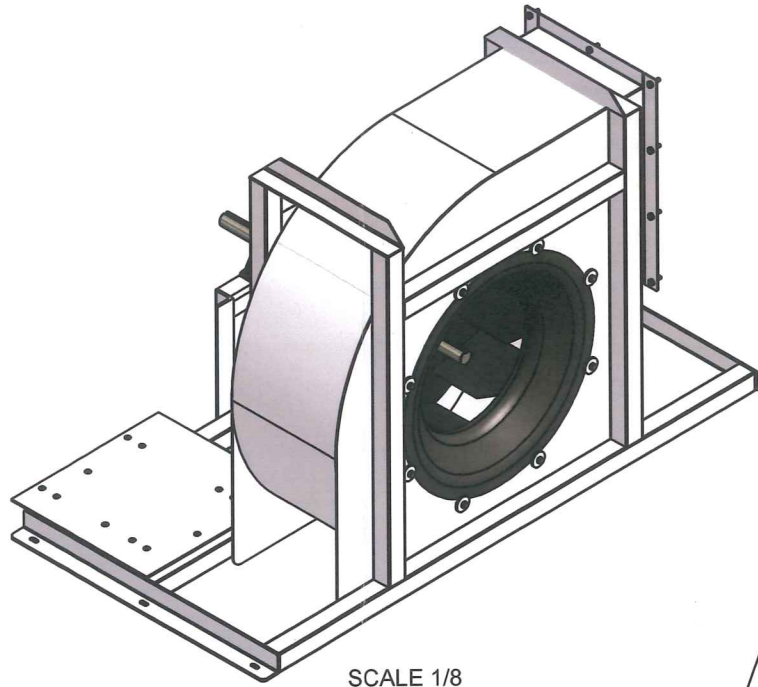
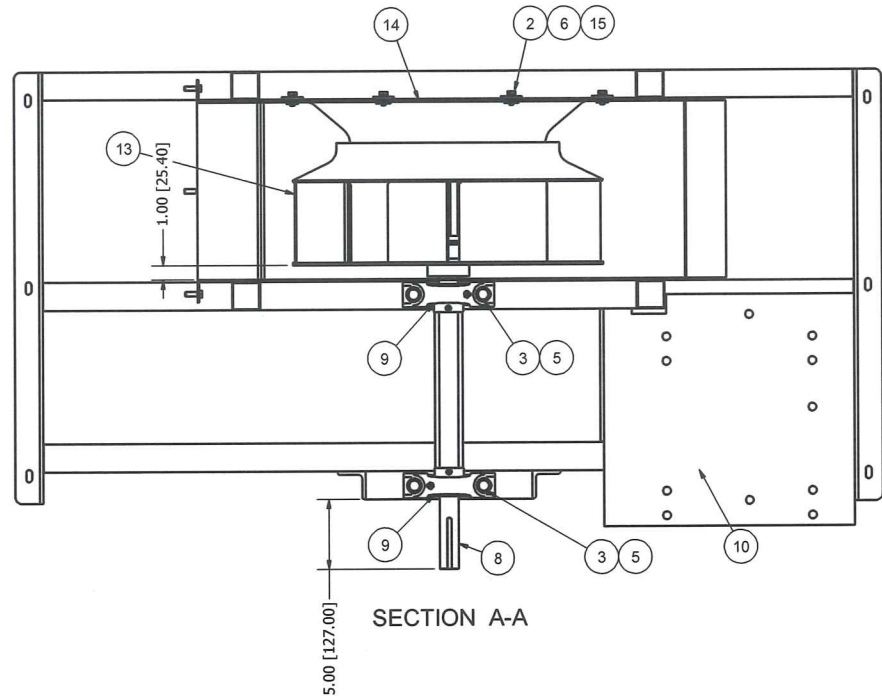
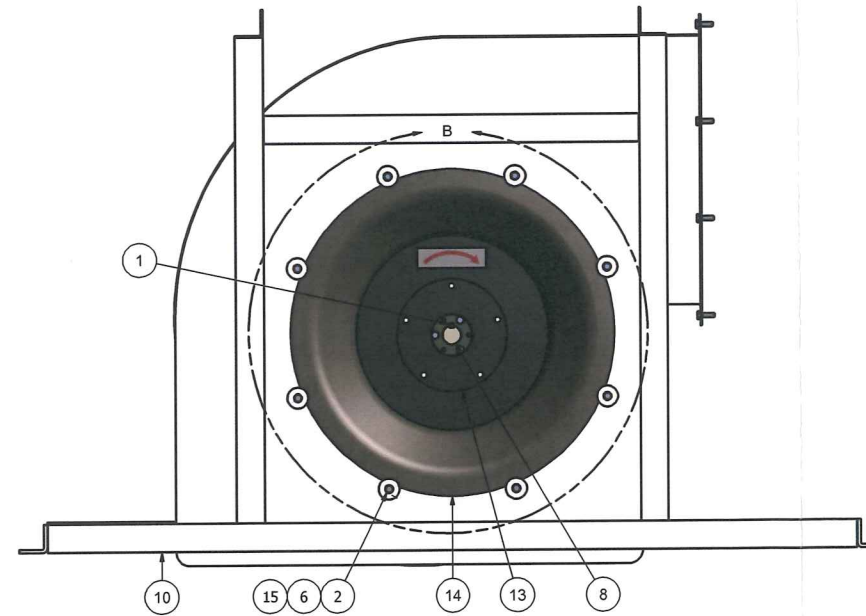
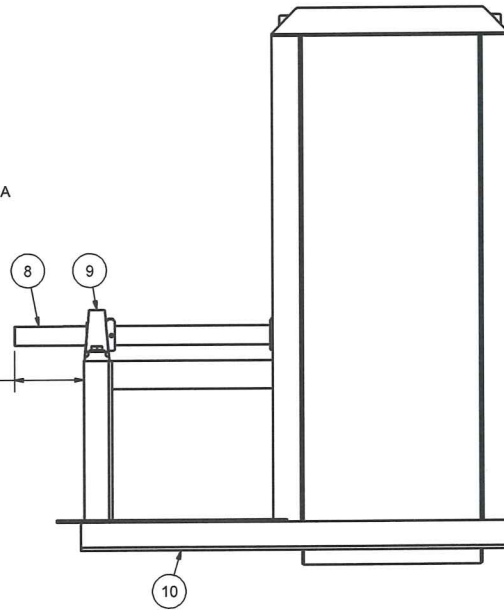
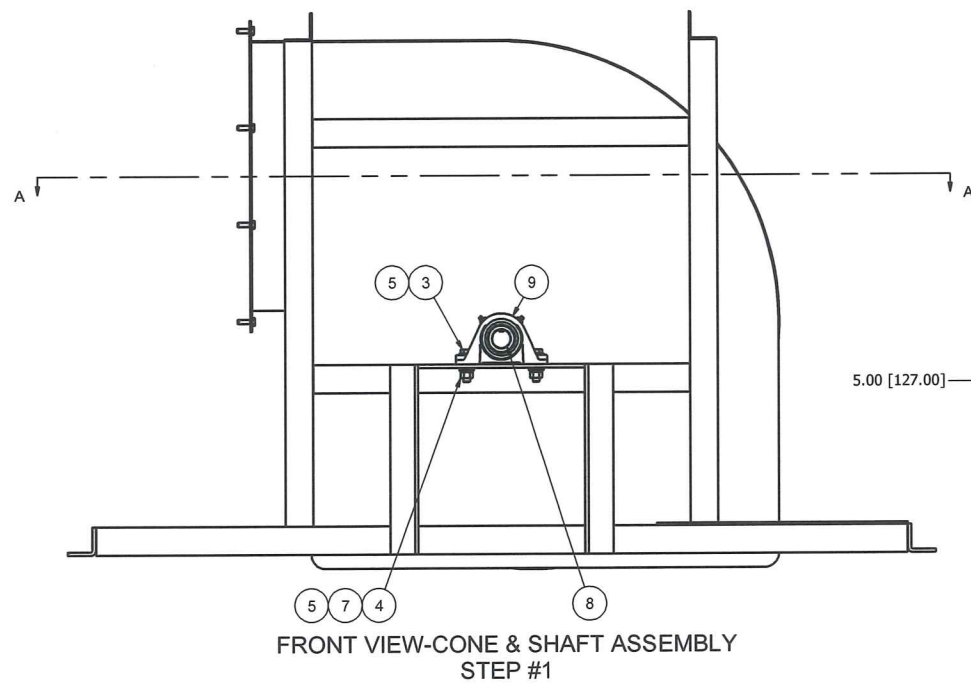


REVISION HISTORY				
REV	ECN	DESCRIPTION	DATE	APPROVED
A	F980038	ELIM F90006290, RELEASE F11305478	7/20/1998	DMJOHNSON
B	F060089	REDRAWN INVENTOR	8/26/2006	DMJOHNSON
C	F070098	TITLE WAS FAN HOUSING WLDMT, RH CONQUEST, ADD F61002010(1)	10/26/2007	DMJOHNSON
D	F080116	F80017532 WAS F80017533	10/26/2007	dmjohnson



TIGHTEN FAN HUB BOLTS PROGRESSIVELY:
INITIAL TIGHTENING TORQUE: 84 LB-IN, 7 LB-FT [9.5 N-m]
2ND TIGHTENING TORQUE: 132 LB-IN, 11 LB-FT [14.9 N-m]
FINAL TIGHTENING TORQUE: 192 LB-IN, 16 LB-FT [21.7 N-m]

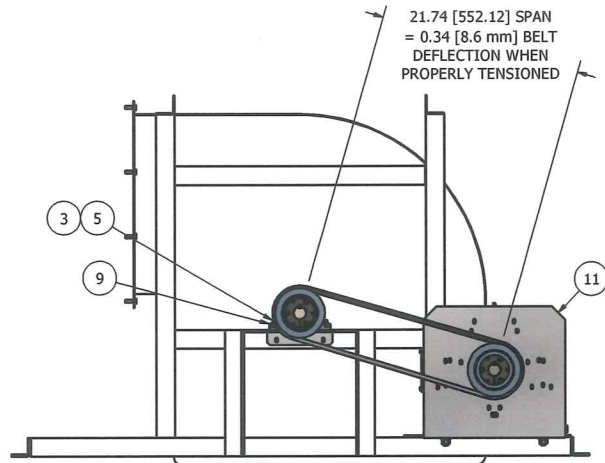


ITEM	PART NUMBER	QTY	DESCRIPTION
15	F84620134	8	WASHER, FLAT 1.50 X .438 X .18"
14	F80017534	1	CONE, FAN INLET 72 DEGREE, 2000 SQB
13	F80017532	1	FAN WHEEL, CCW 1.375" SQB 2000
12	F61002080	1	MTR PKG, BK FAN 15HP 3/18 60 230/460V, CONQUEST
11	F61002030	1	MTR PKG, BK FAN 10HP 3/18 60 208-230/460V, CONQUEST
10	F61002010	1	HOUSING WLDMT, RH FAN, CONQUEST
9	F40000074	2	BEARING, PB 1.375" RAK
8	F11308831	1	SHAFT, PARALLEL FAN, NG
7	66445200	4	WASHER, LOCK HELICAL 1/2"
6	66443800	8	WASHER, LOCK HELICAL 5/16"
5	66405200	8	WASHER, FLAT 1/2" TYPE A
4	66085200	4	NUT, HEX 1/2-13
3	62585233	4	HHCS, 1/2-13 X 2.00"
2	62583817	8	HHCS, 5/16-18 X .75"
1	49000748	1	KEY, SQUARE 5/16 X 3.00"

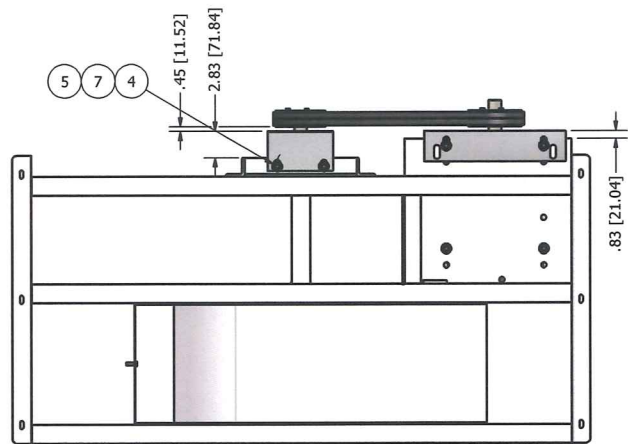
- NOTES:
- DO NOT SCALE FROM DRAWING.
 - ONE PIECE REQUIRED PER CLEANER ASSY, RH & LH/LH, CONQUEST/508.
 - SEE F61002001 FOR LH FAN HOUSING ASSY.
 - * REFERENCE ONLY, NOT INCLUDED IN MANUFACTURING BILL OF MATERIAL.
 - SEE SHEET 2 FOR F61002030 (10 HP) INSTALLATION DETAIL.
 - SEE SHEET 3 FOR F61002050 (15 HP) INSTALLATION DETAIL.

This drawing is the property of the A.T. Ferrell Company, Inc and must be returned immediately upon request. No part of this drawing may be reproduced, stored in a retrieval system or transmitted in any form or by any means, without prior written consent of the A.T. Ferrell Company, Inc.		CAD		NO MANUAL CHANGES EXCEPT AS NOTED		TOLERANCES UNLESS NOTED		DECIMAL: .005 FRACTIONAL: 1/32		DIVISION OF A.T. FERRELL COMPANY		SCALE: 0.15:1		DRAWN BY: dmjohnson		APPROVED BY: DMJ	
TITLE: FAN HOUSING ASSY, RH, CONQUEST										DATE: 4/1/2007		PART NUMBER: F61002000		SHEET: 1 of 3			

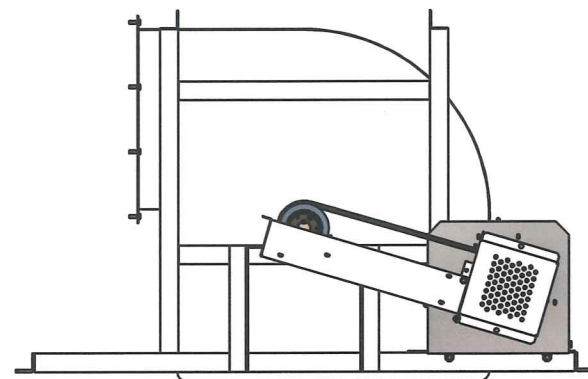
REVISION HISTORY				
REV	ECN	DESCRIPTION	DATE	APPROVED
A	F980038	ELIM F90006290, RELEASE F11305478	7/20/1998	DMJOHNSON
B	F060089	REDRAWN INVENTOR	8/26/2006	DMJOHNSON
C	F070098	TITLE WAS FAN HOUSING WLDMT, RH CONQUEST, ADD F61002010(1)	10/26/2007	DMJOHNSON
D	F080116	F80017532 WAS F80017533	10/26/2007	dmjohnson



SHEAVE & GUARD BRACKET ASSEMBLY, 10 HP
STEP #2

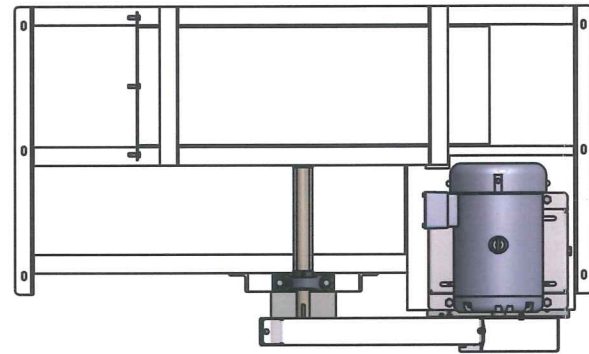


BOTTOM VIEW, STEP #2

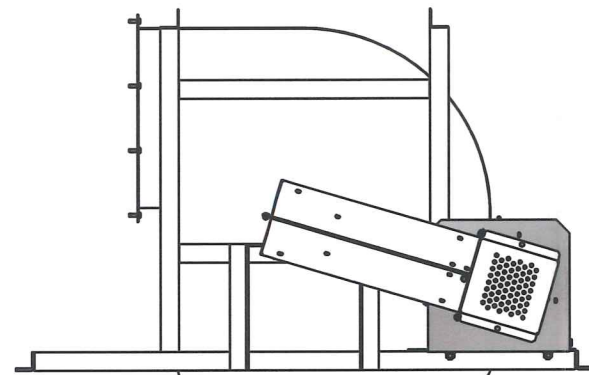


GUARD ASSEMBLY, 10 HP
STEP #3

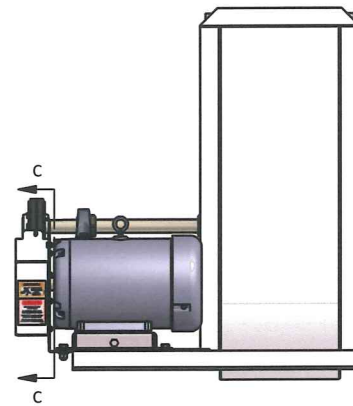
- NOTES:
- DO NOT SCALE FROM DRAWING.
 - ONE PIECE REQUIRED PER CLEANER ASSY, RH & LH/LH, CONQUEST/508.
 - SEE F61002001 FOR LH FAN HOUSING ASSY.
 - * REFERENCE ONLY, NOT INCLUDED IN MANUFACTURING BILL OF MATERIAL.
 - SEE SHEET 1 FOR FAN WHEEL & SHAFT INSTALLATION DETAIL.
 - SEE SHEET 3 FOR F61002050 (15 HP) INSTALLATION DETAIL.



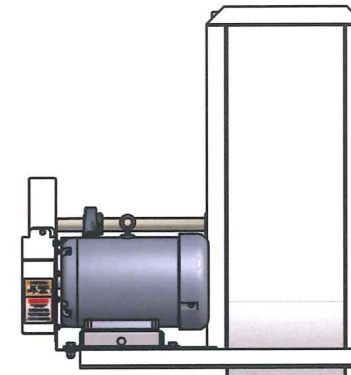
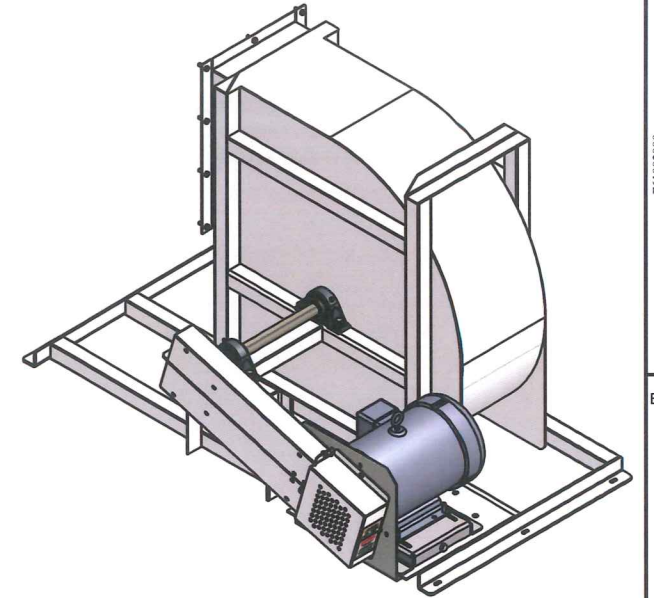
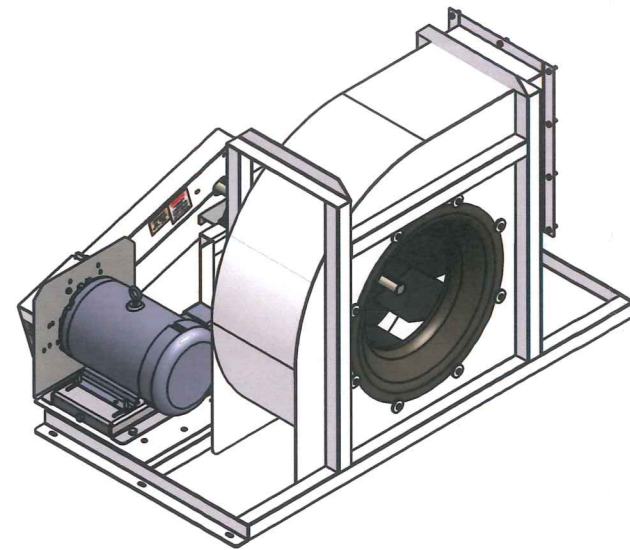
COMPLETE, 10 HP



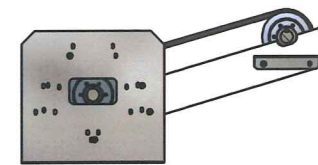
COMPLETE, 10 HP



STEP #3, 10 HP



COMPLETE, 10 HP



SECTION C-C

ITEM	PART NUMBER	QTY	DESCRIPTION
15	F84620134	8	WASHER, FLAT 1.50 X .438 X .18"
14	F80017534	1	CONE, FAN INLET 72 DEGREE, 2000 SQB
13	F80017532	1	FAN WHEEL, CCW 1.375" SQB 2000
12	F61002080	1	MTR PKG, BK FAN 15HP 3/18 60 230/460V, CONQUEST
11	F61002030	1	MTR PKG, BK FAN 10HP 3/18 60 208-230/460V, CONQUEST
10	F61002010	1	HOUSING WLDMT, RH FAN, CONQUEST
9	F40000074	2	BEARING, PB 1.375" RAK
8	F11308831	1	SHAFT, PARALLEL FAN, NG
7	66445200	4	WASHER, LOCK HELICAL 1/2"
6	66443800	8	WASHER, LOCK HELICAL 5/16"
5	66405200	8	WASHER, FLAT 1/2" TYPE A
4	66085200	4	NUT, HEX 1/2-13
3	62585233	4	HHCS, 1/2-13 X 2.00"
2	62583817	8	HHCS, 5/16-18 X .75"
1	49000748	1	KEY, SQUARE 5/16 X 3.00"

This drawing is the property of the A.T. Ferrell Company, Inc. and must be returned immediately upon request. No part of this drawing may be reproduced, stored in a retrieval system or transmitted in any form or by any means, without prior written consent of the A.T. Ferrell Company, Inc.

CAD

NO MANUAL CHANGES TOLERANCES EXCEPT AS NOTED

DIVISION OF A. T. FERRELL COMPANY

BLUFFTON, INDIANA - USA

FINISH: NONE

SCALE: 0.15:1

DRAWN BY: dmjohnson

APPROVED BY: DMJ

TITLE: FAN HOUSING ASSY, RH, CONQUEST

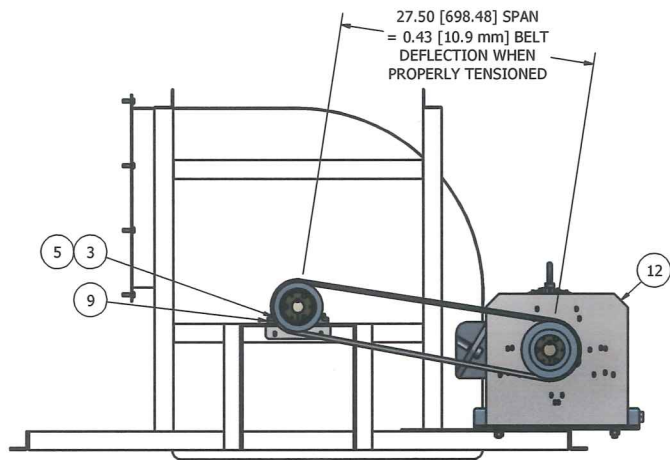
DATE: 4/1/2007

SIZE: D

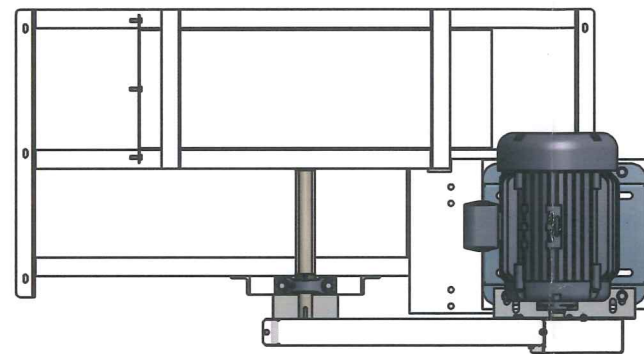
PART NUMBER: F61002000

SHEET: 2 of 3

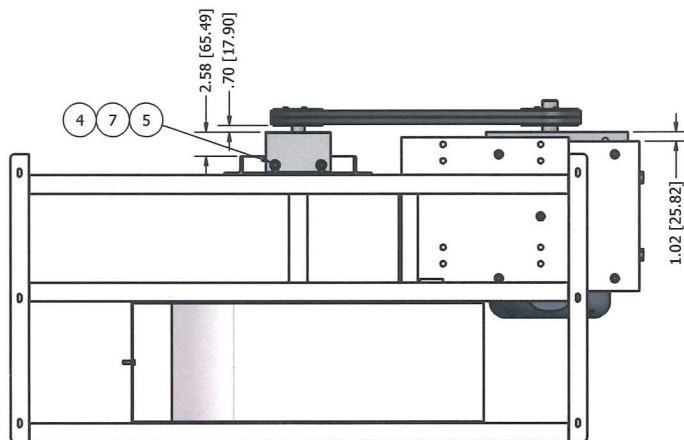
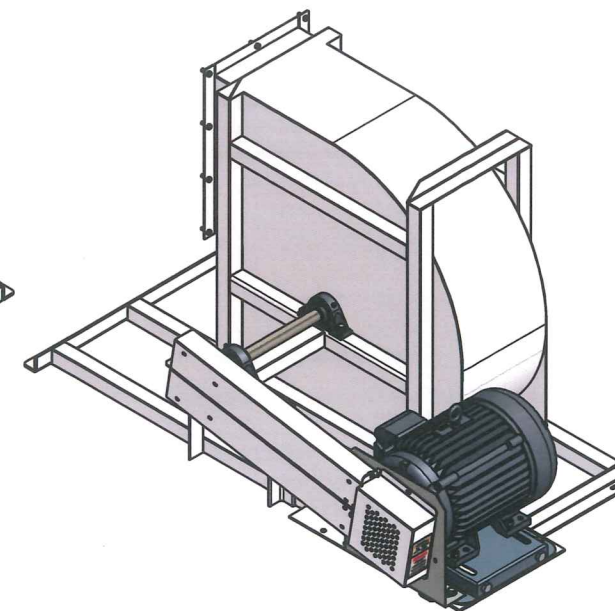
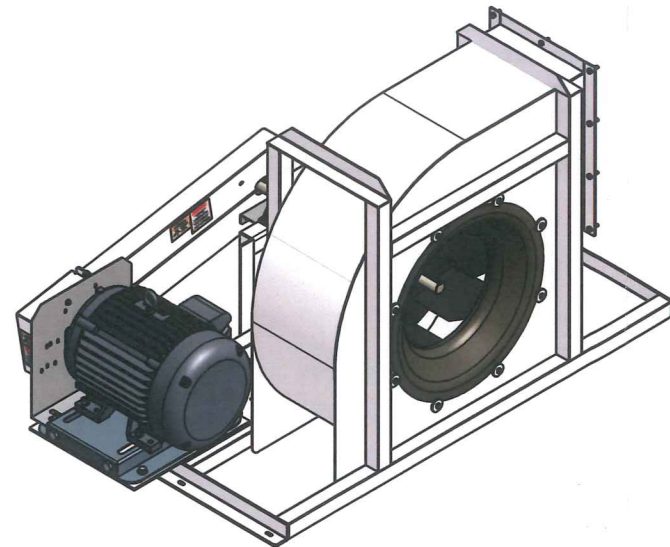
REVISION HISTORY				
REV	ECN	DESCRIPTION	DATE	APPROVED
A	F980038	ELIM F90006290, RELEASE F11305478	7/20/1998	DMJOHNSON
B	F060089	REDRAWN INVENTOR	8/26/2006	DMJOHNSON
C	F070098	TITLE WAS FAN HOUSING WLDMT, RH CONQUEST, ADD F61002010(1)	10/26/2007	DMJOHNSON
D	F080116	F80017532 WAS F80017533	10/26/2007	dmjohnson



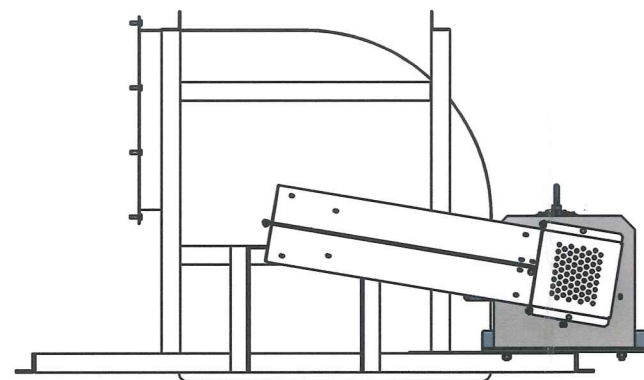
SHEAVE & GUARD BRACKET ASSEMBLY, 15 HP
STEP #2



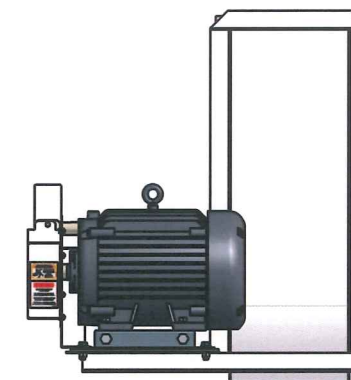
COMPLETE, 15 HP



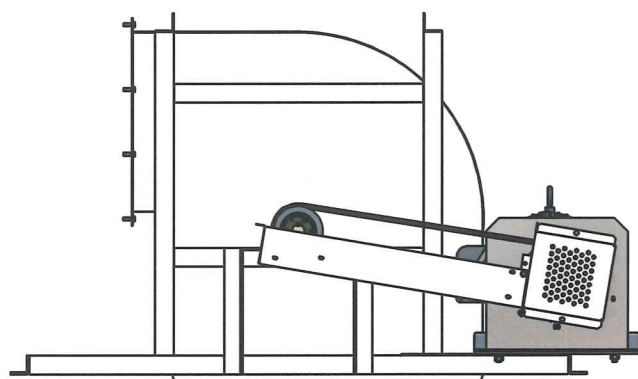
BOTTOM VIEW, STEP #2



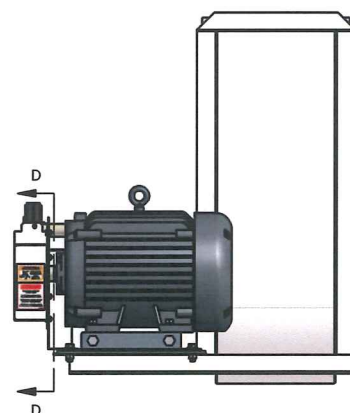
COMPLETE, 15 HP



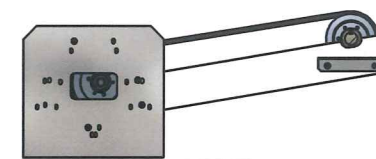
COMPLETE, 15 HP



GUARD ASSEMBLY, 15 HP
STEP #3



STEP #3



SECTION D-D

ITEM	PART NUMBER	QTY	DESCRIPTION
15	F84620134	8	WASHER, FLAT 1.50 X .438 X .18"
14	F80017534	1	CONE, FAN INLET 72 DEGREE, 2000 SQB
13	F80017532	1	FAN WHEEL, CCW 1.375" SQB 2000
12	F61002080	1	MTR PKG, BK FAN 15HP 3/18 60 230/460V, CONQUEST
11	F61002030	1	MTR PKG, BK FAN 10HP 3/18 60 208-230/460V, CONQUEST
10	F61002010	1	HOUSING WLDMT, RH FAN, CONQUEST
9	F40000074	2	BEARING, PB 1.375" RAK
8	F11308831	1	SHAFT, PARALLEL FAN, NG
7	66445200	4	WASHER, LOCK HELICAL 1/2"
6	66443800	8	WASHER, LOCK HELICAL 5/16"
5	66405200	8	WASHER, FLAT 1/2" TYPE A
4	66085200	4	NUT, HEX 1/2-13
3	62585233	4	HHCS, 1/2-13 X 2.00"
2	62583817	8	HHCS, 5/16-18 X .75"
1	49000748	1	KEY, SQUARE 5/16 X 3.00"

- NOTES:
- DO NOT SCALE FROM DRAWING.
 - ONE PIECE REQUIRED PER CLEANER ASSY, RH & LH/LH, CONQUEST/508.
 - SEE F61002001 FOR LH FAN HOUSING ASSY.
 - * REFERENCE ONLY, NOT INCLUDED IN MANUFACTURING BILL OF MATERIAL.
 - SEE SHEET 1 FOR FAN WHEEL & SHAFT INSTALLATION DETAIL.
 - SEE SHEET 2 FOR F61002030 (10 HP) INSTALLATION DETAIL.

This drawing is the property of the A.T. Ferrell Company, Inc. and must be returned immediately upon request. No part of this drawing may be reproduced, stored in a retrieval system or transmitted in any form or by any means, without prior written consent of the A.T. Ferrell Company, Inc.

CAD
NO MANUAL CHANGES
TOLERANCES EXCEPT AS NOTED

FINISH: NONE
SCALE: 0.15:1
DRAWN BY: dmjohnson
APPROVED BY: DMJ

TITLE: FAN HOUSING ASSY, RH, CONQUEST
DATE: 4/1/2007
SIZE: D
PART NUMBER: F61002000
SHEET: 3 of 3