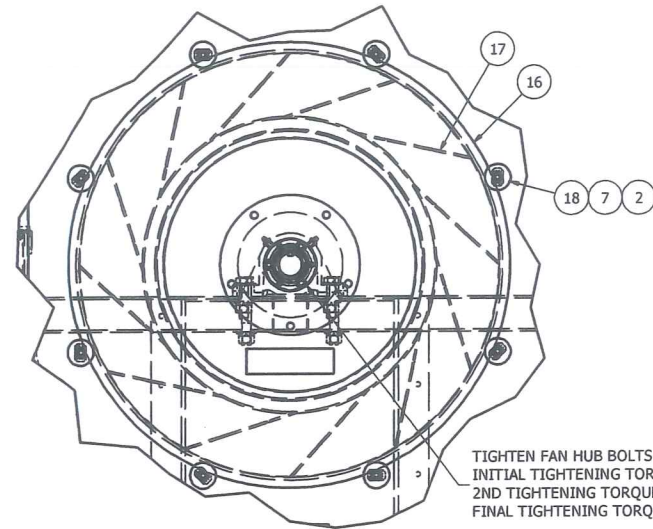
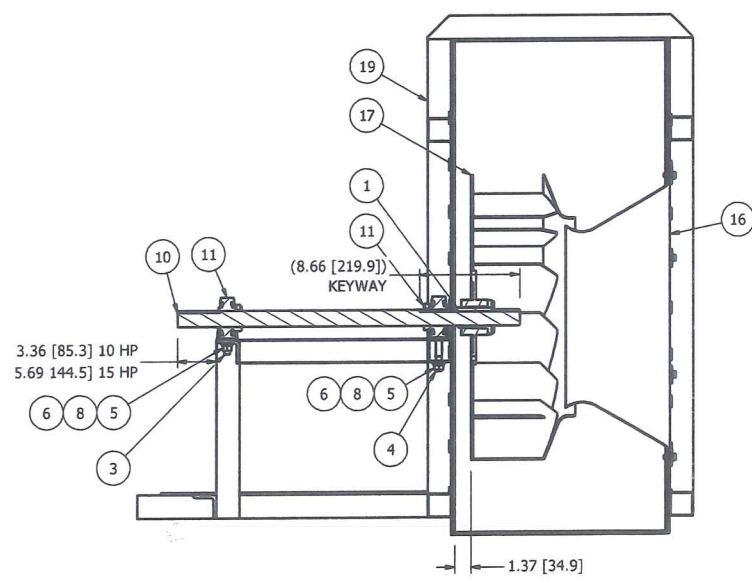
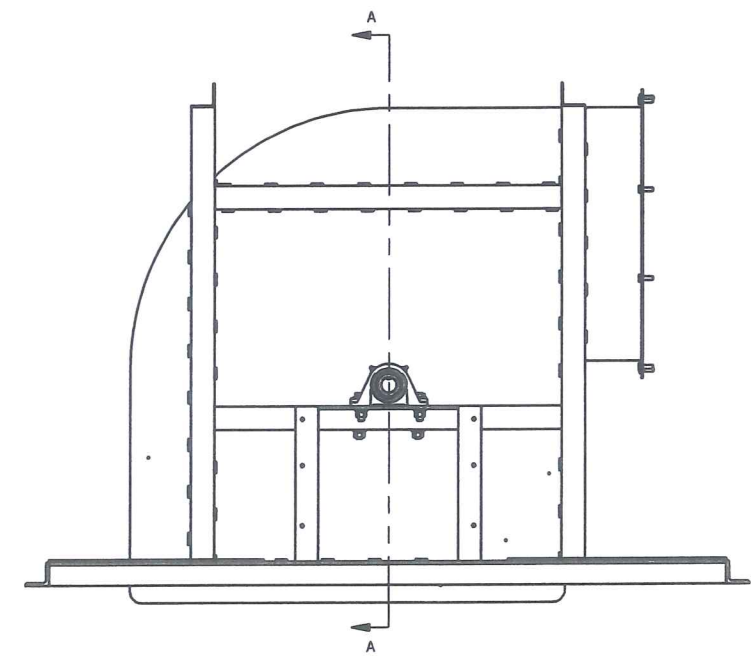
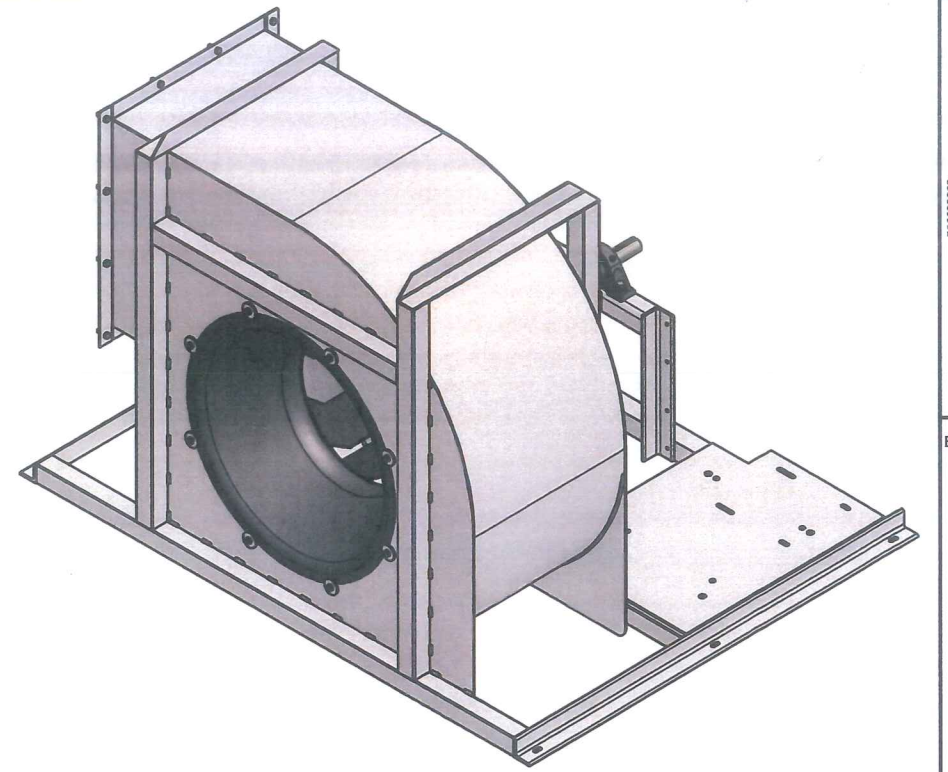
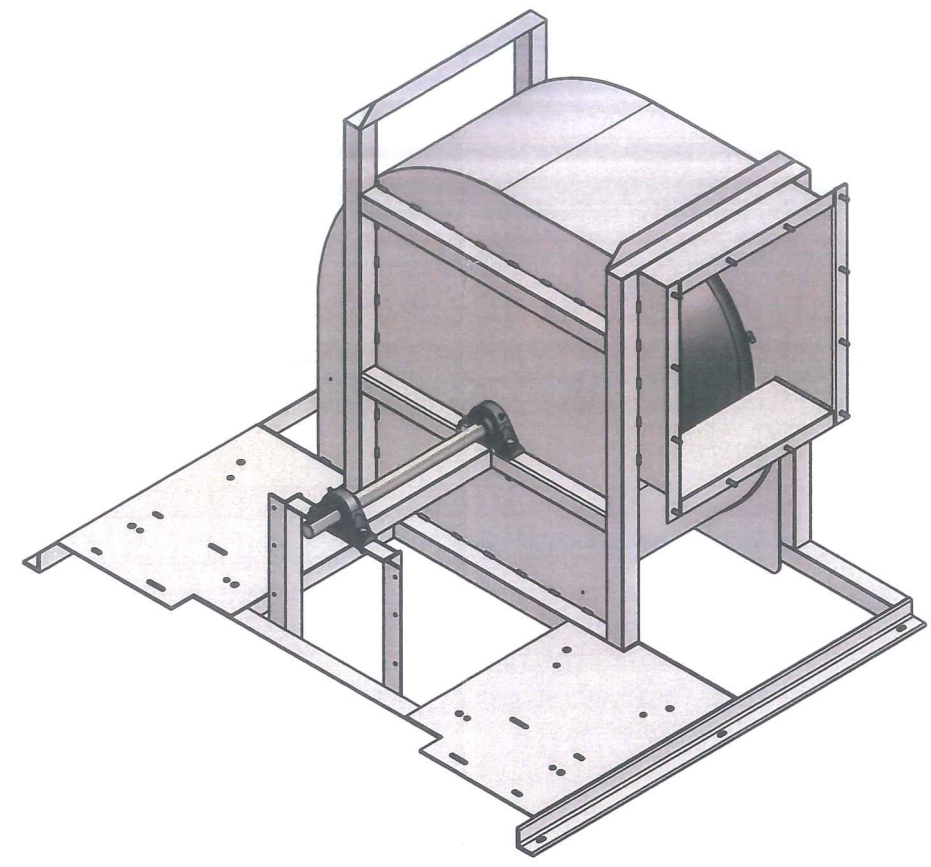


REVISION HISTORY				
REV	ECN	DESCRIPTION	DATE	APPROVED
A	F140143	RELEASE	9/9/2014	dmjohnson

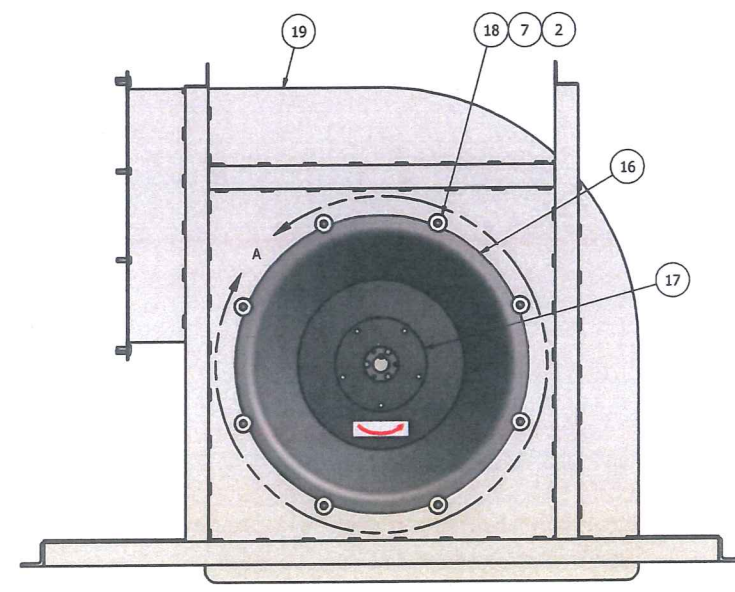


TIGHTEN FAN HUB BOLTS PROGRESSIVELY:
 INITIAL TIGHTENING TORQUE: 84LB-IN, 7 LB-FT [9.5 N-m]
 2ND TIGHTENING TORQUE: 132 LB-IN, 11 LB-FT [14.9 N-m]
 FINAL TIGHTENING TORQUE: 192 LB-IN, 16 LB-FT [21.7 N-m]

DETAIL A
 SCALE 3/16



SECTION A-A
 SCALE 1/8



ITEM	PART NUMBER	QTY	DESCRIPTION
19	F90006565	1	WLDMT, FAN / MOTOR MOUNT LH
18	F84620134	8	WASHER, FLAT 1.50 X .438 X .18"
17	F80017528	1	FAN WHEEL, CW 1.375" SQB 2225 LH
16	F80017527	1	CONE INLET 100%
15	F66682330	1	MOTOR BACK FAN NG 15HP STANDARD
14	F66682030	1	MOTOR BACK FAN NG 10HP STANDARD
13	F62240089	1	GUARD, FAN MOTOR, TITAN
12	F62240087	1	BACK PLATE, FAN MOTOR, RH, TITAN
11	F40000074	2	BEARING, PB 1.375" RAK
10	F11308831	1	SHAFT, PARALLEL FAN, NG
9	66783300	3	NUT, HEX SERR LOCK 1/4-20
8	66445200	4	WASHER, LOCK HELICAL 1/2"
7	66443800	8	WASHER, LOCK HELICAL 5/16"
6	66405200	8	WASHER, FLAT 1/2" TYPE A
5	66085200	4	NUT, HEX 1/2-13
4	62585246	2	HHCS, 1/2-13 X 3.50"
3	62585233	2	HHCS, 1/2-13 X 2.00"
2	62583817	8	HHCS, 5/16-18 X .75"
1	49000748	1	KEY, SQUARE 5/16 X 3.00"

- NOTES:
- DO NOT SCALE FROM DRAWING.
 - * MOTOR PACKAGES (PER SALES ORDER), NOT INCLUDED IN BILL OF MATERIAL:
 F66682030-34: 10 HP FIXED STD
 F66682130-34: 10 HP FIXED LOW SPEED
 F66682230-34: 10 HP VARIABLE LOW SPEED
 F66682330-34: 15 HP FIXED HI SPEED
 F66682430-34: 15 HP VARIABLE HIGH SPEED
 - SEE F66682000 FOR RH FAN HOUSING ASSY.
 - SEE SHEET 2 FOR 10 HP INSTALLATION DETAIL.
 - SEE SHEET 3 FOR 15 HP INSTALLATION DETAIL.

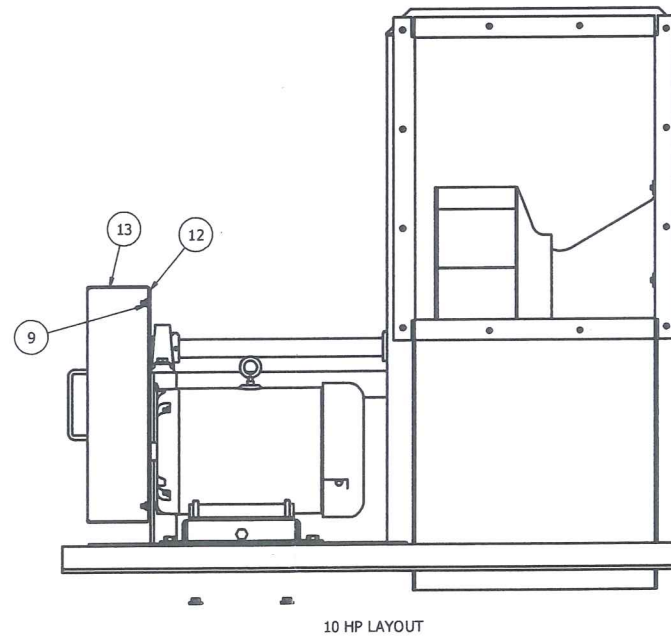
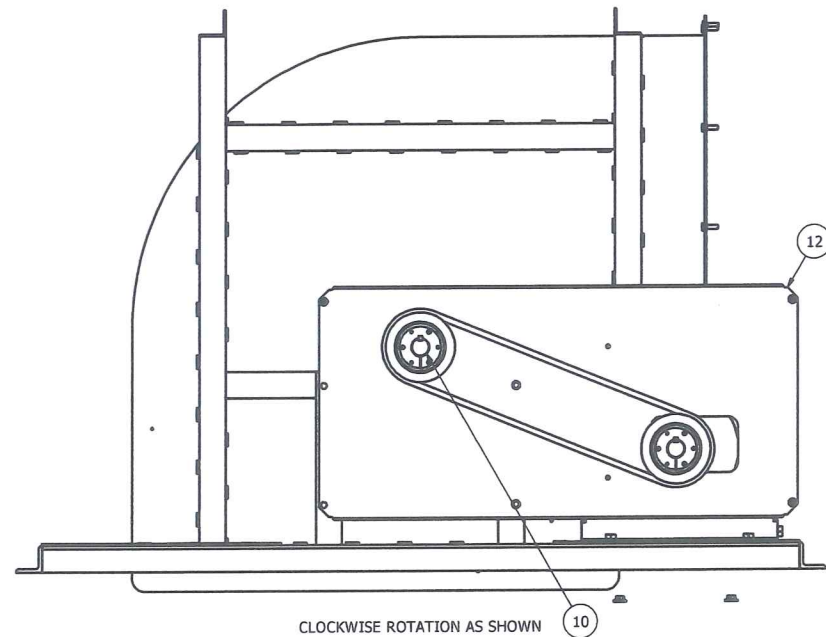
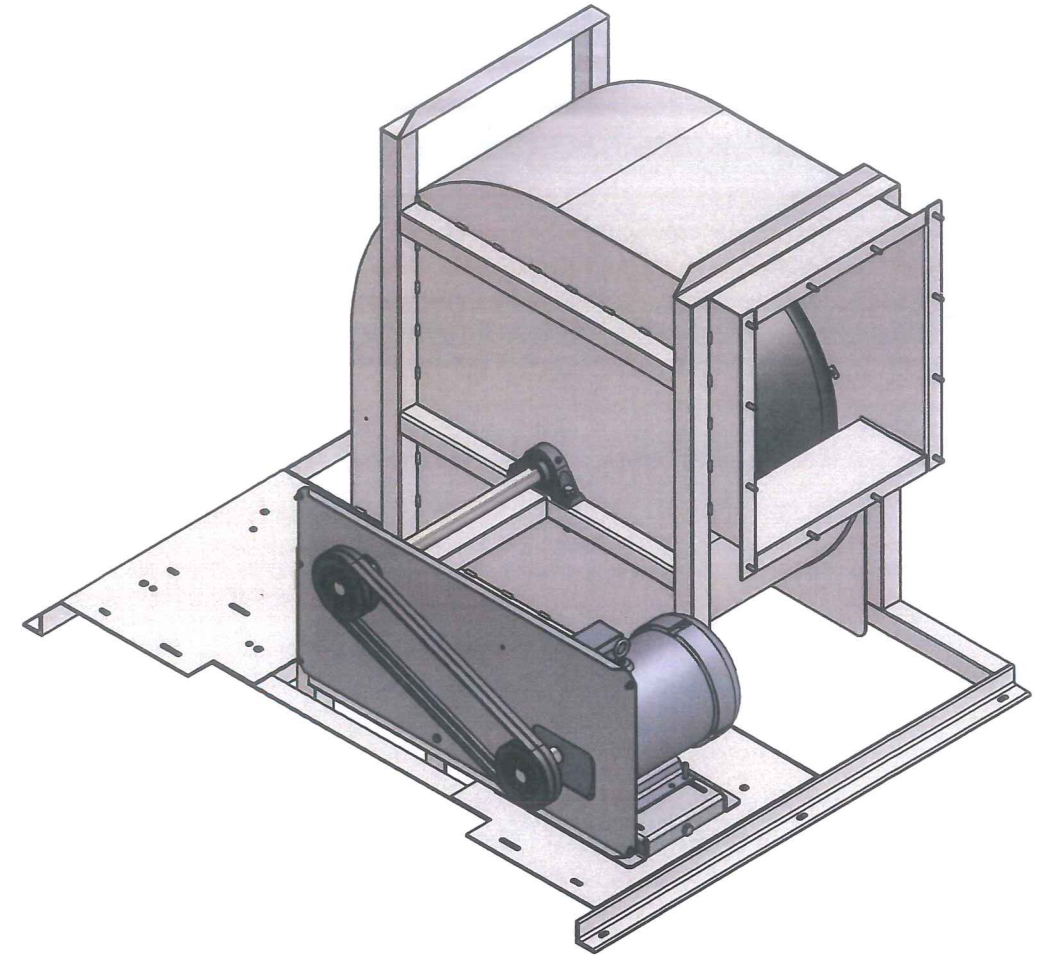
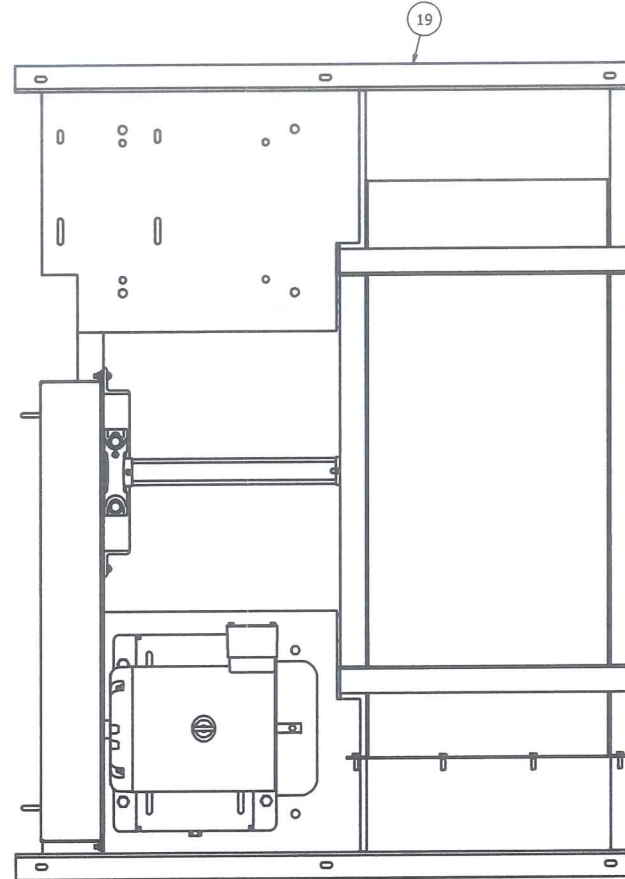
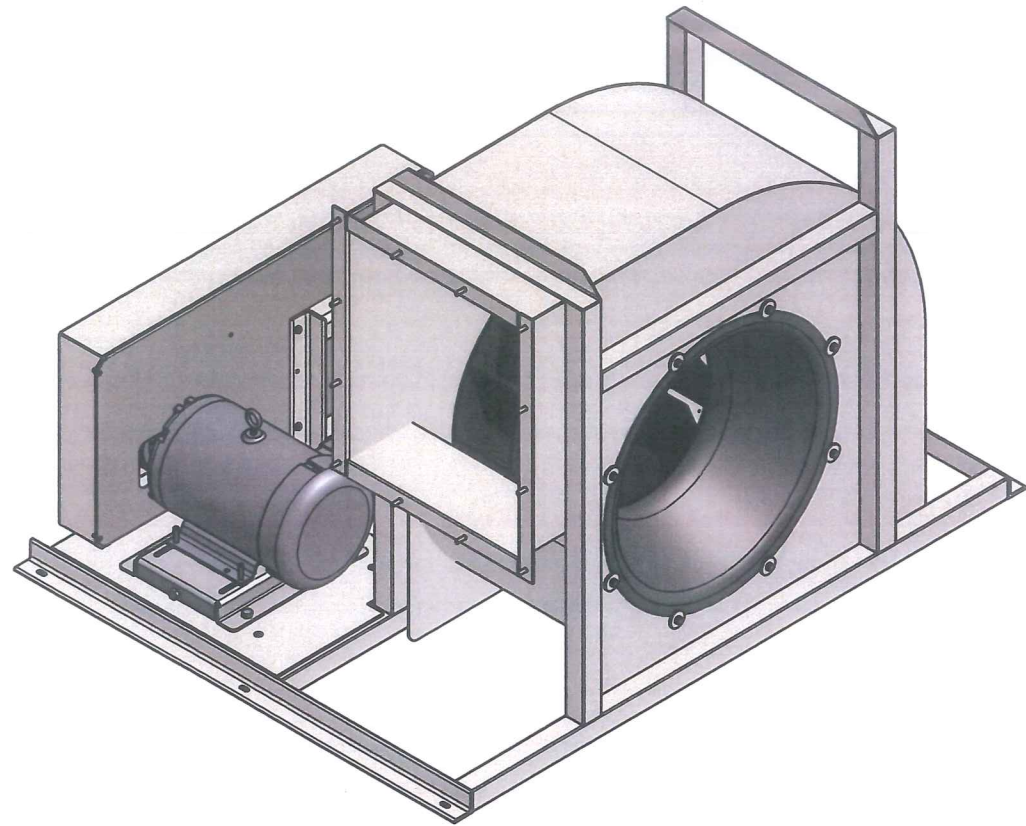
This drawing is the property of the A. T. Ferrell Company, Inc and must be returned immediately upon request. No part of this drawing may be reproduced, stored in a retrieval system or transmitted in any form or by any means, without prior written consent of the A. T. Ferrell Company, Inc

CAD
 NO MANUAL CHANGES
 TOLERANCES EXCEPT AS NOTED

FINISH: NONE
 SCALE: 1:8
 DRAWN BY: dmjohnson
 APPROVED BY: DMJ

TITLE: FAN HOUSING ASSY, RH/RH, TITAN/768MC
 DATE: 9/9/2014
 SIZE: D
 PART NUMBER: F66682003
 SHEET: 1 of 3

REVISION HISTORY				
REV	ECN	DESCRIPTION	DATE	APPROVED
A	F140143	RELEASE	9/9/2014	dmjohnson



ITEM	PART NUMBER	QTY	DESCRIPTION
19	F90006565	1	WLDMT, FAN / MOTOR MOUNT LH
18	F84620134	8	WASHER, FLAT 1.50 X .438 X .18"
17	F80017528	1	FAN WHEEL, CW 1.375" SQB 2225 LH
16	F80017527	1	CONE INLET 100%
15	F66682330	1	MOTOR BACK FAN NG 15HP STANDARD
14	F66682030	1	MOTOR BACK FAN NG 10HP STANDARD
13	F62240089	1	GUARD, FAN MOTOR, TITAN
12	F62240087	1	BACK PLATE, FAN MOTOR, RH, TITAN
11	F40000074	2	BEARING, PB 1.375" RAK
10	F11308831	1	SHAFT, PARALLEL FAN, NG
9	66783300	3	NUT, HEX SERR LOCK 1/4-20
8	66445200	4	WASHER, LOCK HELICAL 1/2"
7	66443800	8	WASHER, LOCK HELICAL 5/16"
6	66405200	8	WASHER, FLAT 1/2" TYPE A
5	66085200	4	NUT, HEX 1/2-13
4	62585246	2	HHCS, 1/2-13 X 3.50"
3	62585233	2	HHCS, 1/2-13 X 2.00"
2	62583817	8	HHCS, 5/16-18 X .75"
1	49000748	1	KEY, SQUARE 5/16 X 3.00"

- NOTES:
- DO NOT SCALE FROM DRAWING.
 - MOTOR PACKAGES (PER SALES ORDER):
 F66682030-34: 10 HP FIXED STD
 F66682130-34: 10 HP FIXED LOW SPEED
 F66682230-34: 10 HP VARIABLE LOW SPEED
 F66682330-34: 15 HP FIXED HI SPEED
 F66682430-34: 15 HP VARIABLE HIGH SPEED
 - SEE F66682000 FOR RH FAN HOUSING ASSY.
 - SEE SHEET 2 FOR 10 HP INSTALLATION DETAIL.
 - SEE SHEET 3 FOR 15 HP INSTALLATION DETAIL.

This drawing is the property of the A.T. Ferrell Company, Inc and must be returned immediately upon request. No part of this drawing may be reproduced, stored in a retrieval system or transmitted in any form or by any means, without prior written consent of the A.T. Ferrell Company, Inc

CAD
NO MANUAL CHANGES

TOLERANCES
EXCEPT AS NOTED

DECIMAL: .005
XX # .030

FRACTIONAL: 1/32

ANGULAR: 1/2°

DIVISION OF A. T. FERRELL COMPANY
BLUFFTON, INDIANA - USA

FINISH: NONE

SCALE: 1:8

DRAWN BY: dmjohnson

APPROVED BY: DMJ

TITLE: FAN HOUSING ASSY, RH/RH, TITAN/768MC

DATE: 9/9/2014

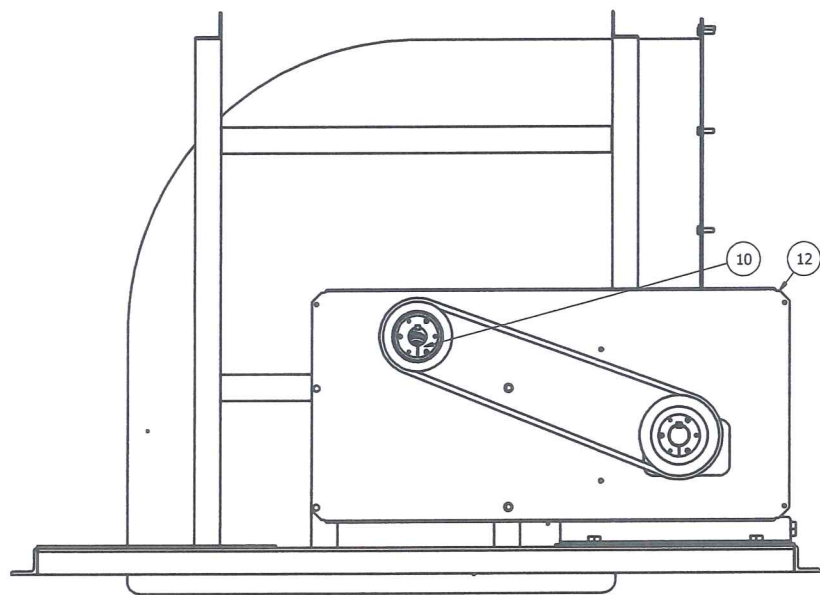
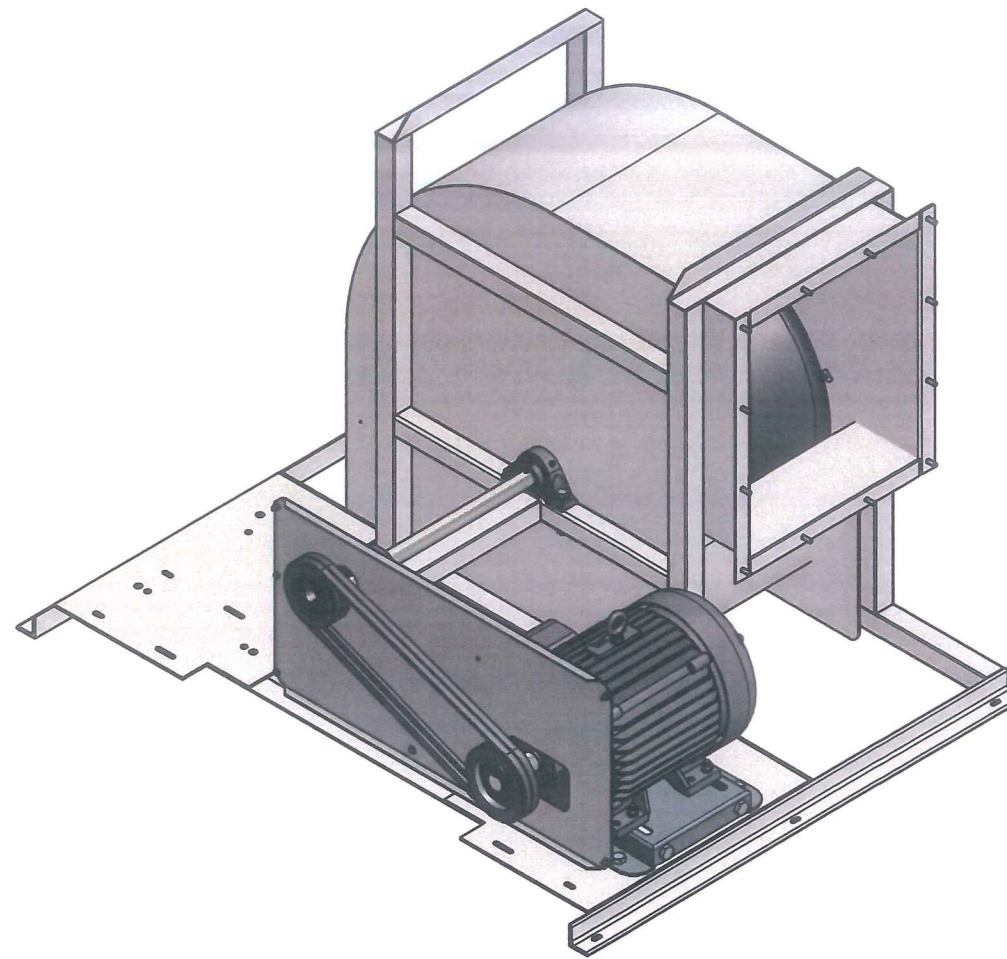
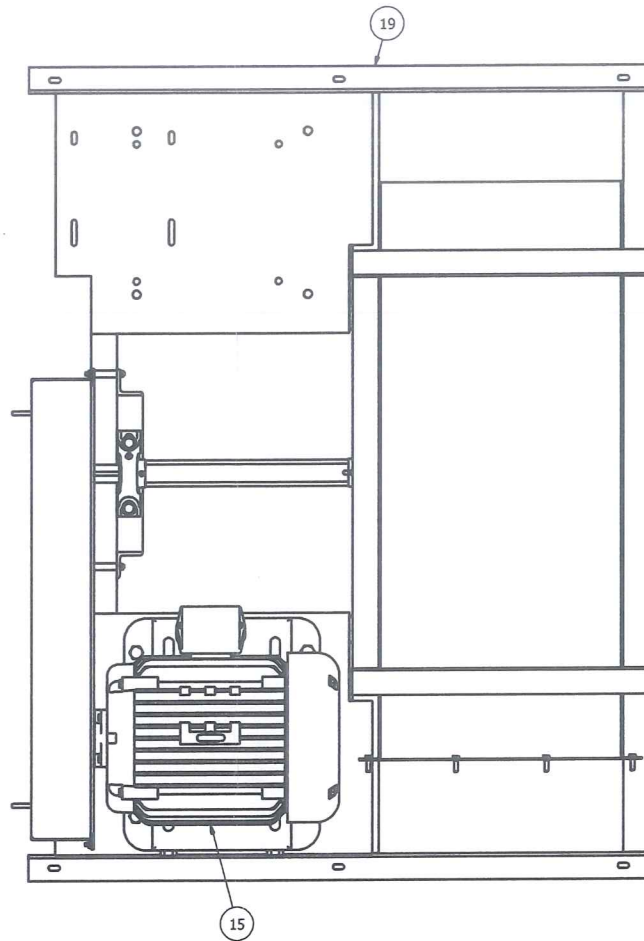
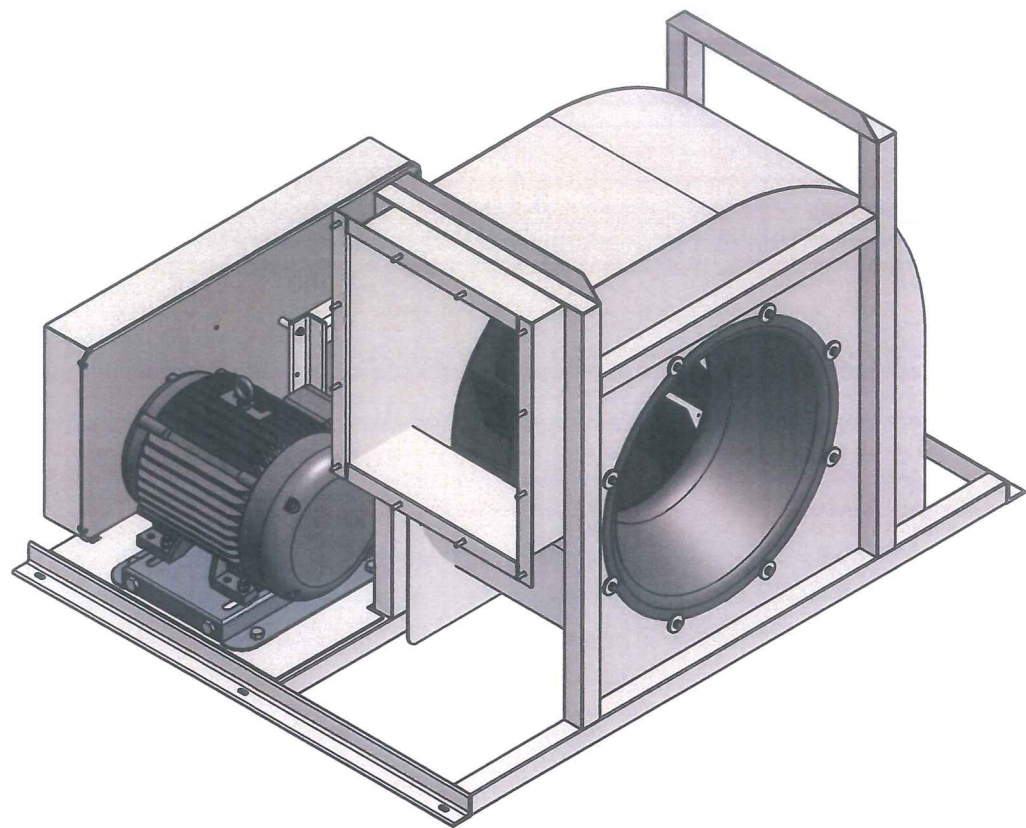
SIZE: D

PART NUMBER: F66682003

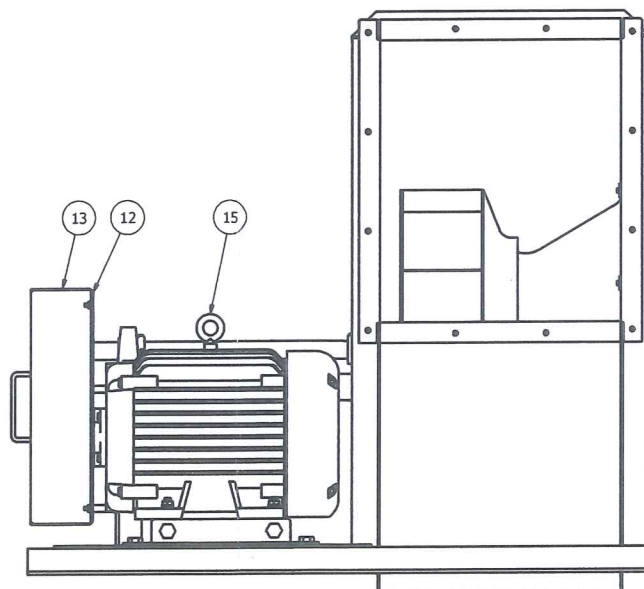
SHEET: 2 of 3

F66682003

REVISION HISTORY				
REV	ECN	DESCRIPTION	DATE	APPROVED
A	F140143	RELEASE	9/9/2014	dmjohnson



CLOCKWISE ROTATION AS SHOWN



15 HP LAYOUT

- NOTES:
- DO NOT SCALE FROM DRAWING.
 - MOTOR PACKAGES (PER SALES ORDER):
 F66682030-34: 10 HP FIXED STD
 F66682130-34: 10 HP FIXED LOW SPEED
 F66682230-34: 10 HP VARIABLE LOW SPEED
 F66682330-34: 10 HP FIXED HI SPEED
 F66682430-34: 15 HP VARIABLE HIGH SPEED
 - SEE F66682000 FOR RH FAN HOUSING ASSY.
 - SEE SHEET 2 FOR 10 HP INSTALLATION DETAIL.
 - SEE SHEET 3 FOR 15 HP INSTALLATION DETAIL.

ITEM	PART NUMBER	QTY	DESCRIPTION
19	F90006565	1	WLDMT, FAN / MOTOR MOUNT LH
18	F84620134	8	WASHER, FLAT 1.50 X .438 X .18"
17	F80017528	1	FAN WHEEL, CW 1.375" SQB 2225 LH
16	F80017527	1	CONE INLET 100%
15	F66682330	1	MOTOR BACK FAN NG 15HP STANDARD
14	F66682030	1	MOTOR BACK FAN NG 10HP STANDARD
13	F62240089	1	GUARD, FAN MOTOR, TITAN
12	F62240087	1	BACK PLATE, FAN MOTOR, RH, TITAN
11	F4000074	2	BEARING, PB 1.375" RAK
10	F11308831	1	SHAFT, PARALLEL FAN, NG
9	66783300	3	NUT, HEX SERR LOCK 1/4-20
8	66445200	4	WASHER, LOCK HELICAL 1/2"
7	66443800	8	WASHER, LOCK HELICAL 5/16"
6	66405200	8	WASHER, FLAT 1/2" TYPE A
5	66085200	4	NUT, HEX 1/2-13
4	62585246	2	HHCS, 1/2-13 X 3.50"
3	62585233	2	HHCS, 1/2-13 X 2.00"
2	62583817	8	HHCS, 5/16-18 X .75"
1	49000748	1	KEY, SQUARE 5/16 X 3.00"

This drawing is the property of the A.T. Ferrell Company, Inc and must be returned immediately upon request. No part of this drawing may be reproduced, stored in a retrieval system or transmitted in any form or by any means, without prior written consent of the A.T. Ferrell Company, Inc

CAD
NO MANUAL CHANGES

TOLERANCES
EXCEPT AS NOTED

DECIMAL: .005
FRACTIONAL: 1/32
ANGULAR: ± 1/2'

FINISH: NONE

SCALE: 1:8

DRAWN BY: dmjohnson

APPROVED BY: DMJ

TITLE: FAN HOUSING ASSY, RH/RH, TITAN/768MC

DATE: 9/9/2014

SIZE: D

PART NUMBER: F66682003

SHEET: 3 of 3

F66682003