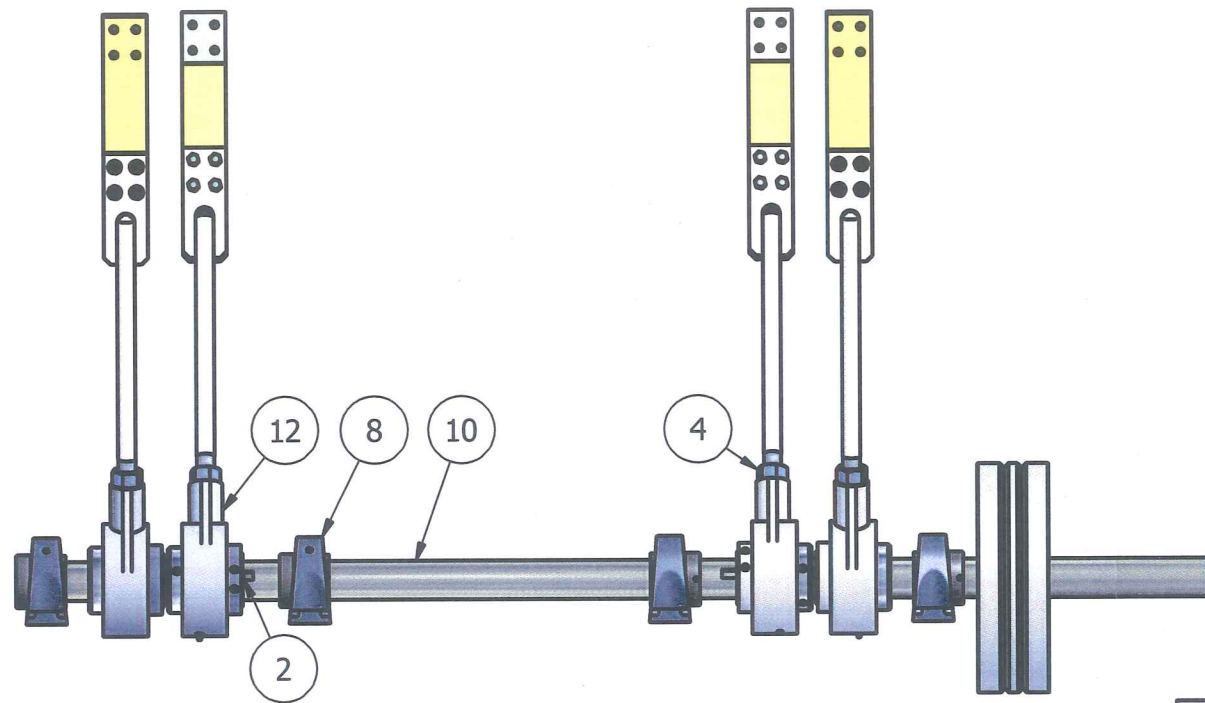
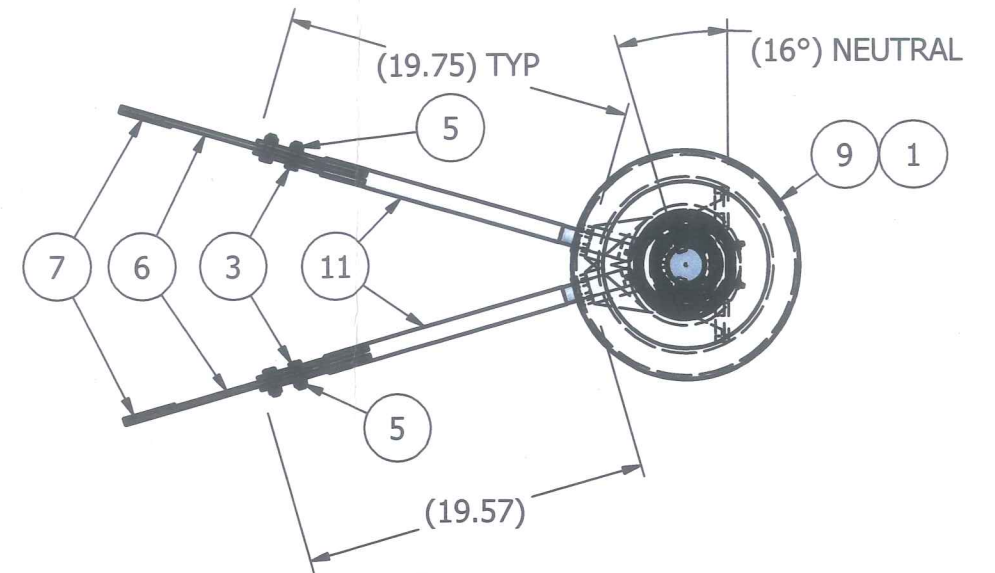
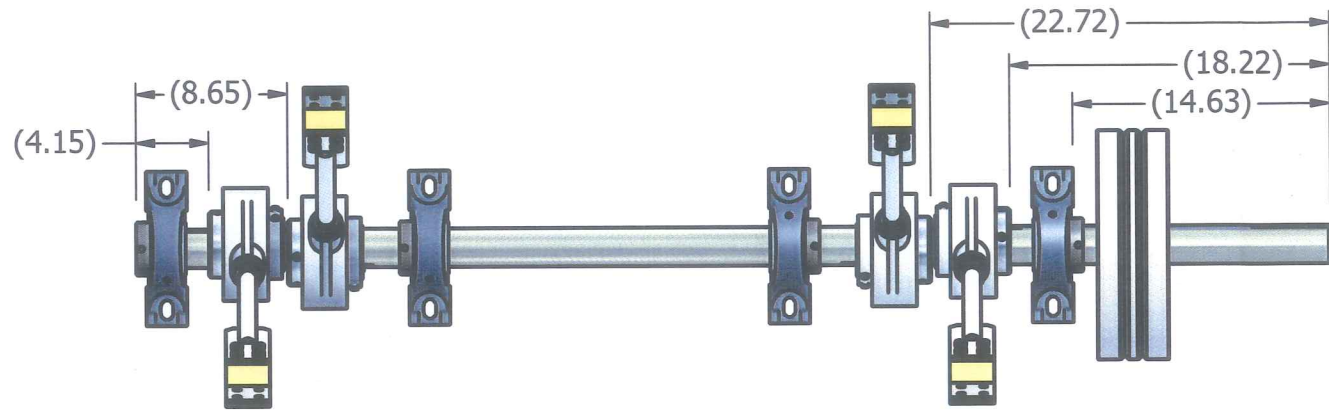


REVISION HISTORY

REV	ECN	DESCRIPTION	DATE	APPROVED
A	F100171	REDRAWN IN INVENTOR, UPDATED ASSY	8/16/2010	SH

NOTES:
1. DO NOT SCALE FROM DRAWING.



ITEM	PART NUMBER	QTY	DESCRIPTION
12	F92053051	4	ECCENTRIC ASSY, 2.18 BRG .50 THROW NG
11	F90006027	4	PITMAN ARM WLDMT, NG
10	F67680067	1	SHAFT, ECC LH 2.188" 768MC
9	F62240060	1	FLYWHEEL WLDMT, TITAN
8	F40000081	4	BEARING, PB 2.188" RAK
7	F11303666	4	BACK PLATE, PITMAN CONN, ECCENTRIC, NG
6	F11303662	4	CONNECTOR, PITMAN ECCENTRIC, NG
5	66784400	16	NUT, HEX SERR LOCK 3/8-16
4	66087400	4	NUT, HEX 1-8
3	62584426	16	HHCS, 3/8-16 X 1.25"
2	49001064	4	KEY, 1/2" SQ X 4.00"
1	49001048	1	KEY, 1/2" SQ X 3.00"

This drawing is the property of the A.T. Ferrell Company, Inc and must be returned immediately upon request. No part of this drawing may be reproduced, stored in a retrieval system or transmitted in any form or by any means, without prior written consent of the A.T. Ferrell Company, Inc

CAD NO MANUAL CHANGES TOLERANCES EXCEPT AS NOTED DECIMAL: xxx ± .005 xx ± .030 FRACTIONAL: ± 1/32 ANGULAR: ± 1/2'				
	DIVISION OF A. T. FERRELL COMPANY		BLUFFTON, INDIANA - USA	
FINISH: NONE	SCALE: 0.09:1	DRAWN BY: SAH	APPROVED BY: DJ	
TITLE: ECCENTRIC ASSY, 2.19 768MC, AC LH				
DATE: 8/12/2010	SIZE: B	PART NUMBER: F67680015	SHEET: 1 of 1	

F67680015

B

A

A

2

1

2

1