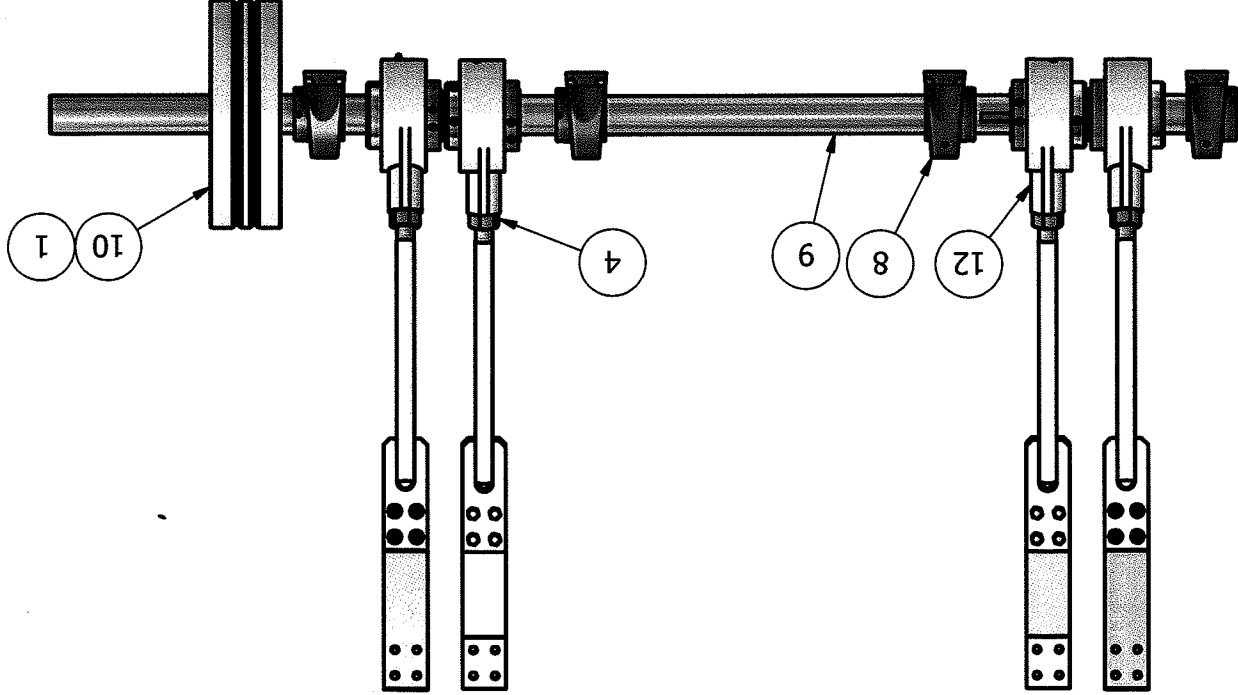
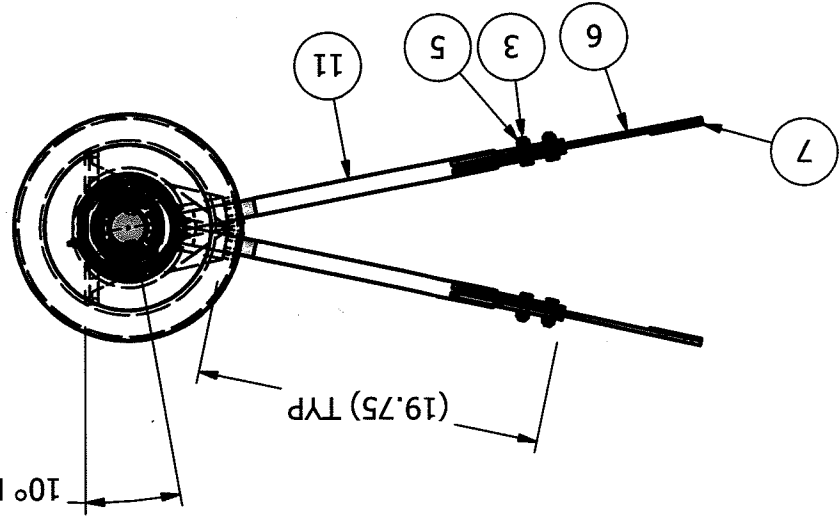
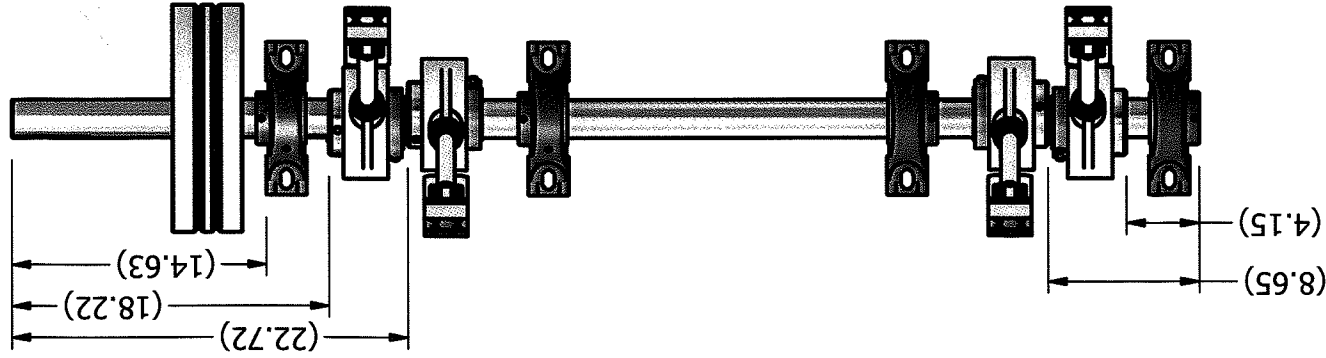


REV	A
ECN	F100171

REVISION HISTORY

DESCRIPTION	RELEASED	DATE	APPROVED
		8/16/2010	SH

NOTES:
1. DO NOT SCALE FROM DRAWING.



ITEM	PART NUMBER	QTY	DESCRIPTION
12	F92053051	4	ECCENTRIC ASSY, 2.18 BRG .50 THROW NG
11	F90006027	4	PITMAN ARM WLDMT, NG
10	F62240060	1	FLYWHEEL WLDMT, TITAN
9	F62240057	1	SHAFT, ECC LH 2.188" TITAN
8	F40000081	4	BEARING, PB 2.188" RAK
7	F11303666	4	BACK PLATE, PITMAN CONN, ECCENTRIC, NG
6	F11303662	4	CONNECTOR, PITMAN ECCENTRIC, NG
5	66784400	16	NUT, HEX SERR LOCK 3/8-16
4	66087400	4	NUT, HEX 1-8
3	62584426	16	HHCS, 3/8-16 X 1.25"
2	49001064	4	KEY, 1/2" SQ X 4.00"
1	49001048	1	KEY, 1/2" SQ X 3.00"

CAD
NO MANUAL CHANGES EXCEPT AS NOTED

This drawing is the property of the A.T. Ferrell Company, Inc and must be returned immediately upon request. No part of this drawing may be reproduced, stored in a retrieval system or transmitted in any form, or by any means, without prior written consent of the A.T. Ferrell Company, Inc

TOLERANCES
EXCEPT AS NOTED

ANGULAR: ± 1/2°	DATE: 8/16/2010	SIZE: B	PART NUMBER: F67680017
FRACTIONAL: ± 1/32	TITLE: ECCENTRIC ASSY, 2.19 768MC, AC LH 10 DEG	FINISH: NONE	SCALE: 0.09:1
DECIMAL: .xxx ± .005	APPROVED BY: DJ	DRAWN BY: SAH	BLUFFTON, INDIANA - USA



F67680017