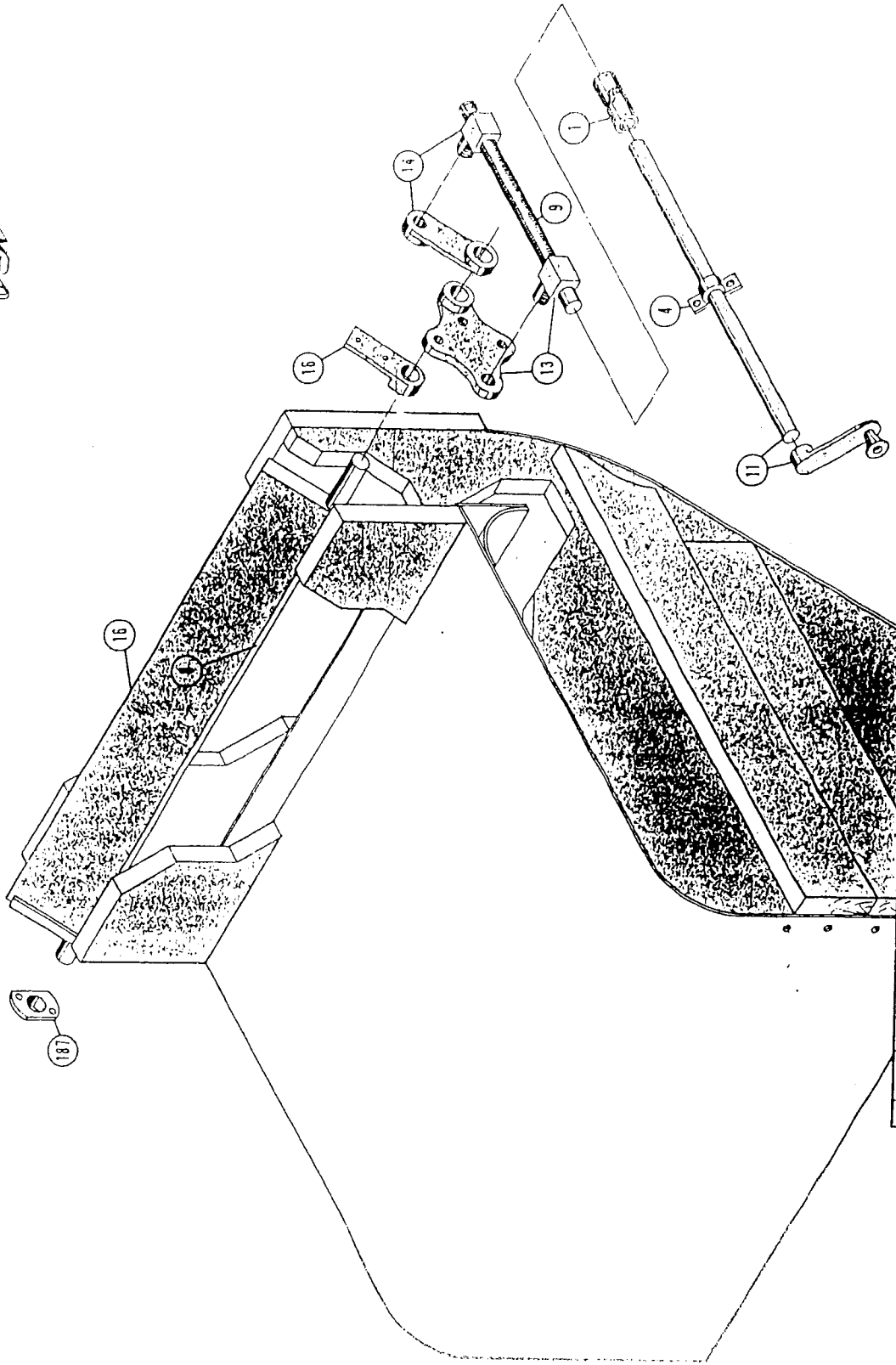
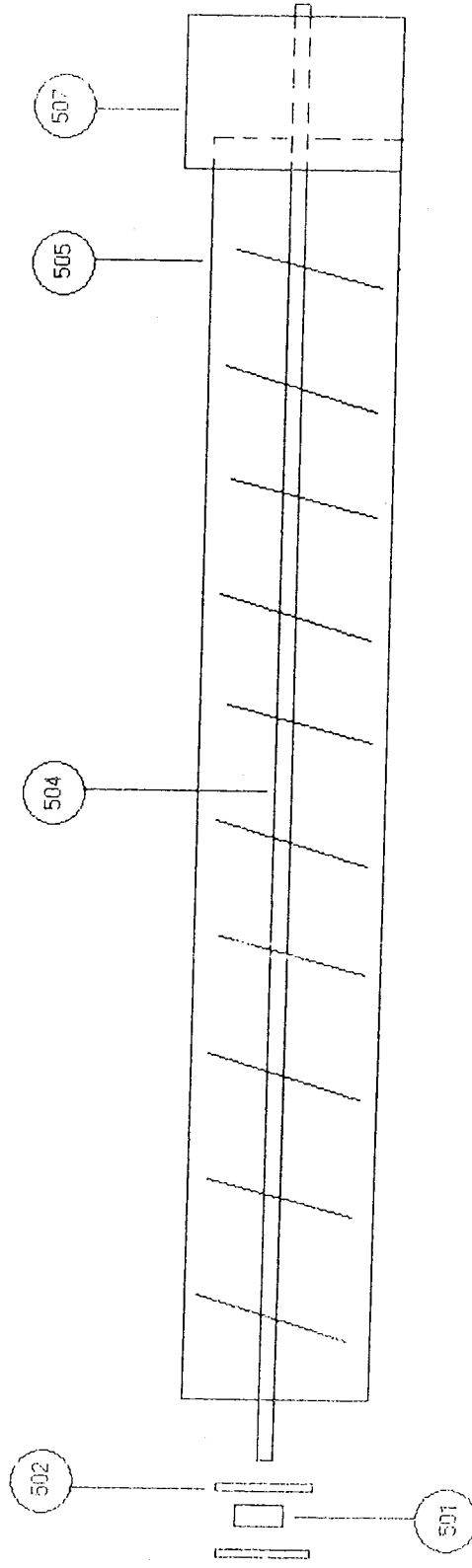


BACK AIR DAMPER : TOP FAN SECTION

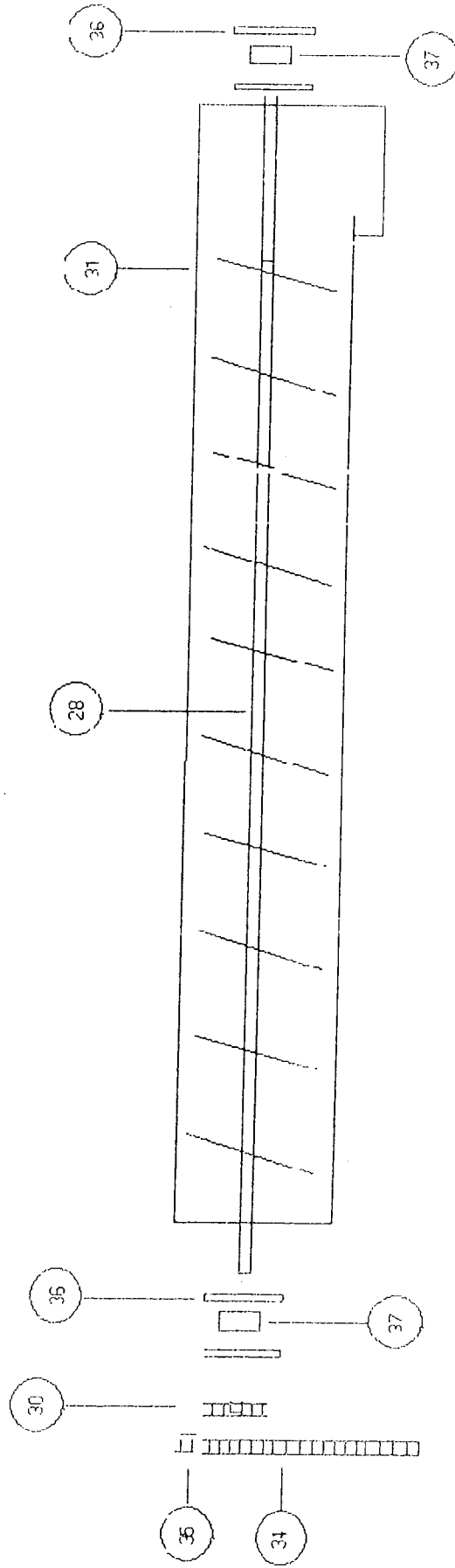


DWG NO.		DRAWN BY		SCALE		DATE	
FERRELL - ROSS		back air damper					
SAGINAW MICH							
MACH NO.							
DWS NO.							
REV	DATE	BY	REVISION				

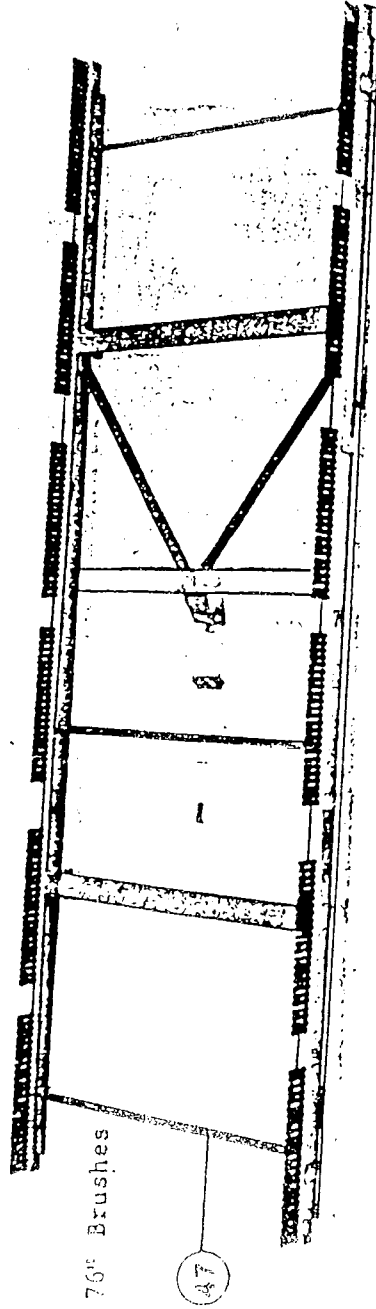
Top Air Discharge Auger Assembly with Flapper Valve



Back Air Discharge Auger Assembly



BRUSH CARRIER AND BRUSH RAISING PARTS FOR CLEANERS WITH
86" LONG SCREENS AND 1-3/16" DIA. BRUSH RODS



F 100-01220 76" Brushes

47

43

35

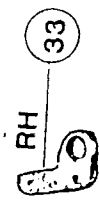
36



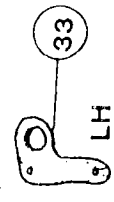
34
RH SHOWN



28
LH SHOWN



33
RH



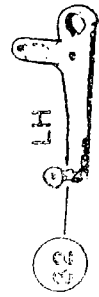
33
LH



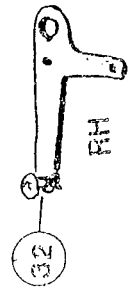
31
LH SHOWN



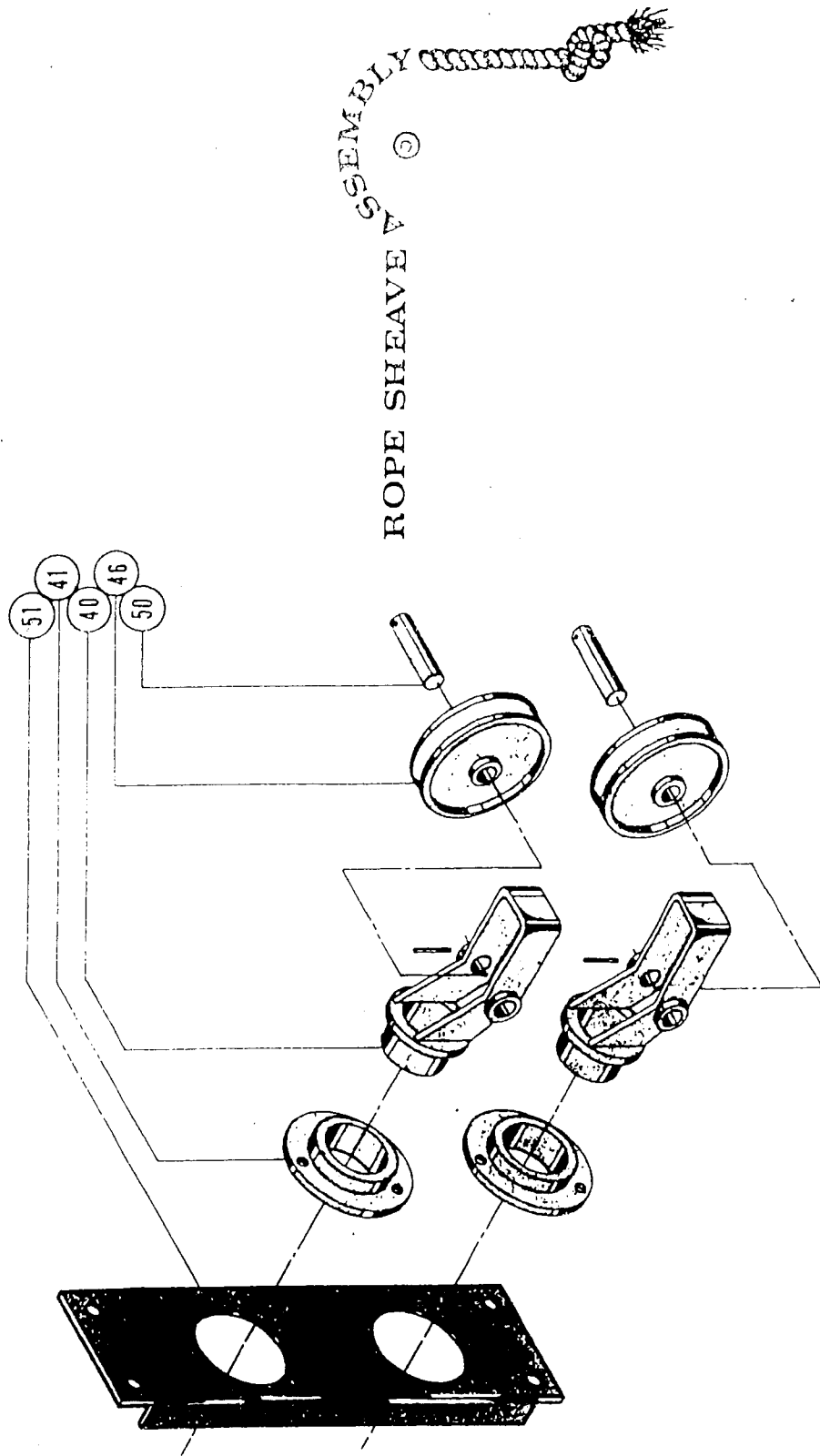
29



32
LH



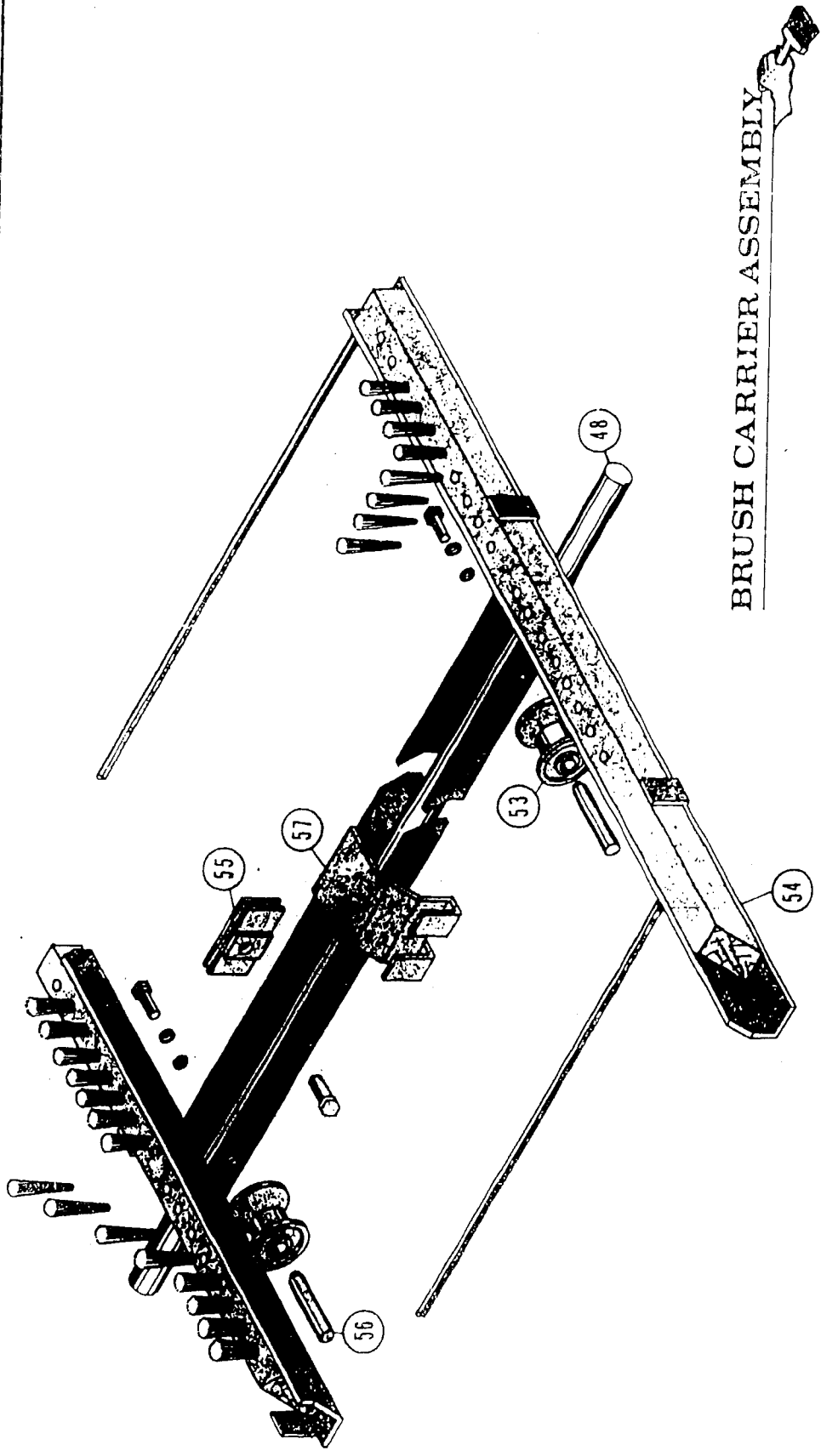
32
RH



ROPE SHEAVE ASSEMBLY

51 41 40 46 50

SYN	REVISION	DATE	BY	OWN
DWG BY JDS				SCALE
DATE 12-19-77				
rope sheave assembly				
FERRELL - ROSS			MACH NO	
SAGINAW MICH				
DWG NO				



BRUSH CARRIER ASSEMBLY

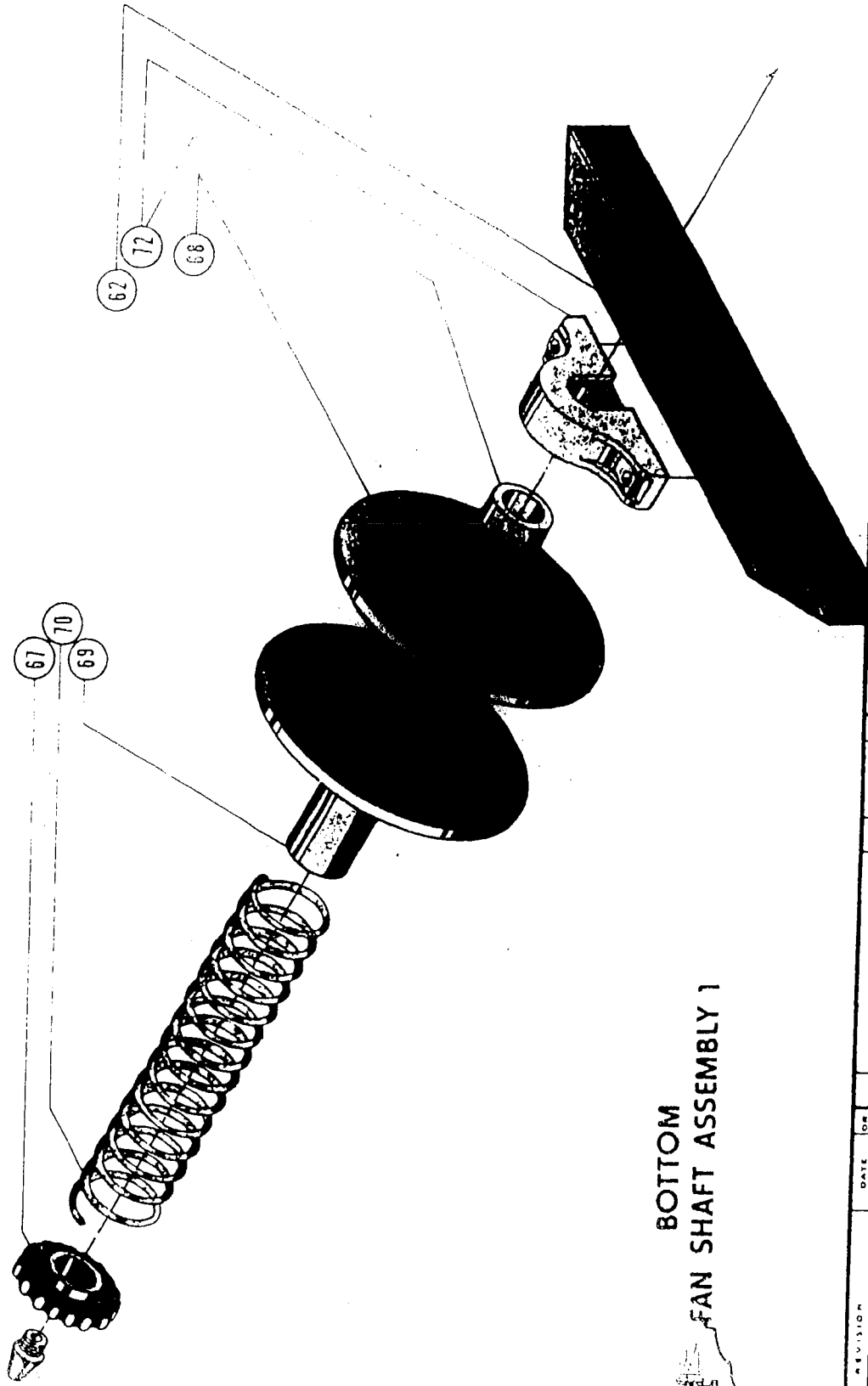
FERRELL - ROSS
SAGINAW, MICH
MACH NO
DWG NO

brush carrier assembly

DATE 12-18-77
DRAWN BY J.D.S. SCALE

REV.	REVISION	DATE	BY

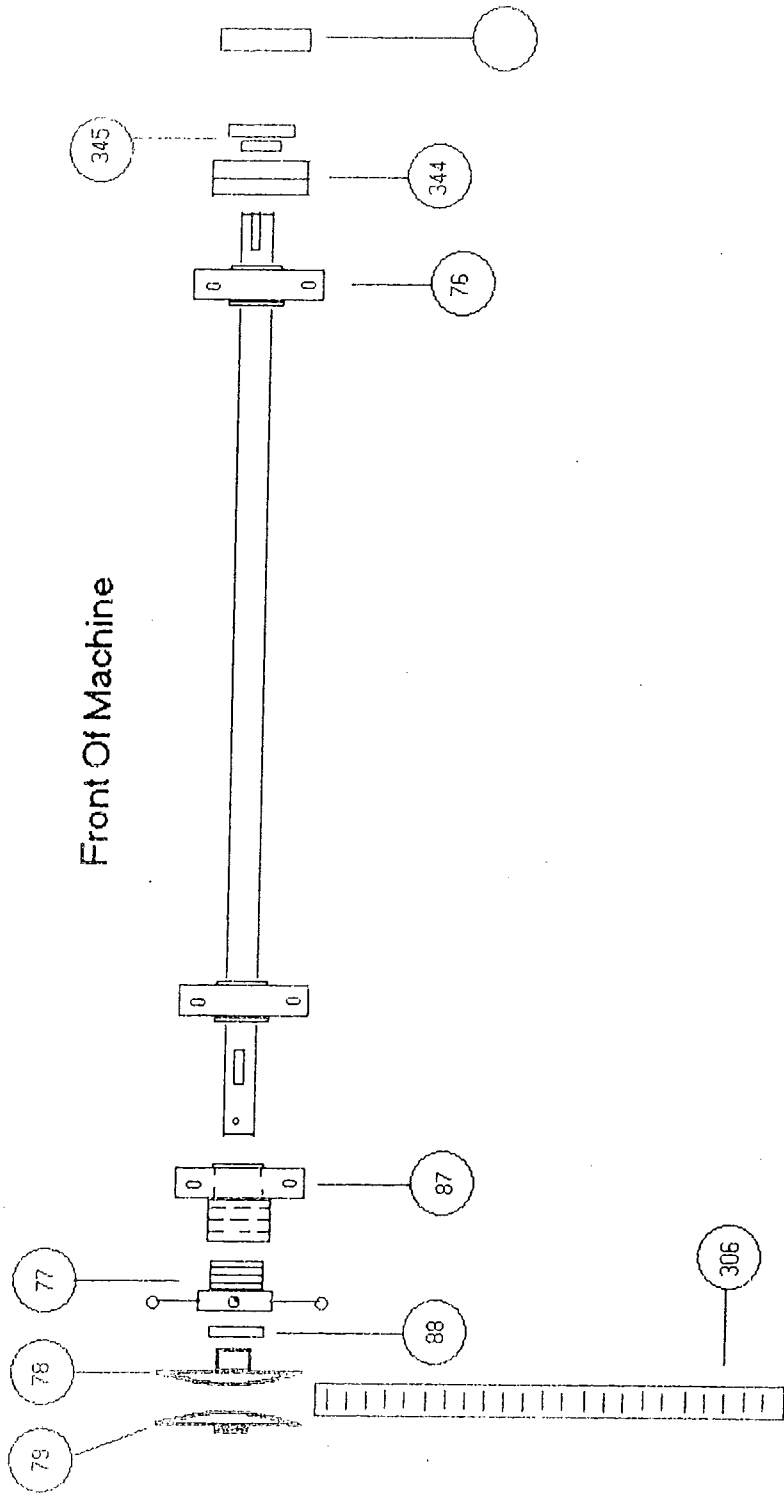
DATE: 12-28-77



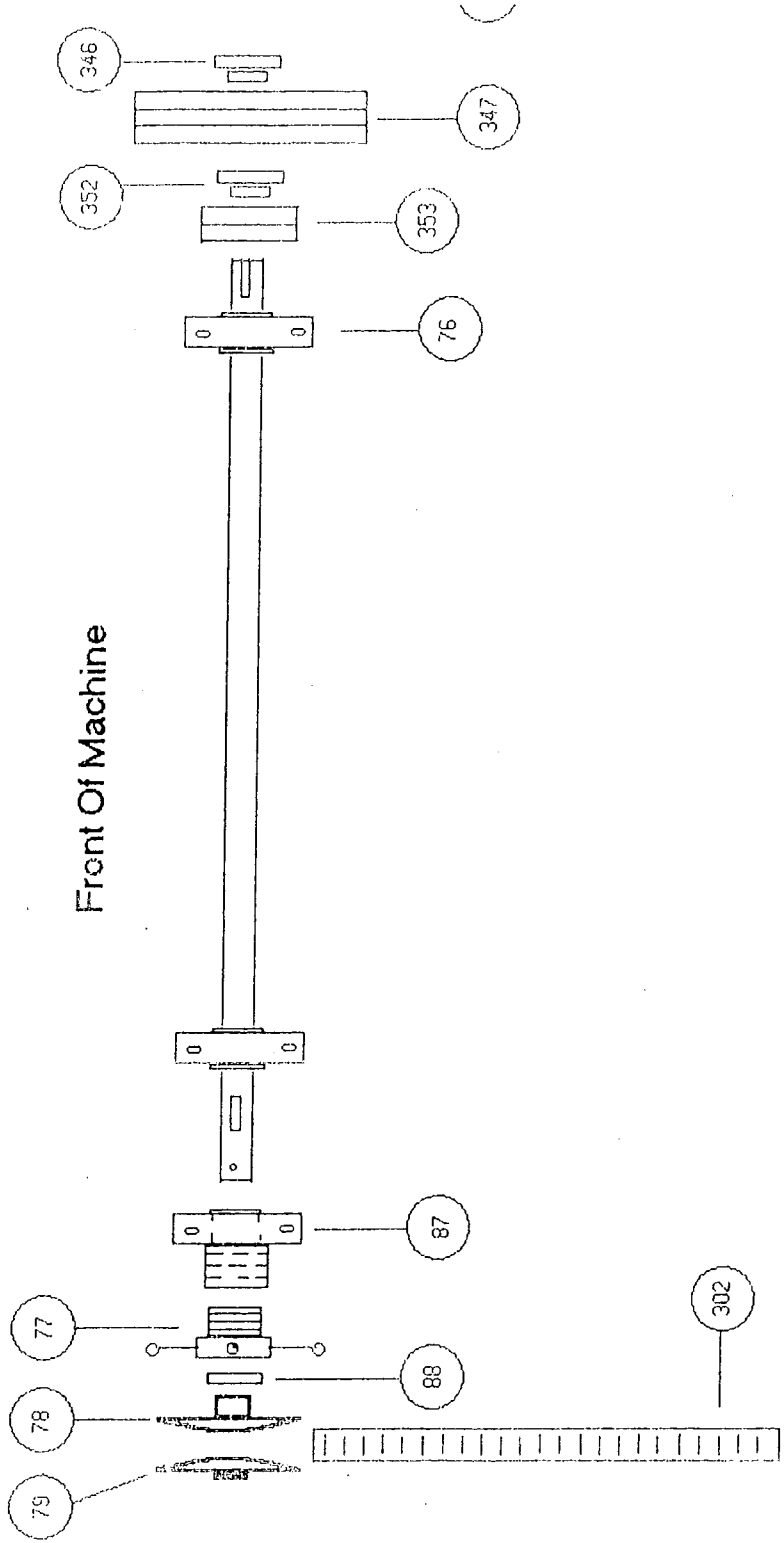
**BOTTOM
FAN SHAFT ASSEMBLY 1**

REV. NO.		DATE		OR		REVISION		JOB		SCALE		DATE		DWG. NO.	
fan shaft assembly 1												FERRELL - ROSS		MACH. NO.	
												SAGINAW, MICH.			

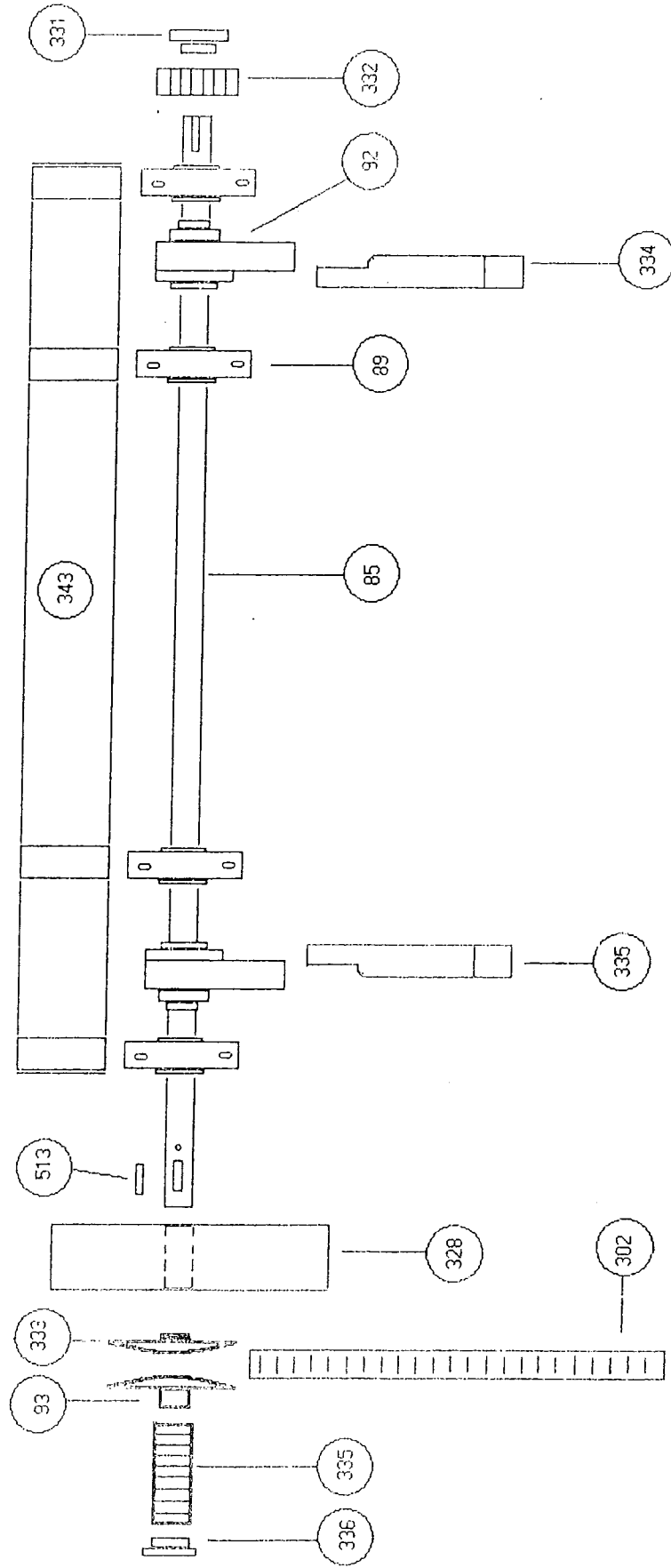
Bottom Countershaft for 2248



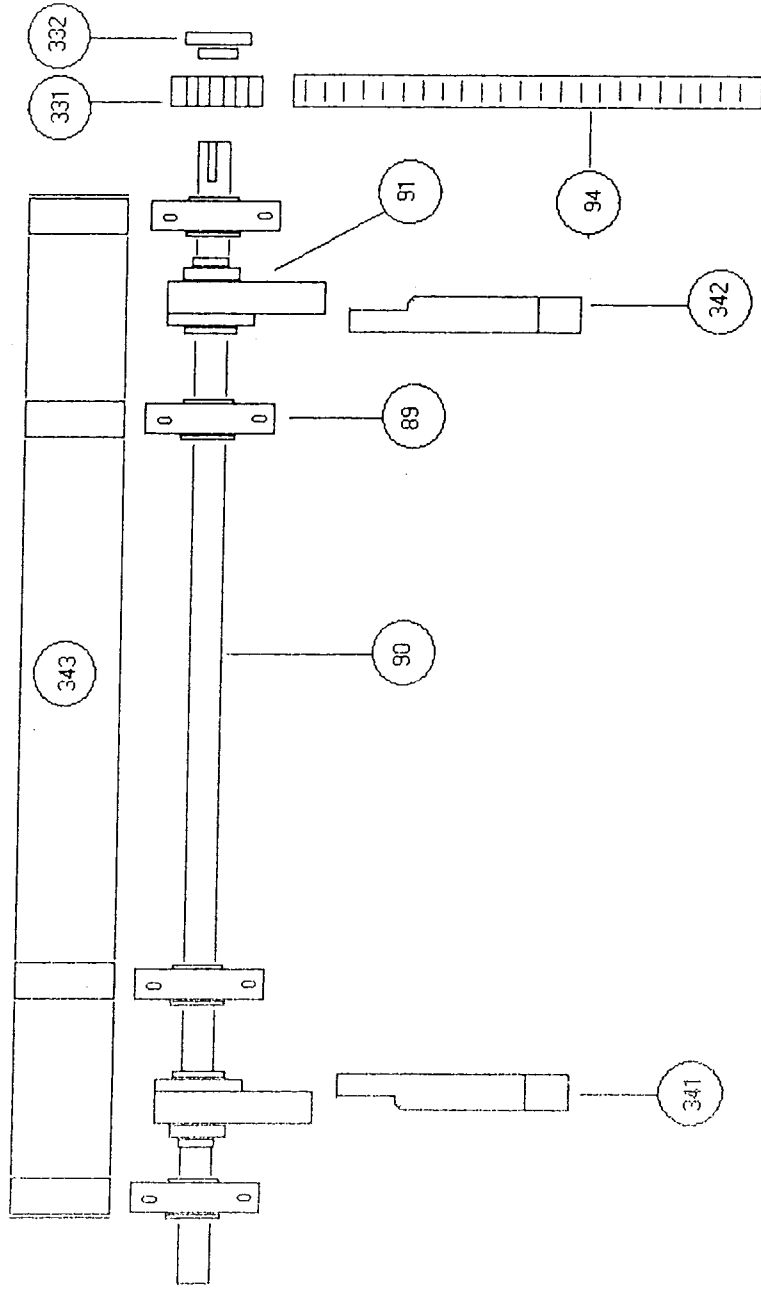
Top Countershaft for 2248

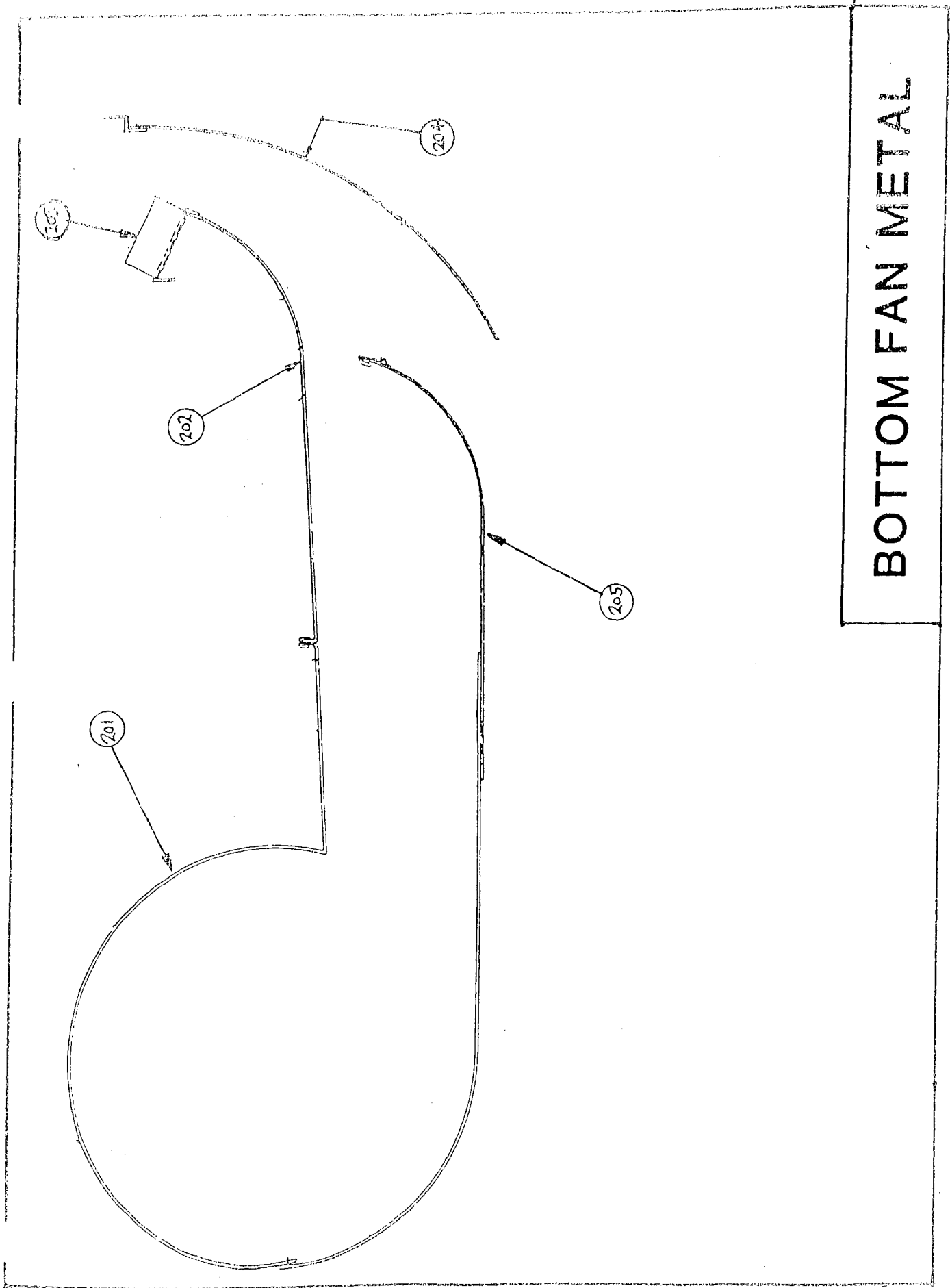


Eccentric Shaft For 2248



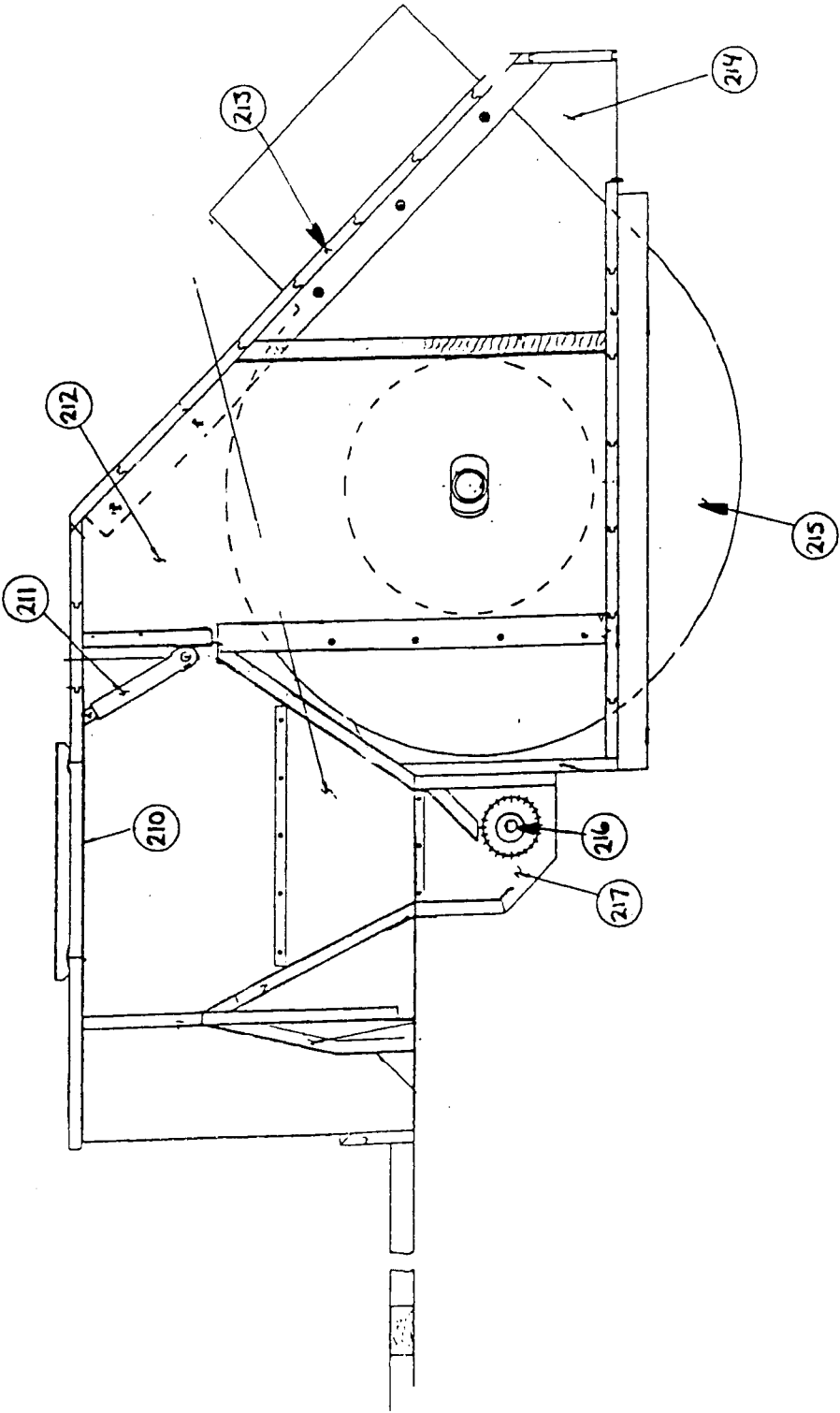
Eccentric Shaft For 2248

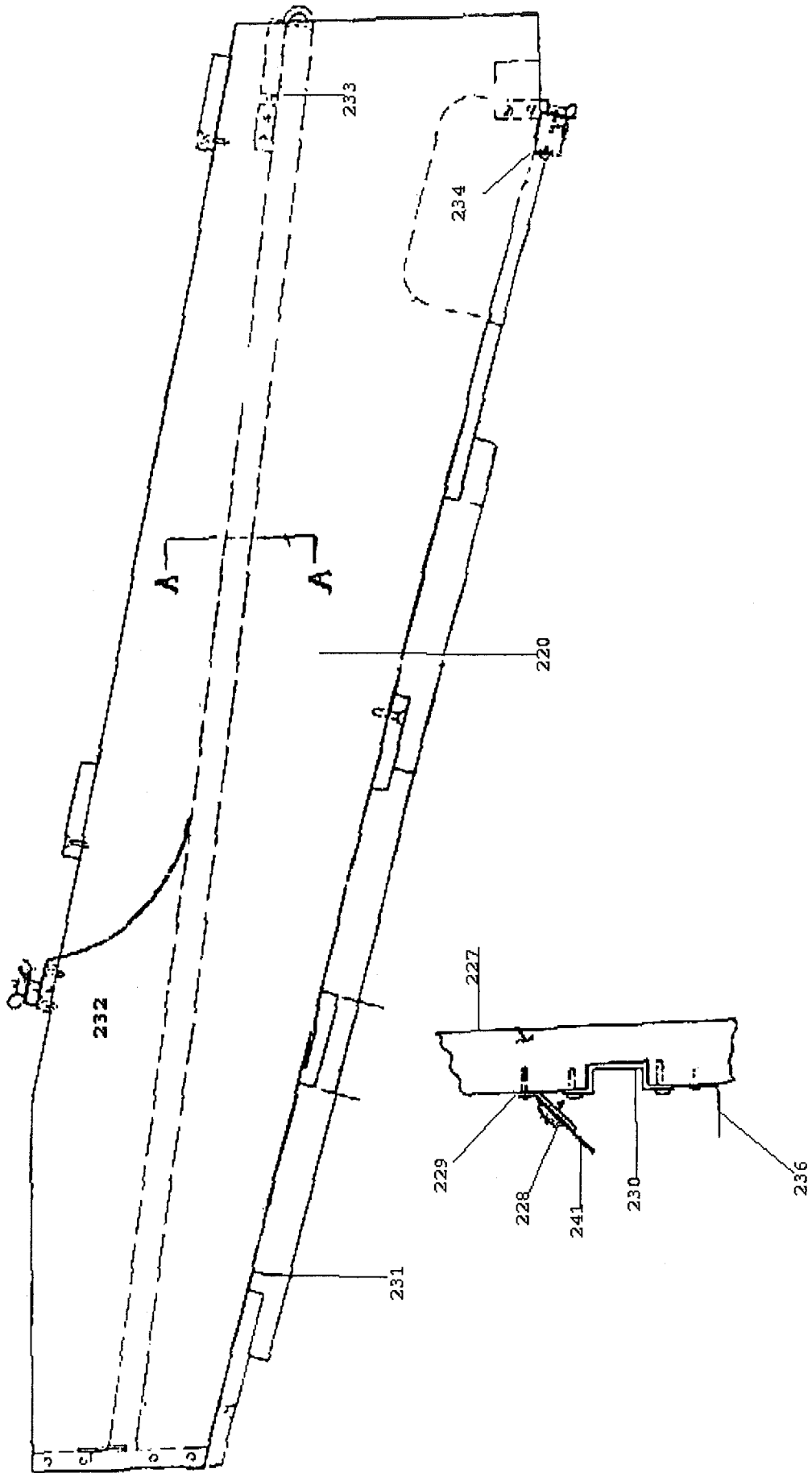




BOTTOM FAN METAL

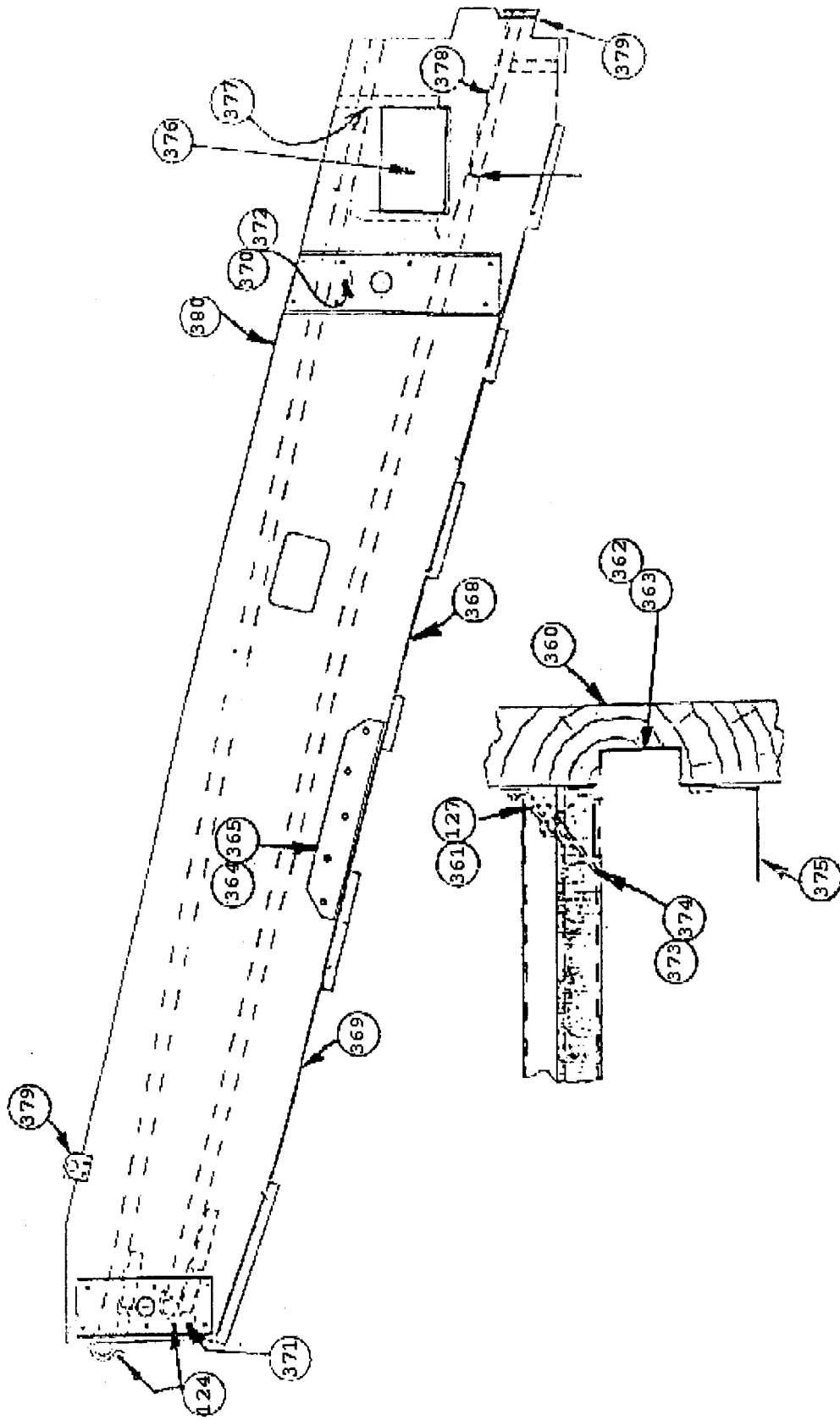
AIR TRUNK



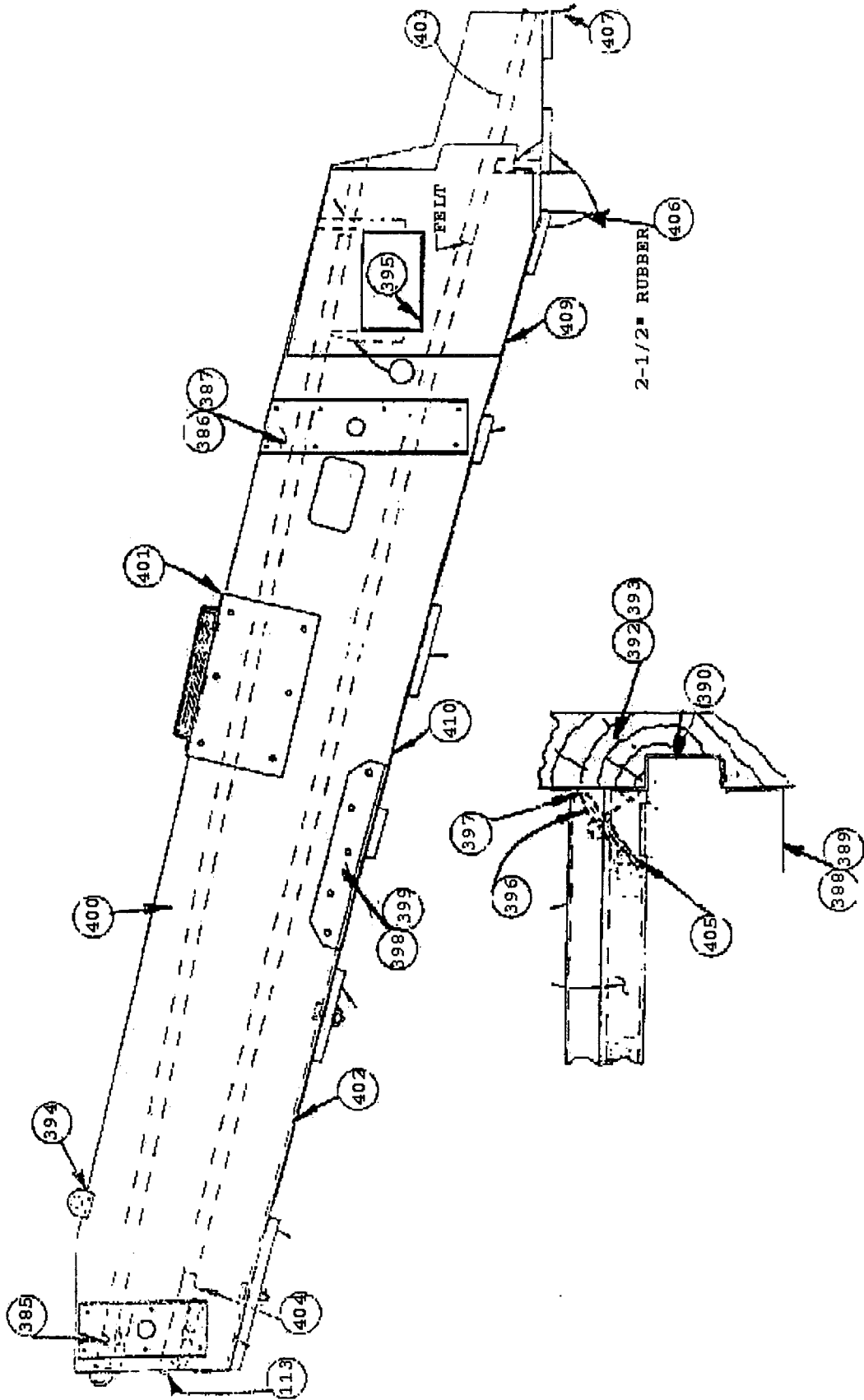


SECTION A A
 FULL SCALE

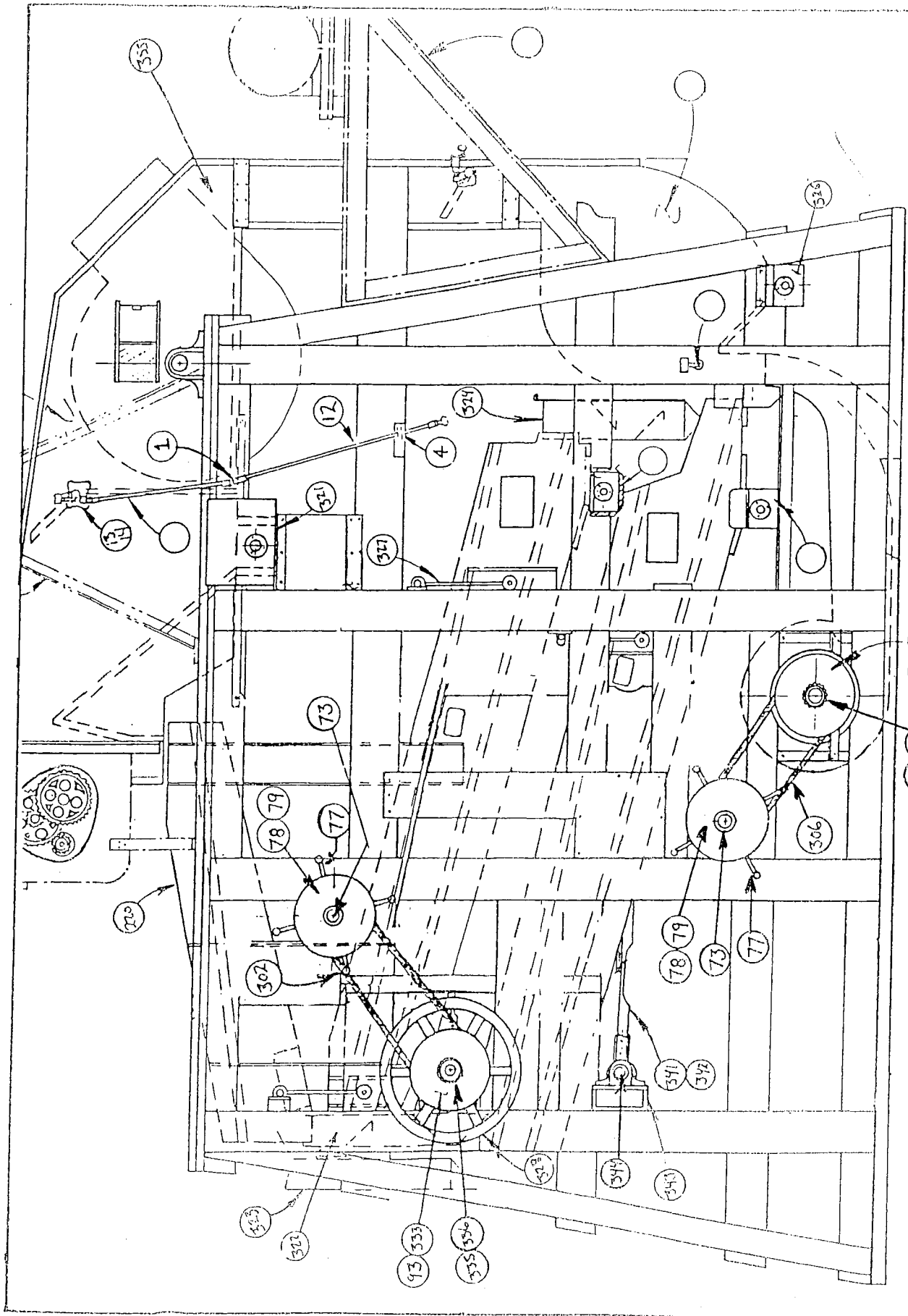
SCALPER SHOE



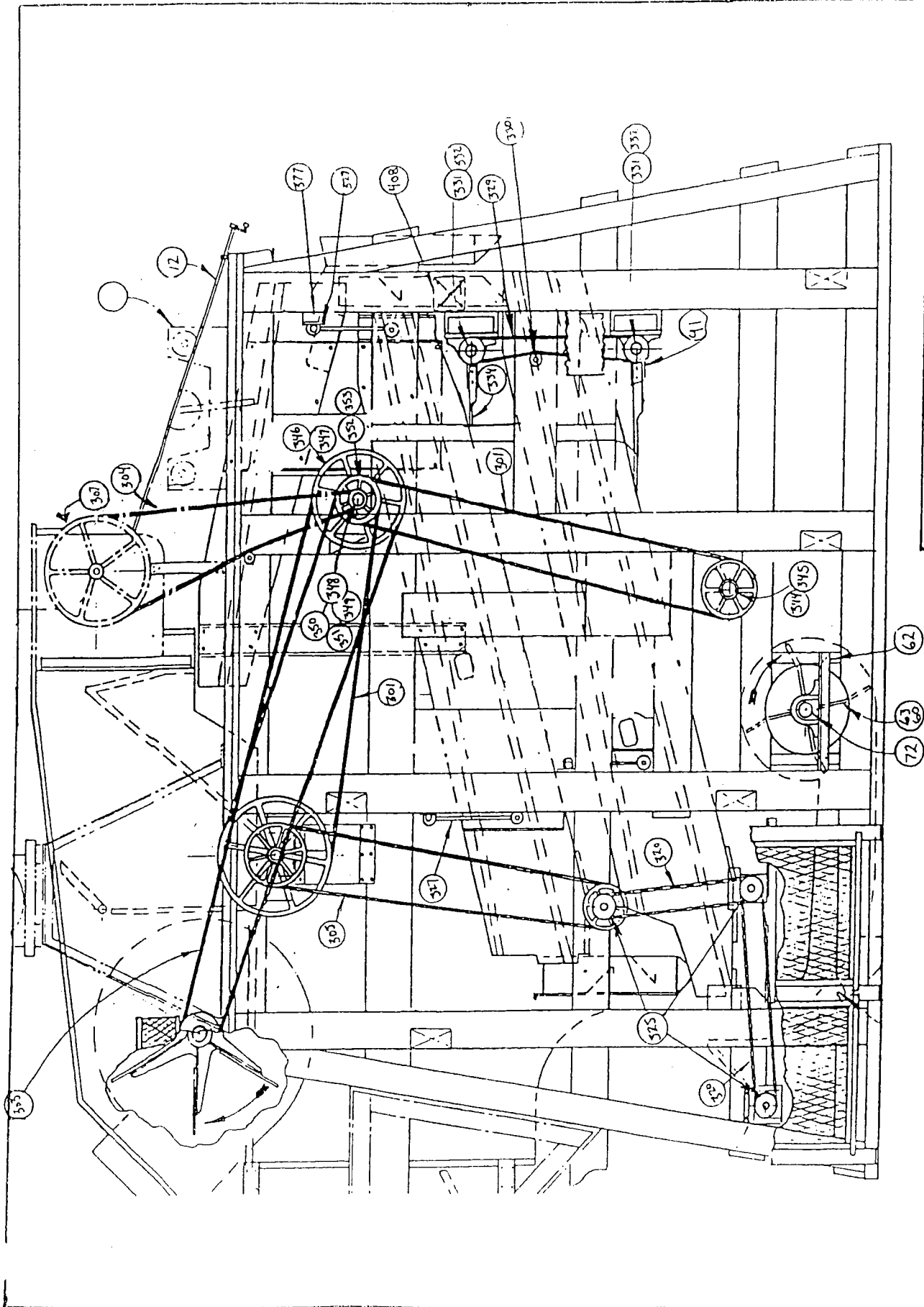
TOP SHOE



BOTTOM SHOE



GENERAL PARTS



GENERAL PARTS

LEFT HAND SIDE